



JOB NAME:

CAT#:

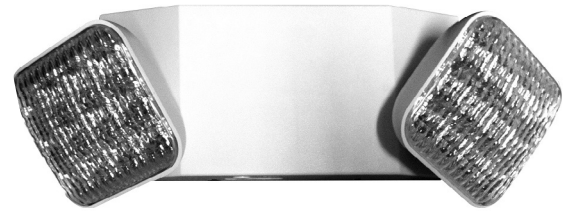
TYPE:

ILLUMINATION

- Long lasting, efficient, ultra bright white LED lamp heads
- 1.0 watts (8 LEDs x 0.125 watts) per head
- High performance chrome-plated metallized reflector and plastic lens for optimal light distribution
- Adjustable LED lamp heads provide optimal center-to-center spacing

ELECTRICAL

- Dual 120-277 voltage standard
- Charge rate/power "ON" LED indicator light and push-to-test switch for mandated code compliance testing.
- 3.6V long life, maintenance-free, rechargeable NiCd battery
- Internal solid-state transfer switch automatically connects the internal battery to the lamp heads for minimum 90-minute emergency illumination.
- Fully automatic solid-state, two rate charger initiates battery charging to recharge a discharged battery in 24 hours.



MOUNTING

- Universal knockout pattern on back plate for surface mount
- Suitable for wall or ceiling mount
- Knockout for conduit applications

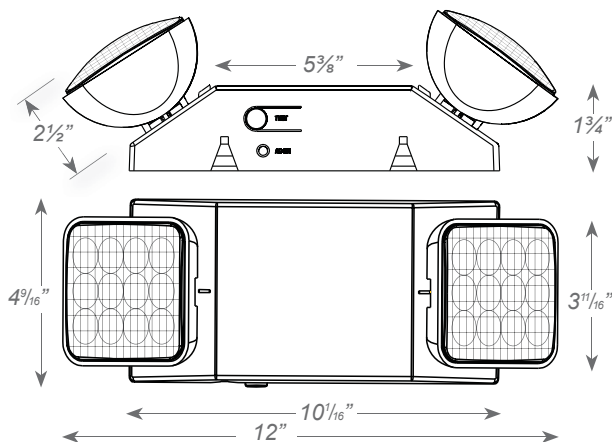
HOUSING

- Injection-molded, engineering grade, 5VA flame retardant, high-impact resistant, thermoplastic in white or black finish

WARRANTY/LISTING

- Five year warranty on all electronics and housing. Battery prorated for 5 years
- Meets UL924, NFPA 101 Life Safety Code, NEC, OSHA, Local and State Codes
- UL (standard) / CSA (optional) listed for damp locations (0°C-50°C)

DIMENSIONS



Dimensions and specifications subject to change without notice.





JOB NAME:

CAT#:

TYPE:

ORDERING

EXAMPLE: LEDR-1 SDT HL

LEDR-1

1. MODEL	2. HOUSING COLOR	3. DIAGNOSTICS (O) ¹	4. LUMEN OUTPUT (O) ¹	5. VOLTAGE (O) ¹	6. LISTING (O) ¹
LEDR-1	(blank) White B Black	SDT Self-Diagnostics	HL High Lumen	SPV 208/220/240 Volt, 50/60Hz ² CSA 120/347V, 60Hz Input	CEC Title 20 Compliant ³

Notes:

¹(O) is optional

²Not available with SDT

³Not available with SPV or CSA options

Dimensions and specifications subject to change without notice.

