



FSF Series

LED Medium Body Strip w/Lens

Great Performance Strip Fixture - now available with Lens. This LED offering is perfect for so many applications. Designed economically yet with balance and sleek aesthetics. This fixture is perfect for Retail, Industrial, Back House applications as well as the perfect solution for Mezzanine low ceiling installations where a wide distribution light pattern is needed. 5 year factory warranty.

MOUNTING

Surface mount, chain hung, double stem.

TYPICAL OPTIONS AND ACCESSORIES

Whips, wireguards, Emergency battery backup, or contact factory for more details.

FIXTURE DIMENSIONS

24L: 4.25"W x 24.00"L x 3.25"H

48L: 4.25"W x 48.00"L x 3.25"H

96L: 4.25"W x 96.00"L x 3.25"H

SPECIFICATIONS

- 3 standard sizes – 2ft, 4ft, and 8ft
- Surface or pendant mount adapts to most ceilings
- Many lumen package / wattage options via programmable drivers
- Multiple Kelvin temperature options (3000K, 3500K, 4000K, 5000K)
- Emergency battery backup options available
- CRI >80
- >50,000 hrs of L70 LED life
- Rated for dry and damp locations
- 0-10 Volt dimmable 120-277V
- Power factor >0.90
- 5 year warranty





CATALOG#: _____
 PROJECT: _____
 TYPE: _____

FSF Series

LED Medium Body
 Strip w/Lens

ORDERING GUIDE

Factory at your fingertips. Fill in the blanks to create your part number or create a custom configuration.

Sample Part Number:

SERIES	DIFFUSER		LENGTH		WATTAGE*		DRIVER		CCT/CRI		
FSF Medium Body Strip	FR	Frosted	24L	24"L	Y14W1400L	14 Watts, 1,400 Lumens	DMV	120-277VAC 0-10V Dimming	30K	3000K 80 CRI	
					Y18W1800L	18 Watts, 1,800 Lumens				35K	3500K 80 CRI
					Y28W2800L	28 Watts, 2,800 Lumens				40K	4000K 80 CRI
					Y33W3300L	33 Watts, 3,300 Lumens				50K	5000K 80 CRI
SMFSF Medium Body Strip with Microware Sensor	FR	Frosted	48L	48"L	Y28W2800L	28 Watts, 2,800 Lumens	DMV	120-277VAC 0-10V Dimming	30K	3000K 80 CRI	
					Y31W3400L	31 Watts, 3,400 Lumens				35K	3500K 80 CRI
					Y48W4800L	48 Watts, 4,800 Lumens				40K	4000K 80 CRI
					Y57W6300L	57 Watts, 6,300 Lumens				50K	5000K 80 CRI
SSFSF Medium Body Strip with Embedded On/ Off Sensor	FR	Frosted	96L	96"L	Y48W4800L	48 Watts, 4,800 Lumens	DMV	120-277VAC 0-10V Dimming	30K	3000K 80 CRI	
					Y57W5700L	57 Watts, 5,700 Lumens				35K	3500K 80 CRI
					Y62W6600L	62 Watts, 6,600 Lumens				40K	4000K 80 CRI
					Y97W9700L	97 Watts, 9,700 Lumens				50K	5000K 80 CRI
Y114W12600L	FR	Frosted	96L	96"L	Y114W12600L	114 Watts, 12,600 Lumens	DMV	120-277VAC 0-10V Dimming	30K	3000K 80 CRI	
					Y124W12400L	124 Watts, 12,400 Lumens				35K	3500K 80 CRI
										40K	4000K 80 CRI
										50K	5000K 80 CRI

OPTIONS

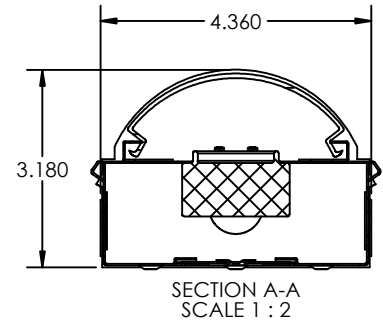
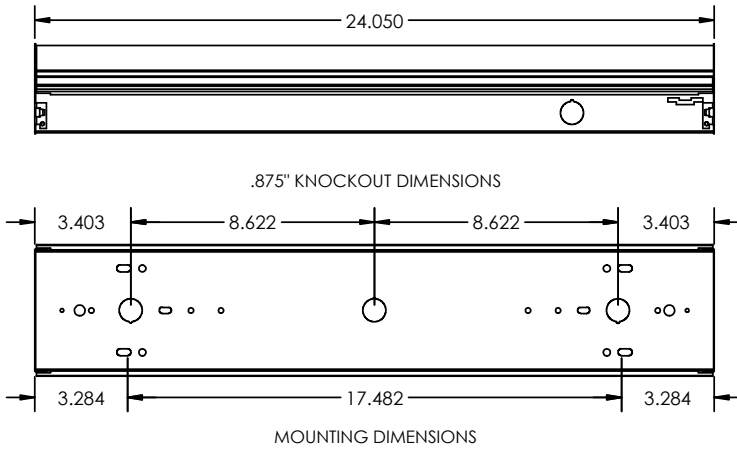
- WP 6 ft. 3 wire 18 gauge whip
- WP10 6 ft. 4 wire 18 gauge whip
- EM10 10W Emergency battery backup
- EM12 12W Emergency battery backup
- MDT4 Occupancy Sensor

*Programmable LED drivers allow custom configured wattages and corresponding lumens.

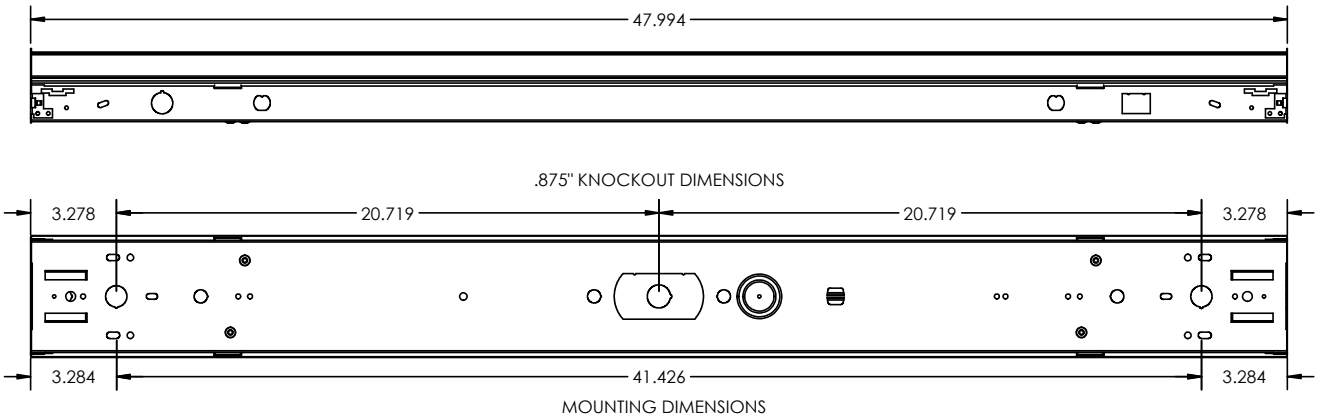
NOTE: Values shown are typical or recorded under standardized conditions at 25°C. Actual performance may vary based environment or application. Specifications are subject to change without notice. We reserve the right to change design, materials, LED's and finish in any way that will not alter installed appearance or reduce function and performance.

PRODUCT DIMENSIONS

24L



48L



96L

