



DCL Series

LED SENSOR READY Full Cut-Off Wall Pack

The DCL Series is an excellent option for illuminating pathways, entryways, and perimeters. The DCL Series offers energy-efficient durability, optics, and fresh aesthetics. Uniform light distribution and excellent LED lumen maintenance rate, high energy efficiency, low cost, while taking into account the stylish design, ensure that the fixture has a long service life. A range of accessories allows for easy install in most applications.

DIMENSIONS

DCL150L: 13.1"L x 9.6"W x 3.8"D

DCL150L: 13.2"L x 9.6"W x 5.0"D

SPECIFICATIONS

- Two-piece die-cast aluminum housing secures the thermally conductive LED panel and electrical chamber
- Casting thermally conducts LED heat to optimize performance
- Suitable for applications requiring 3G testing prescribed by ANSI C136.31
- Universal 120-277 VAC input voltage; 1-10V Dimming
- Both drivers have a power factor >90%, THD <20%.
- Operating Temperature Range: -40°C to +40°C (-40°F to +104°F).
- >50,000 hrs of L70 LED life
- UL cUL Wet location listed
- 5 year warranty



ORDERING GUIDE

Sample Part Number: *DCL150L-65M10000M-DMV-MCT*

SERIES	WATTAGE	DRIVER	CCT
DCL150L	65M10000L 65 Watts, 10000 Lumens Default 65W, 10000L / 49W, 7900L / 35W, 6000L / 23W, 4200L options available via wattage selection switch	DMV 0-10V Dimming	MCT 3000K, 4000K or 5000K options available via CCT selection switch
DCL200L	100M15500L 100 Watts, 14850 Lumens Default 103W, 14850L / 84W, 12640L / 62W, 9480L / 43W, 6620L options available via wattage selection switch		

OPTIONS	
EM	8W Emergency Battery Backup, 900 lum. 90 min
PC	120-277V Photocell

PRODUCT FEATURES



Housing
Two-piece die-cast aluminum housing with optimal thermal management both enhances LED efficacy and extends fixture's life.

Optics
Zero uplight distributions. Independently designed optical lens, using anti-UV material to maximize the lighting effect while reducing glare.

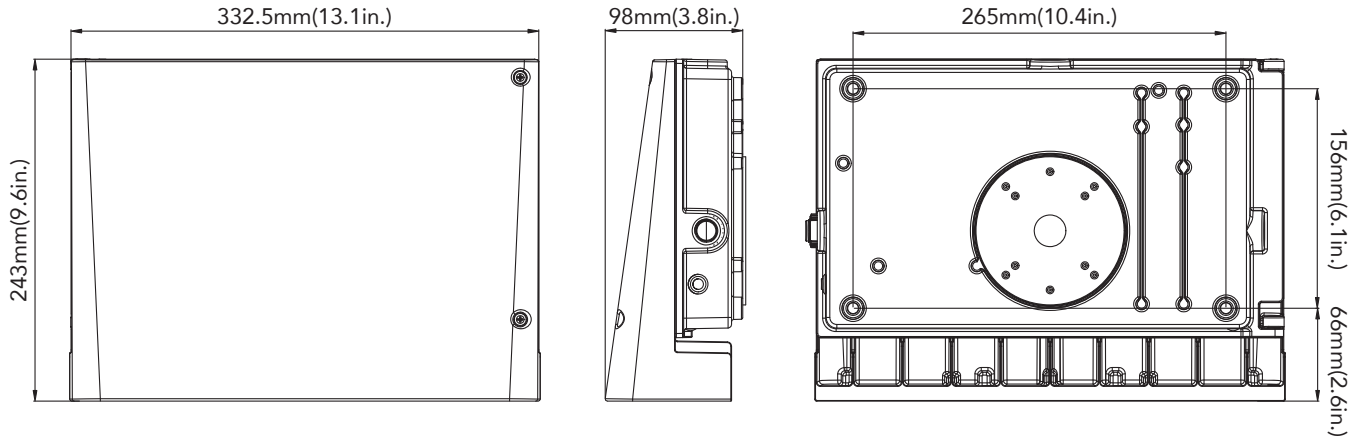
Mounting
MWP15 can be mounted directly over a standard 4" and 5" electrical junction box. Three 1/2 inch conduit holes on three sides allow for surface conduit wiring.

Power and CCT controller(Optional)
The wattage and CCT can be changed by switch selection on the controller, it easy and very fast to meet the varied

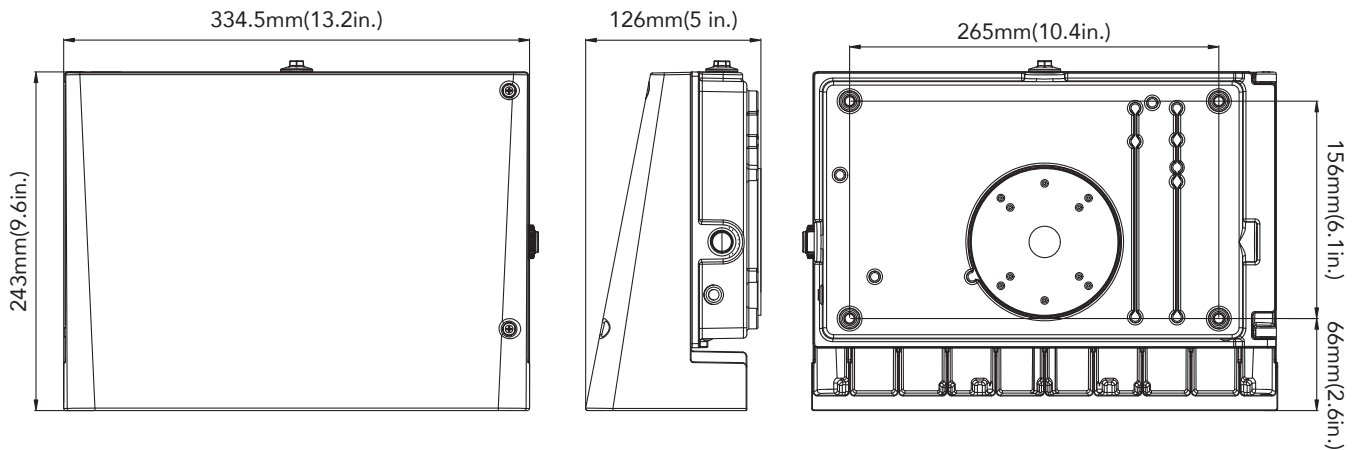



DIMENSIONS

DCL150



DCL200



PERFORMANCE DATA

SYSTEM WATTS	VOLTAGE	CRI	LUMENS (3000K)	LPW (3000K)	LUMENS (4000K)	LPW (4000K)	LUMENS (5000K)	LPW (5000K)
65W	120-277VAC	70	9500lm	146 lm/W	10000lm	154 lm/W	9700lm	149 lm/W
100W	120-277VAC	70	14800lm	148 lm/W	15500lm	155 lm/W	15000lm	150 lm/W

ADJUSTABLE LUMEN OUTPUT TABLE

SETTING	VOLTAGE	65W		100W	
		SYSTEM WATTS	LUMENS (5000K)	SYSTEM WATTS	LUMENS (5000K)
100%	120-277VAC	64.93	9557.10	103.20	14850.00
80%	120-277VAC	49.30	7894.16	84.21	12640.32
60%	120-277VAC	34.47	5973.19	61.92	9484.70
40%	120-277VAC	23.37	4224.24	42.83	6623.10