

Series DC150L

LED Economy Wall Pack

LED wall packs and floods are perfect for illuminating pathways and perimeters, giving people a greater sense of security. And whether you're looking for a traditional non-cut off, high-output, fixed-cutoff, architectural, or slim-sized fixture, we've got them all. Each is so easy to install with a full assortment of accessories for most applications. Energy efficiency, durability, optics and fresh aesthetics distinguish our offering. Poles available for certain markets along with bollards and other specialty commercial exterior fixtures to illuminate your next exterior project.

CONSTRUCTION

LED compartment is airtight to prevent fogging and condensation build up and keep water out. Aluminum reflector designed to reduce glare and produce an even distribution. Extruded aluminum tube provides as well as protects and conceals the component wiring. Clear UV resistant polycarbonate lens allows for optimal light transmission and protects the light engine compartment from harsh environments.



DIMENSIONS

DC150: 14.20"L x 7.08"E x 9.25"H

FEATURES & BENEFITS

- Housing is consisting of an extruded aluminum alloy body standard 4kV surge
- Sealed die-casting profile for indoor and outdoor applications
- Polycarbonate optical lens with UV stabilizers
- UV stabilized powder coated finish
- Great value wall pack with shields, photocell, and em options
- Replacing 100W MH and 400W MH
- Operating temperature is -40°C to 40°C (-40°F to 104°F)
- Voltage is 120-277V, 0-10V dimmable, 480V options available for select models
- 5 Year Warranty

CONSTRUCTION



ORDERING INFORMATION - Single CCT

ITEM NUMBER ¹	DESCRIPTION
DC150L30W3500LMVxxK	14.21"L x 7.08"E x 9.25"H / 30W, 3500L / 0-10V Dim / 4000K, 5000K / Bronze
DC150L40W5100LMVxxK	14.21"L x 7.08"E x 9.25"H / 40W, 5100L / 0-10V Dim / 4000K, 5000K / Bronze
DC150L65W7900LMVxxK	14.21"L x 7.08"E x 9.25"H / 65W, 7900L / 0-10V Dim / 4000K, 5000K / Bronze
DC150L90W10000LMVxxK	14.21"L x 7.08"E x 9.25"H / 90W, 10000L / 0-10V Dim / 4000K, 5000K / Bronze
DC150L90W10000LMV480xxK	14.21"L x 7.08"E x 9.25"H / 90W, 10000L / 0-10V Dim at 480V / 4000K, 5000K / Bronze
DC150L125W15000LMVxxK	14.21"L x 7.08"E x 9.25"H / 125W, 15000L / 0-10V Dim / 4000K, 5000K / Bronze
DC150L125W15000LMV480xxK	14.21"L x 7.08"E x 9.25"H / 125W, 15000L / 0-10V Dim at 480V / 4000K, 5000K / Bronze

ORDERING INFORMATION - CCT Adjustable

ITEM NUMBER ¹	DESCRIPTION
DC150L65M7800MDMVMCT	14.21"L x 7.08"E x 9.25"H / 65W, 7800L / 0-10V Dim / MCT* 3000K, 4000K, 5000K / Bronze
DC150L100M12000MDMVMCT	14.21"L x 7.08"E x 9.25"H / 100W, 12000L / 0-10V Dim / MCT* 3000K, 4000K, 5000K / Bronze

Note:

1. Replace 'xx' with either 40 or 50 to determine CCT for your fixture.

*65W and 100W versions offer Multi-color temperature adjustable from 3000K, 4000K, 5000K



Texas Fluorescents
Reinvented

CATALOG#: _____
PROJECT: _____
TYPE: _____

Series DC150L

LED Economy Wall Pack

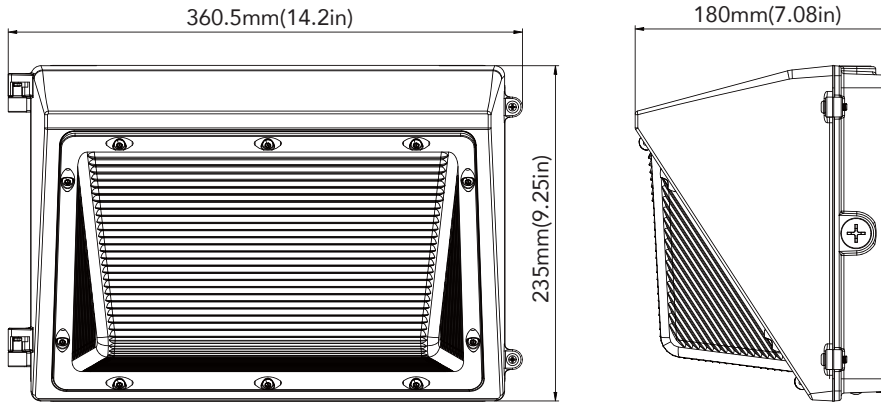
DLC Listed Items

ITEM NUMBER ¹
DC150L30W3500LMV40K[Blank,BK,WH][Blank,PC,PCMV]
DC150L30W3500LMV50K[Blank,BK,WH][Blank,PC,PCMV]
DC150L40W5100LMV40K[Blank,BK,WH][Blank,PC,PCMV]
DC150L40W5100LMV50K[Blank,BK,WH][Blank,PC,PCMV]
DC150L65W7900LMV40K[Blank,BK,WH][Blank,PC,PCMV]
DC150L65W7900LMV50K[Blank,BK,WH][Blank,PC,PCMV]
DC150L90W10000LMV40K[Blank,BK,WH][Blank,PC,PCMV]
DC150L90W10000LMV50K[Blank,BK,WH][Blank,PC,PCMV]
DC150L125W15000LMV40K[Blank,BK,WH][Blank,PC,PCMV]
DC150L125W15000LMV50K[Blank,BK,WH][Blank,PC,PCMV]
DC150L65M7800LMVDDK[Blank,BK,WH][Blank,PC,PCMV]
DC150L100M12000LMVDDK[Blank,BK,WH][Blank,PC,PCMV]

Note:

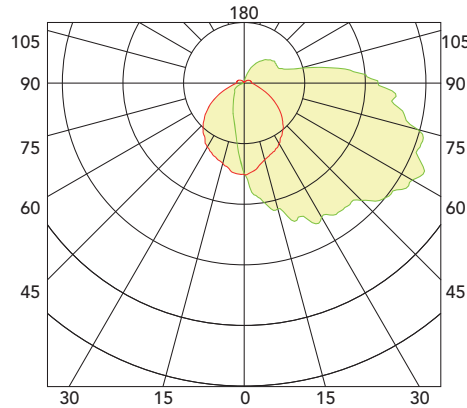
- 1. Replace 'xx' with either 40 or 50 to determine CCT for your fixture.
- *65W and 100W versions offer Multi-color temperature adjustable from 3000K, 4000K, 5000K

DIMENSIONS



Net Weight
30W: 6.327lb
40W: 6.525lb
65W: 6.724lb
90W&100W: 7.319lb
125W: 8.157lb

PHOTOMETRICS



PERFORMANCE DATA

SYSTEM WATTS	VOLTAGE	CRI	LUMENS (4000K)	LPW (4000K)	LUMENS (5000K)	LPW (5000K)
30W	120-277VAC	70	3400lm	113 lm/W	3500lm	117 lm/W
40W	120-277VAC	70	5000lm	125 lm/W	5100lm	128 lm/W
65W	120-277VAC	70	7800lm	120 lm/W	7900lm	122 lm/W
90W	120-277VAC	70	10500lm	117 lm/W	10500lm	117 lm/W
125W	120-277VAC	70	15000lm	120 lm/W	15000lm	120 lm/W

CCT AND POWER ADJUSTABLE

SYSTEM WATTS	VOLTAGE	CRI	LUMENS (3000K)	LPW (3000K)	LUMENS (4000K)	LPW (4000K)	LUMENS (5000K)	LPW (5000K)
65W	120-277VAC	70	7700lm	118 lm/W	8300lm	128 lm/W	7900lm	122 lm/W
100W	120-277VAC	70	11500lm	115 lm/W	12000lm	120 lm/W	11600lm	116 lm/W

ADJUSTABLE LUMEN OUTPUT TABLE

SETTING	CCT	CRI	SYSTEM WATTS (65W)	LUMENS (65W)	SYSTEM WATTS (100W)	LUMENS (100W)
100%	3000K	70	67.17	7761.40	99.40	11604.80
	4000K	70	63.67	8334.40	94.13	12123.00
	5000K	70	67.30	7950.20	99.88	11702.10
80%	3000K	70	55.34	6695.36	87.62	10620.13
	4000K	70	52.46	7189.66	82.97	11094.36
	5000K	70	55.45	6857.84	88.04	10708.59
60%	3000K	70	40.97	5275.51	62.02	8200.25
	4000K	70	38.84	5664.98	58.73	8566.43
	5000K	70	41.05	5403.75	62.32	8268.70
40%	3000K	70	27.50	3769.14	38.68	5512.80
	4000K	70	26.06	4047.40	36.63	5758.97
	5000K	70	41.05	3860.62	38.87	5558.50

ELECTRICAL DATA

Number Of Drivers	Driver Current (mA)	Nominal Power (W)	INPUT VOLTAGE (V)	CURRENT (Amps)
1	430	30	120	0.25
		30	208	0.14
		30	240	0.13
		30	277	0.11
1	610	40	120	0.33
		40	208	0.19
		40	240	0.17
		40	277	0.14
1	1110	65	120	0.54
		65	208	0.31
		65	240	0.27
		65	277	0.23
1	2270	90	120	0.75
		90	208	0.43
		90	240	0.38
		90	277	0.32
1	2500	100	120	0.83
		100	208	0.48
		100	240	0.42
		100	277	0.36
2	3300	125	120	1.04
		125	208	0.60
		125	240	0.52
		125	277	0.45