

CATALOG#: \_\_\_\_\_  
 PROJECT: \_\_\_\_\_  
 TYPE: \_\_\_\_\_

# DC056L Series

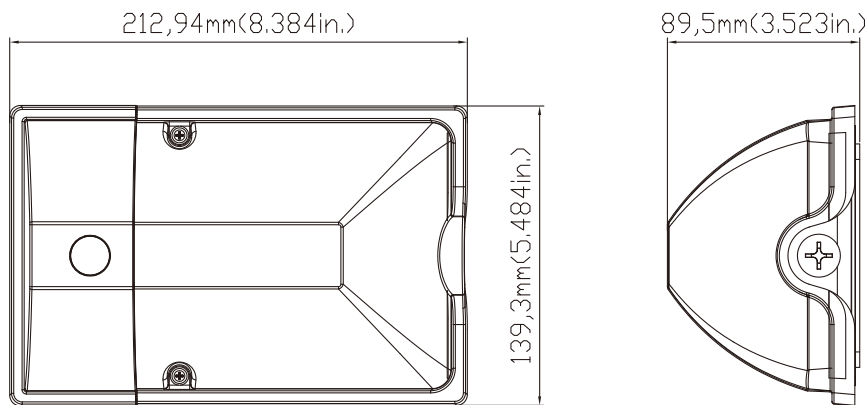
## LED Wall Mount Fixture

Perfect for security, entry ways, stairways, storage and perimeter areas, as well as residential exteriors. Sealed die-casting profile for outdoor applications. Consumes 17W to replace 120W Incandescent, 25W to replace 50W HID. Lumen output from 1900-2700lm. Polycarbonate optical lens with UV stabilizers for choosing Supports direct wall mounting and J-box mounting, with 1/2 inch entry at the bottom. Built-in UL class 2 driver, and 120V/277V photocell. UL Wet location listed.

### MOUNTING

Surface mount.

### DIMENSIONS



### SPECIFICATIONS

- Fits junction box/wall mount directly
- 5000K color temperature
- Polycarbonate lens
- CRI >80 (90 CRI available)
- >50,000 hrs of L70 LED life
- UL Wet Location listed
- 5 year warranty

### ORDERING GUIDE

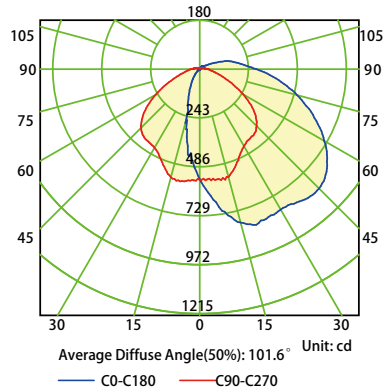
Factory at your fingertips. Fill in the blanks to create your part number or create a custom configuration.

Sample Part Number:

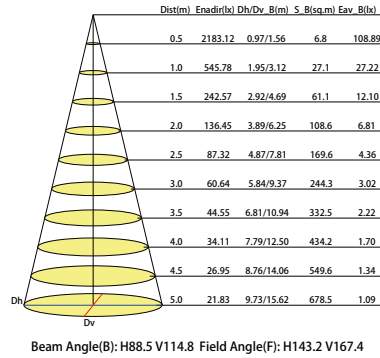
SERIES	WATTAGE*1		DRIVER		CCT/CRI		OPTION		LENS	
DC056L	17W2000L	17 Watts, 2,000 Lumens	MV	120-277VAC	40K	4000K 80 CRI	PC	Photocell	Blank	Frosted
	25W2700L	25 Watts, 2,700 Lumens			50K	5000K 80 CRI			CL	Clear

#### DC056L17W2000LMV50K

Luminous Intensity Distribution Curve

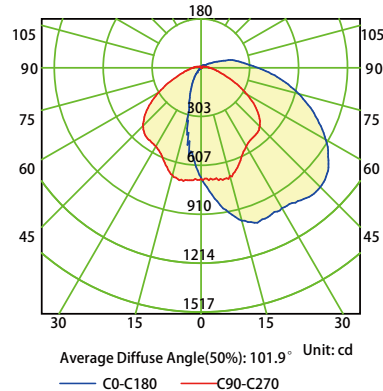


Illuminance at a Distance

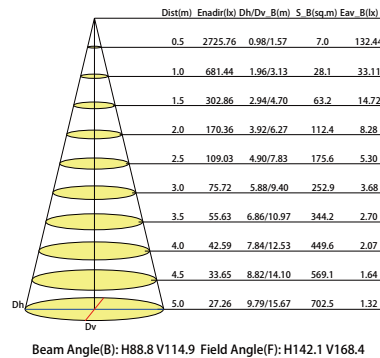


#### DC056L25W2700LMV50K

Luminous Intensity Distribution Curve



Illuminance at a Distance



\*Programmable LED drivers allow custom configured wattages and corresponding lumens.

We reserve the right to change design, materials, LED's and finish in any way that will not alter installed appearance or reduce function and performance.