

# Series DBEL-ACEM

## Decorative LED AC/Emergency Unit



### ILLUMINATION

- Long life, efficient, ultra-bright white LED.
- 6W (2 LEDs x 3.0 watt) per unit.
- Mirror-bright reflector and prismatic polycarbonate refractor.
- Can be used as a Normally-ON or Normally-OFF light as well as on a switched circuit.

### ELECTRICAL

- Universal 120-277 voltage
- Charge rate/power "ON" LED indicator light and push-to-test switch for mandated code compliance testing.
- 4.8V long life, maintenance-free, rechargeable NiCd battery.
- Internal solid-state transfer switch automatically connects the internal battery to LED board and LED lamp heads for minimum 90-minute emergency illumination.
- Fully automatic solid-state, two rate charger initiates battery charging to recharge a discharged battery in 24 hours.
- Self-diagnostic test feature continually diagnoses units performance and tests system to ensure reliable operation and to meet electrical and life safety codes.
- Field-selectable wiring allows for "AC" operation of the unit to be controlled using a wall-switch or a photocell or any other switching mechanism.

### MOUNTING

- Surface mount via easy connect back plate that fits most standard size junction boxes.
- Universal K/O pattern on back plate for wall mount.
- Threaded opening at the top enclosure for conduit mount.

### HOUSING

- Decorative, low profile, architectural design.
- Die-cast aluminum housing.
- Durable powder-coated finishes in white, black, nickel and dark bronze.
- Sealed and gasketed.

### DIMENSIONS

6 9/16"L x 3 5/8"W x 10 1/2"H

### FEATURES & BENEFITS

- CW: Optional internal heater for extreme cold temperature applications (-20°C - 50°C)
- PC: Unit features optional photocell technology that automatically responds to low exterior lighting levels in "AC" mode
- 5 year warranty on all electronics and housing. Battery pro-rated for five years.
- Meets UL924, NFPA 101 Life Safety Code, NEC, OSHA, Local and State Codes
- UL Listed for wet locations (0°C - 50°C)

STANDARD



OPTIONAL



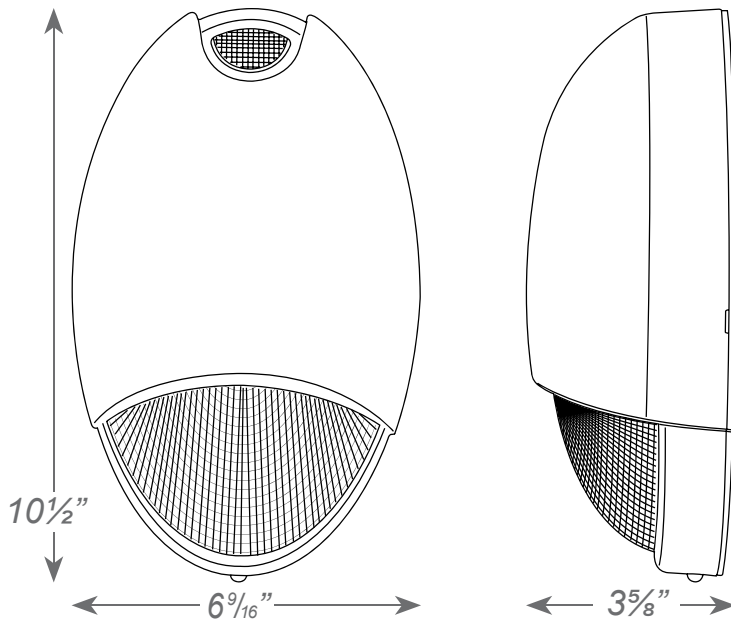
CATALOG#: \_\_\_\_\_  
 PROJECT: \_\_\_\_\_  
 TYPE: \_\_\_\_\_

## ORDER INFORMATION

Factory at your fingertips. Fill in the blanks to create your part number or create a custom configuration.

SERIES	HOUSING COLOR	DIAGNOSTICS	OPTIONS
DBEL-ACEM-HL	W	White	SDT Self-Diagnostics (Standard)
	B	Black	
	BR	Dark Bronze	CW Cold Weather
	N	Nickel	PC Photocell Sensor

## DRAWINGS & IMAGES



**Note:**  
 We reserve the right to change design, materials, LEDs and finish in any way that will not alter installed appearance or reduce function and performance.

## ELECTRICAL INFORMATION

CATALOG NUMBER	INPUT WATTS (W)		INPUT AMPS (A)	
	120V	277V	120V	277V
DBEL-ACEM SDT (w/AC on)	9.0	8.89	0.131	0.068
DBEL-ACEM SDT (w/AC off)	2.04	2.15	0.035	0.022
DBEL-ACEM SDT-CW (w/AC on)	18.47	58.89	0.210	0.248
DBEL-ACEM SDT-CW (w/AC off)	11.51	52.15	0.114	0.202
DBEL-ACEM SDT-PC (w/AC on)	9.0	8.89	0.131	0.068
DBEL-ACEM SDT-PC (w/AC off)	2.04	2.15	0.035	0.022
DBEL-ACEM SDT-CW-PC (w/AC off)	18.47	58.90	0.210	0.248
DBEL-ACEM SDT-CW-PC (w/AC off)	11.51	52.15	0.114	0.202

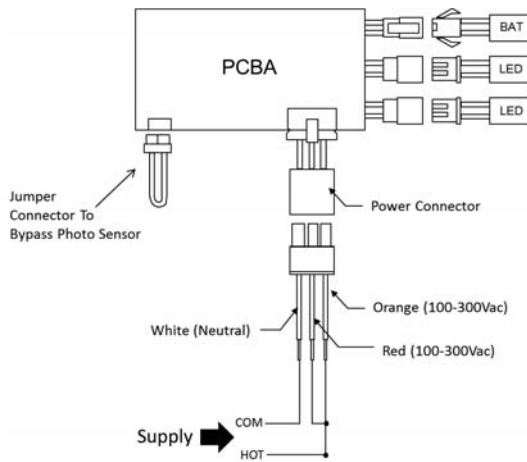
## CENTER-TO-CENTER SPACING GUIDELINES

Consult factory.

## WIRING DIAGRAM

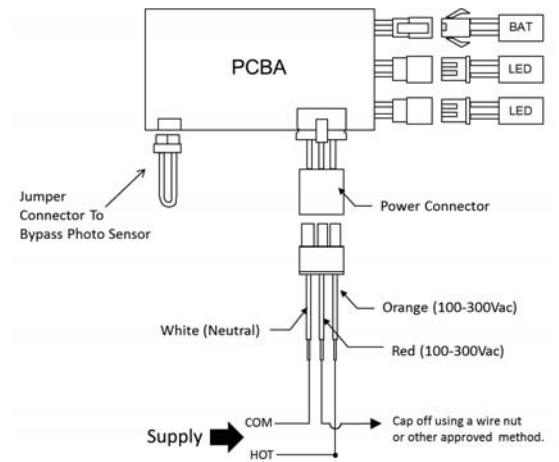
### NORMALLY ON

Unit ON at all times.



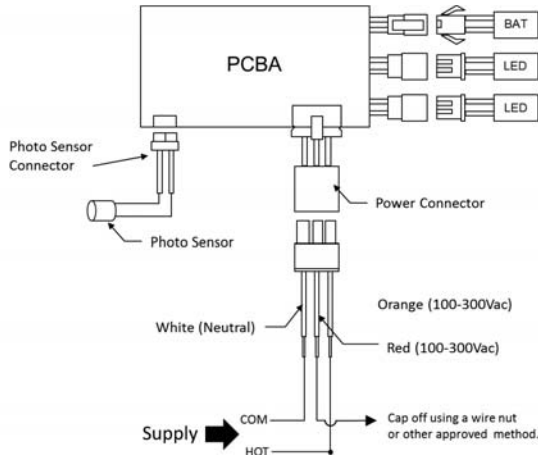
### NORMALLY OFF

Unit ON only in emergency mode.



### PHOTO SENSOR

Unit ON when there is not enough ambient light; will automatically switch to emergency mode during a power outage.



### SWITCHED

Controlled operation in AC mode; will automatically switch to emergency mode during a power outage.

