

Series 44

Architectural LED Linear Pendant Squares (4ft and 8ft)

Make a bold statement in your space with dramatic, geometrically-shaped linear lines of light in square configurations. Series 44 fixtures are available in two standard sizes, 4 feet and 8 feet, with a 4-inch linear profile. (Inquire for rectangular or alternative configurations.) Lit corners, shadowless LED lighting and energy efficiency contribute to excellent performance for general lighting applications, while the architectural, pre-configured nature of these fixtures make them ideal for circulation spaces, lobbies, retail settings (cosmetics areas of department stores, etc.) and conference rooms. Available in two lumen packages, white or RGBW options, and in a variety of finishes. Standard snap-in frosted white lens specifically crafted to diffuse LED lighting. Bladed, specular parabolic or white cubed louver, plus matte white lens also available. Fixture installs quickly and easily with four cable kits, one per corner.

CONSTRUCTION

Die-formed and welded 22-gauge cold rolled steel. Knockouts on ends allow continuous wire-way mounting. A 1/2" regressed flange at the bottom insures uniformity and rigidity. Frosted white lens standard; alternative lens and louver options available.



DIMENSIONS

4x4 - 48"L x 48"W x 4"H

8x8 - 96"L x 96"W x 4"H

Contact for custom configurations

FEATURES & BENEFITS

- Pendant mount architectural luminaires hung with supplied cable for each corner
- Direct lighting (For Direct/ Indirect, see Series 45)
- Two standard sizes, each with two wattage/lumen package options
- Four Kelvin Temperatures (3000K, 3500K, 4000K, 5000K) or RGBW color shifting (Consult factory for RGBW option)
- Multiple lens and louver options available
- White or numerous color finishes available
- Emergency Battery Backup option available
- CRI >80 (90 CRI avail)
- >50,000 hrs of L70 LED life
- 0-10 Volt dimmable 120-277V (120 ELV/TRIAC avail)
- Power factor >0.90
- Suitable for dry and damp locations
- 5 year warranty





Texas Fluorescents
Reinvented

CATALOG# : _____
PROJECT : _____
TYPE : _____

Series 44

Architectural LED Linear
Pendant Squares (4ft and 8ft)

ORDER INFORMATION

Factory at your fingertips. Fill in the blanks to create your part number or create a custom configuration.

SERIES	LENS MATERIAL	LENGTH	WATTAGE * & LUMENS*	DRIVER	COLOR	
44P Pendant Mount Square	MW Matte white lens (Only available for downlight)	4x4 48"W x 48"L x 4"H	<u>Up or Down Light Only</u>		DMV 0-10V Dimming G120 ELV/TRIAC dimming at 120V only D1MV 0-10V Dimming (dim to 1%)	30K 3000K 35K 3500K 40K 4000K 50K 5000K
	SP1 Specular Parabolic Louver		R96W 96 Watts 9600 Lumens R192W 192 Watts 19200 Lumens			
44RF Recessed Mount Square Flanged for Existing Drywall Installation	BL Bladed louver semispecular	4x4 48"W x 48"L x 4"H	<u>Up & Down Light</u>			
	PLA White Cubed Acrylic Louver		UR48WD96W 48 Watts Up 96 Watts Down 14400 Lumens UR72WD144W 72 Watts Up 144 Watts Down 21600 Lumens			
44RR375 Recessed Mount Square Flanged for New Drywall Installation (3/8" Flange)	SF Snap-in frosted acrylic lens (85% transmission) Special for LEDs; only available for uplight and downlight	4x4 48"W x 48"L x 4"H	<u>Up or Down Light Only</u>			
44RR500 Recessed Mount Square Flanged for New Drywall Installation (1/2" Flange)			R192W 192 Watts 19200 Lumens R384W 384 Watts 38400 Lumens			
44RR675 Recessed Mount Square Flanged for New Drywall Installation (5/8" Flange)		8x8 96"W x 96"L x 4"H	<u>Up & Down Light</u>			
			UR96WD192W 96 Watts Up 192 Watts Down 28800 Lumens UR144WD288W 144 Watts Up 288 Watts Down 43200 Lumens			

Additional Options

CRI**	FINISH	OPTIONS
Blank 80 CRI 90 90 CRI	WH White BK Black SI Silver	HC712WH Cable kit with 12' cable & 3 wires power feed/cable incl. and white canopy EM 14W Emergency battery backup (internal, excludes less than 4ft)

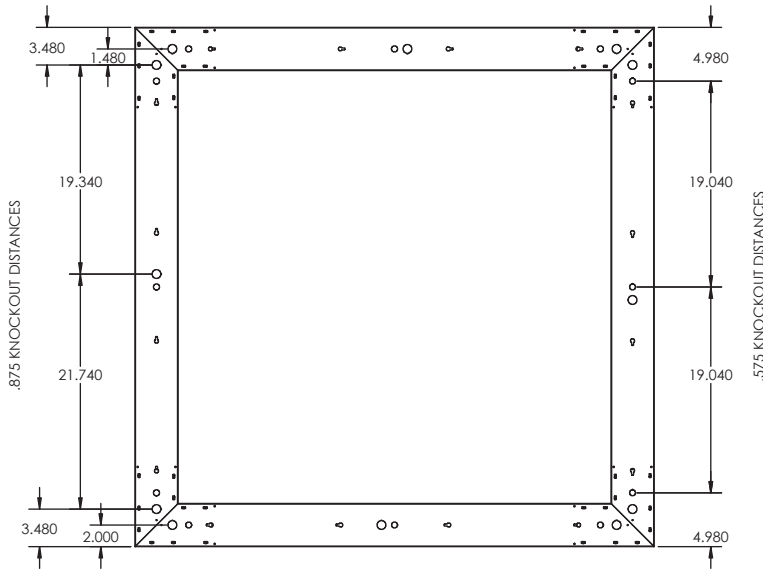
*Programmable LED drivers allow custom configured wattages and corresponding lumens.

** Consult factory for 90CRI 5000K availability

NOTE: Values shown are typical or recorded under standardized conditions at 25°C. Actual performance may vary based environment or application. Specifications are subject to change without notice. We reserve the right to change design, materials, LED's and finish in any way that will not alter installed appearance or reduce function and performance.

DRAWINGS & IMAGES

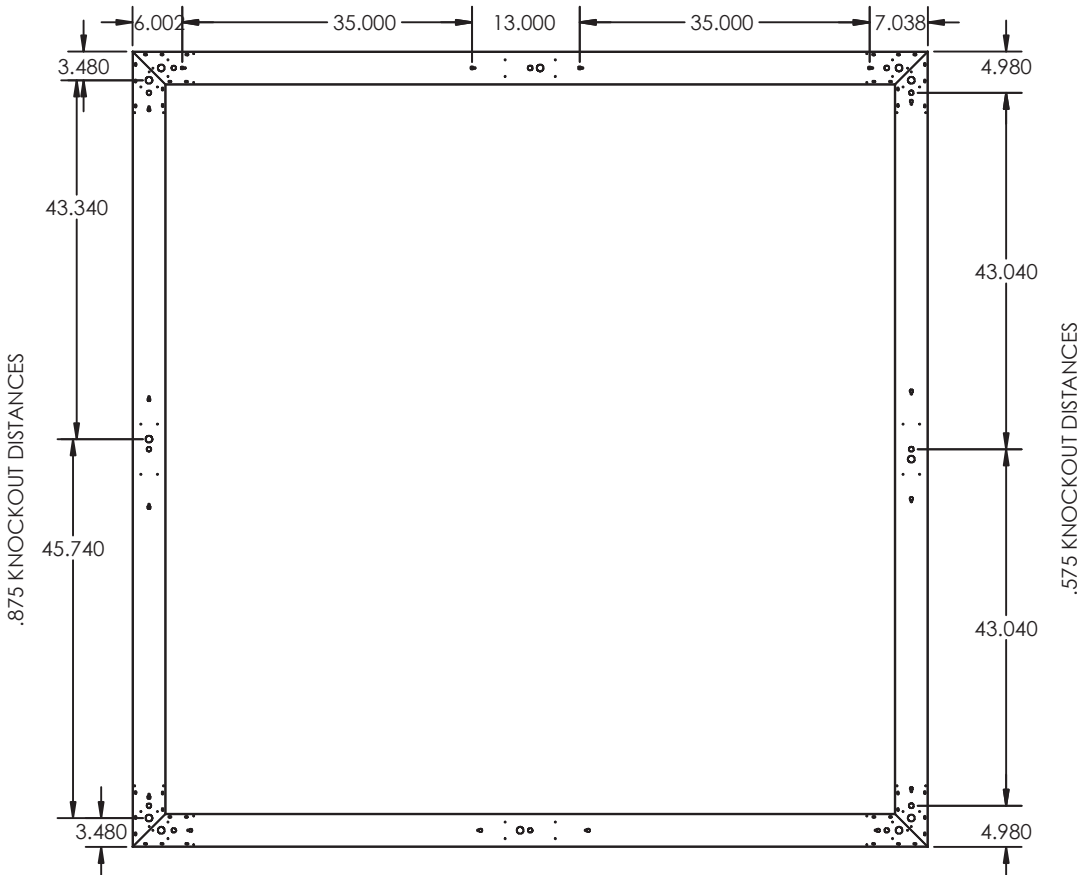
4X4 - P



**REPLACEMENT LENS
ORDERING INFORMATION**

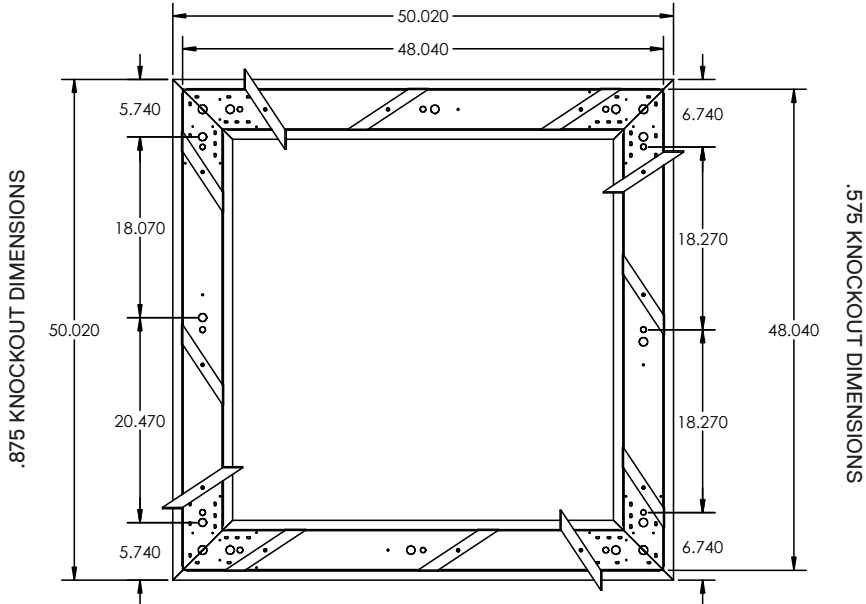
SERIES	DESCRIPTION
044PSF4X4	Replacement Snap-in Frosted lens for 4x4 (order 1 per each fixture side)
044PSF8X8	Replacement Snap-in Frosted lens for 8x8 (order 1 per each fixture side)

8X8 - P

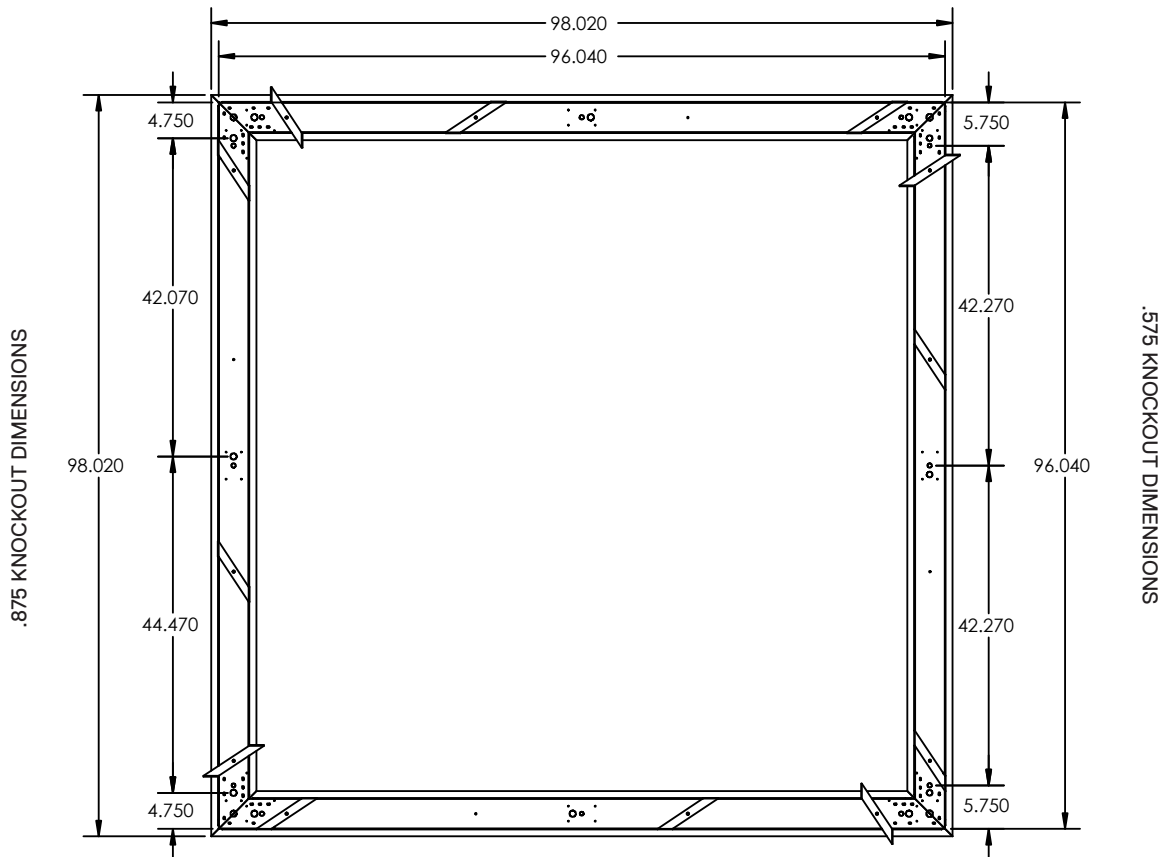


DRAWINGS & IMAGES

4X4 - RF



8X8 - RF

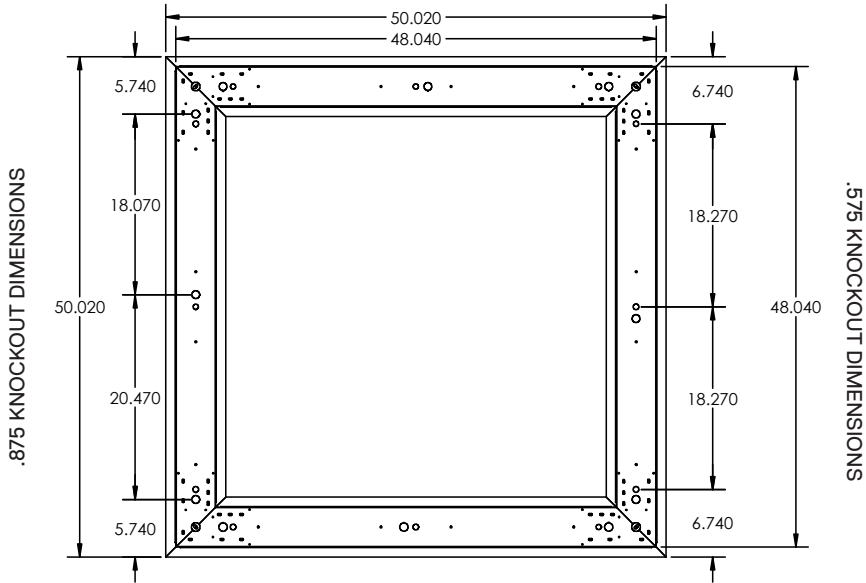


**REPLACEMENT LENS
ORDERING INFORMATION**

SERIES	DESCRIPTION
044PSF4X4	Replacement Snap-in Frosted lens for 4x4 (order 1 per each fixture side)
044PSF8X8	Replacement Snap-in Frosted lens for 8x8 (order 1 per each fixture side)

DRAWINGS & IMAGES

4X4 - RR



REPLACEMENT LENS ORDERING INFORMATION

SERIES	DESCRIPTION
044PSF4X4	Replacement Snap-in Frosted lens for 4x4 (order 1 per each fixture side)
044PSF8X8	Replacement Snap-in Frosted lens for 8x8 (order 1 per each fixture side)

8X8 - RR

