



JOB NAME:

CAT#:

TYPE:

APPLICATIONS

This Sky Bay Edgelit Flat Panel provides comfortable, abundant lighting with a modern design. It is available in multiple color temperatures and is 0-10V dimmable. The panel is designed for T-Bar recessed mounting with ballast box on the top side of the panel. The panel has an unobtrusive white edge. These panels are an ideal choice for many applications including offices, circulation spaces, retail, hospitality and in residential kitchens to give a skylight appearance.

Housing is white aluminum that is sealed and Non-IC type fixture. Lens is evenly diffused frosted material. The driver is Class 2 compliant design, featuring low voltage, limited power and is capable of 0-10V dimming as standard. Fixture is 80CRI minimum, multiple color temperatures, sizes and wattages are available. 5 year limited system warranty. Listed by and bears cUL_{us} label.



FEATURES & BENEFITS

- Environmentally friendly-mercury free
- L70 ≥ 50,000 hrs
- CRI>80
- 0-10 Volt dimmable 120-277VAC
- High efficacy and UV and IR Free
- RoHS compliant
- 5 year warranty
- PF>99
- cUL_{us} Listed



FRONT VIEW

DIMENSIONS

- 1x4 - 12.0" x 47.65" x 3.68
- 2x2 - 23.95" x 23.95" x 3.68
- 2x4 - 23.95" x 47.86" x 3.68
- Driver - 10.625" x 3.0" x 1.7"



BACK VIEW



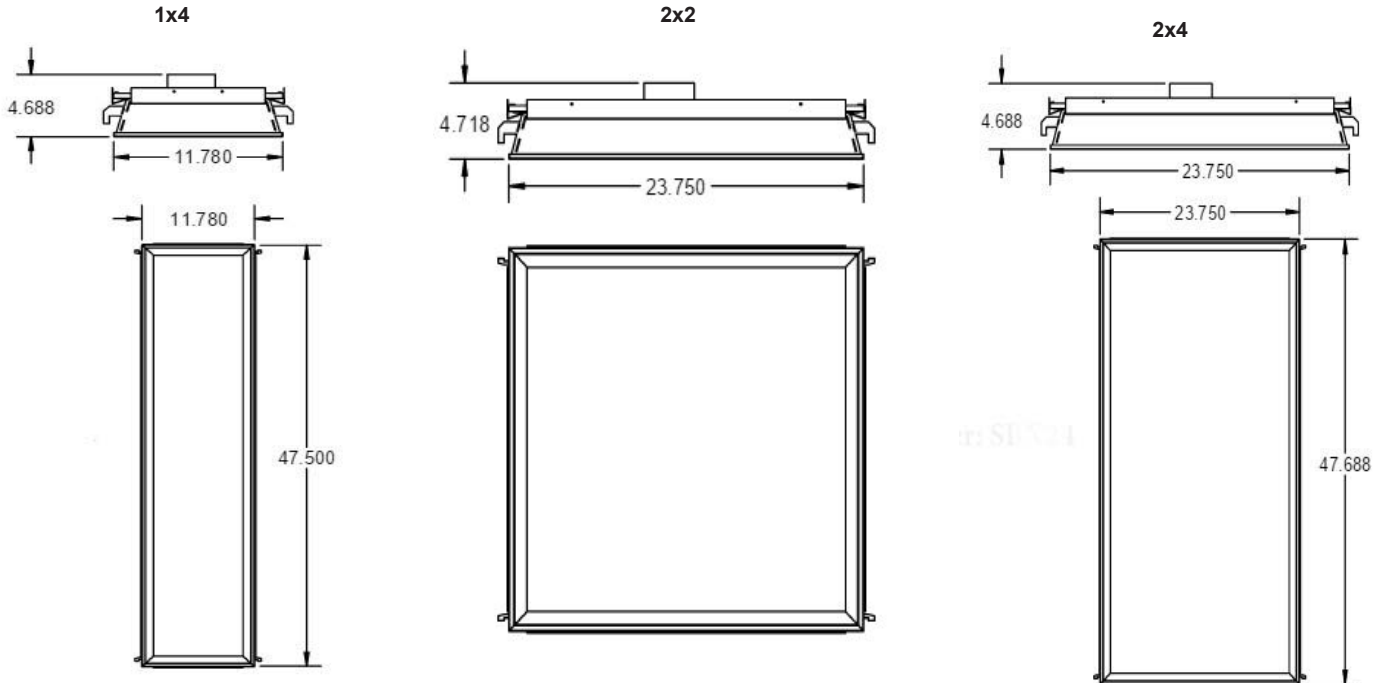


JOB NAME:

CAT#:

TYPE:

DIMENSIONS



ORDERING

EXAMPLE: SKB 14 LED 40 DMV WH 35 EM

SKB		LED		4. WATTAGE/LUMENS		5. DRIVER		6. FINISH		7. COLOR TEMP		8. EM		
1. SERIES	2. LENGTH	3. GEAR												
SKB	14	1x4	LED	1x4 & 2x2 only		DMV	0-10V Dimming 120-277V	WH	White	35	3500K	EM	10W, 1300 lumen Battery backup	
	22	2x2		40	40 Watts 5000 Lumens					40	4000K			
	24	2x4		2x4 only						50	50 Watts 6250 Lumens			50

NOTE: Values shown are typical or recorded under standardized conditions at 25°C. Actual performance may vary based on environment or application. Specifications are subject to change without notice. We reserve the right to change design, materials, LED's and finish in any way that will not alter installed appearance or reduce function and performance.

