



JOB NAME:

CAT#:

TYPE:

APPLICATIONS

The Mobern BFP back lit LED flat panel is a cleanly designed, high brightness lighting panel, made with high performance LED chips. Three color temperatures and three wattages are offered with each fixture. This panel is ideal for replacing traditional recessed fluorescent fixtures and is simple to fit and install. The BFP is a perfect choice for many applications including commercial, industrial, healthcare, hospitality and many more.

FEATURES & BENEFITS

- Eliminates quality issues with the lens on edge-lit flat panels
- Back-lit LED's evenly illuminate the entire surface of panel with soft, uniform light
- 1x4, 2x2 default wattage is 30W but includes 20W, 30W, & 40W (adjustable in field)
- 2x4 default wattage is 40W but includes 30W, 40W, & 50W (adjustable in field)
- Min CRI 82
- Operating Temperature: -25°C to 40°C (-10°C to 40°C with emergency)
- Beam angle 120°
- 5 Year Warranty
- PF > 0.90
- UL listed



Back View



1x4



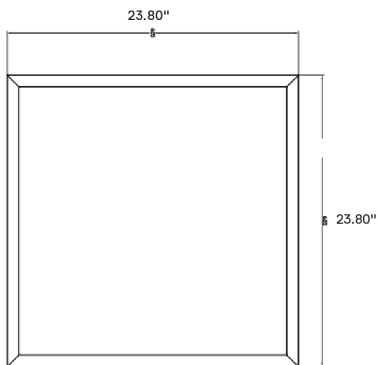
DIMENSIONS

DIMENSIONS IN INCHES:

- 1x4 - 11.80"W x 47.80"L x 1.77"H (height with driver)
- 2x2 - 23.78"W x 23.78"L x 1.77"H (height with driver)
- 2x4 - 23.78"W x 47.80"L x 1.77"H (height with driver)



2x2



2x4

