



JOB NAME:

CAT#:

TYPE:

### APPLICATIONS

A clear acrylic #8 pattern lens and 1 or 2 rows of LEDs in a cross-section allows this wraparound to be suitable for a variety of applications. A full wireway allows for more uniform light distribution. A great choice for corridors, hallways and other institutional spaces.

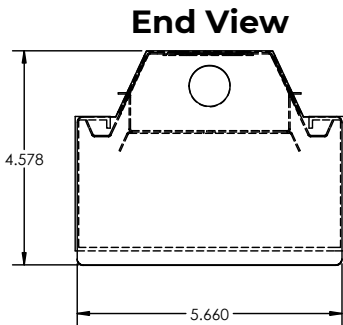
Housing is 22 gauge baked white enamel cold rolled steel body and ends. Wiring knockouts are provided on back end of housing. Ballast cover or reflector snaps into place. No tools are required for ballast access. Lens is held with lift and shift method.



### FEATURES & BENEFITS

- A full wireway allows for more uniform light distribution, 1 or 2 LEDs in cross section
- Acrylic #8 pattern lens
- Suitable for a variety of applications
- Min CRI 80
- cETL<sub>US</sub> Listed for damp locations

### DIMENSIONS

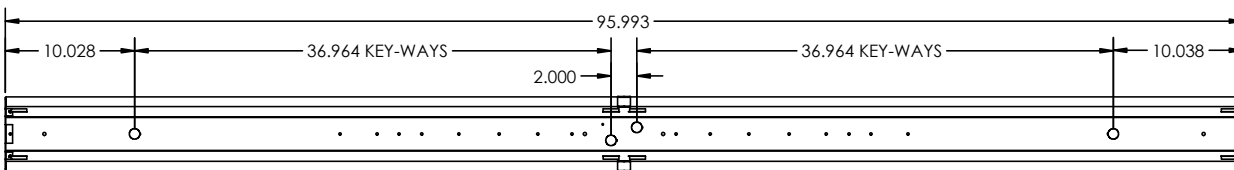


2 Rows of LEDs Distribution

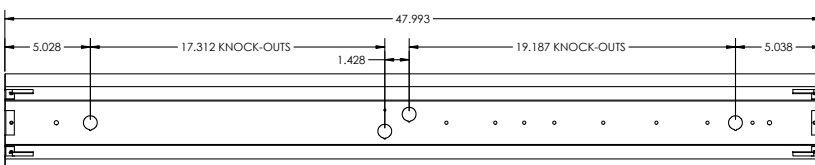


1 Row of LEDs Distribution

### 96L Back



### 48L Back





**JOB NAME:**

**CAT#:**

**TYPE:**

**ORDERING**

EXAMPLE: 772N 48 LED 23 DMV 30 EM WP

772N		LED					
1. SERIES	2. SIZE	3. GEAR	4. WATTAGE/LUMENS	5. DRIVER <sup>1</sup>	6. COLOR TEMP	7. EMERGENCY (O) <sup>2</sup>	
<b>772N</b> 5" Narrow Wraparound	<b>48</b> 48"	<b>LED</b>	<b>4 ft.</b>				<b>EM</b> 10W, 1200 Lumen Battery backup
	<b>96</b> 96"		<b>24</b> 24 Watts 2800 Lumens	<b>DMV</b> 120-277VAC 0-10V Dimmable	<b>30</b> 3000K	<b>35</b> 3500K	
			<b>32</b> 32 Watts 4000 Lumens	<b>SDMV</b> Stepdimming 120- 277VAC 100-40%	<b>40</b> 4000K	<b>EM5</b> 5W 600 Lumen Battery Backup	
			<b>48</b> 48 Watts 5700 Lumens		<b>50</b> 5000K		
			<b>72</b> 72 Watts 8700 Lumens				
			<b>8 FT.</b>				
			<b>48</b> 48 Watts 5600 Lumens				
			<b>65</b> 65 Watts 8000 Lumens				
			<b>97</b> 97 Watts 11400 Lumens				

**8. WHIP (O)<sup>2</sup>**

**WP** 6' Whip 3  
Wire

\*See cord & whip ordering chart below

*Cord & Whip Ordering Chart (Add to End of Fixture Part Number)						
Part No.	# of Wires	Length	End Fitting	Finish	Voltage	Amps (TL Only)
WP - Whip CS - Cordset	(Blank) 3 Wire 4 - 4 Wire 5 - 5 Wire 6 - 6 Wire	(Blank) 6 feet 8 - 8 feet 10 - 10 feet 12 - 12 feet 15 - 15 feet	(Blank) No Plug P* - Standard Plug TL* - Twist Lock	BK - Black WH - White	(Blank) 120-277V 120 - 120V 277 - 277V 347 - 347V 480 - 480V	15 - 15 Amps 20 - 20 Amps

**Notes:**

<sup>1</sup>Consult fr Triac dimming

<sup>2</sup>(O) is optional

**NOTE:** Values shown are typical or recorded under standardized conditions at 25°C. Actual performance may vary based on environment or application. Specifications are subject to change without notice. We reserve the right to change design, materials, LED's and finish in any way that will not alter installed appearance or reduce function and performance.

