

Series LLLSC

SC LED Linear Lines of Light

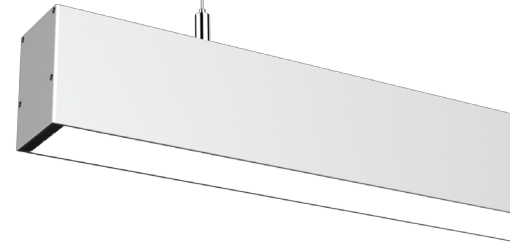
Saylite introduces an eye-catching selection of LED Linear Lighting channels that can be surface or pendant mounted individually or in a continuous run that put a line of light where you want it with unmatched styling and energy efficiency. Ideal for general lighting applications in both commercial and residential applications for circulation spaces, high impact areas and residentially over tables, kitchen islands and home offices. The versatility and clean styling makes this an ideal choice in many applications. Each Linear Channel is available in popular sizes, four or eight feet, or can be custom sized for your specific application within some small parameters or can be joined together for longer runs. Each channel requires a remote 24 volt driver sized to the wattage of the channel to power the LED Tape.

CONSTRUCTION

Anodized Aluminum Channel is lightweight, small dimensions, and dissipates heat well, designed especially for the flexible LED Tape. Highly tooled plastic end caps screw onto the aluminum channel and protect the channel and LED tape from dust and keep the LED Tape clean and in optimum condition. A raceway in the back of the channel provides both a heat sink for the LED Tape and a holder for screws to pendant mount the Channels.

MOUNTING

The channels can be suspended or flush mounted. Flush mounting requires fastening the channel to the surface from inside the Channel prior to adding the LED Tape. So for surface mounting order Channel and LED separately. The channels are factory or field cuttable to any length but exact length should be determined by the application and the exact length of LED Tape that will provide smooth, consistent lighting through out. Joiner splines are available to join Channels together. Snap in flush frosted lens is specially formulated for smooth illumination of the LED Tape.



FIXTURE DIMENSIONS

48L: 1.92"W x 47.75"L x 2.5"H

96L: 1.92"W x 97"L x 2.5"H

SPECIFICATIONS

- Many lumen package / wattage options via programmable drivers
- Multiple Kelvin temperature options (3000K, 4000K)
- Emergency battery backup options available
- CRI >80 (90 CRI available)
- >50,000 hrs of L70 LED life
- Rated for dry and damp locations
- 0-10 Volt dimmable 120-277V
- Power factor >0.90
- 5 year warranty

ORDERING GUIDE

Factory at your fingertips. Fill in the blanks to create your part number or create a custom configuration.

Sample Part Number:

SERIES	LENGTH		WATTAGE*1		CCT/CRI		FINISH ²	
LLLSC 2" Rectangular Body	48L	47.75"L	58W3456L	58 Watts, 3,456 Lumens	30K	3000K 80 CRI	SA	Satin Aluminum
	96L	97"L	115W6912L	115 Watts, 6,912 Lumens				

Specifying Custom Size	*Determine the Size (Choose any Size from 2" to 98" in 2" Increments) ____L - Custom Length in Inches in 2" Multiples	**Calculate Wattage and Lumens Wattage: Multiply Length in Inches x 1.22 Lumens: Multiply Length in Inches x 73.15 ____W = 1.22 x ____Inches ____L = 73.15 x ____Inches
------------------------	--	--

SERIES	LENGTH		FINISH ²	
LLLSCE 2" Rectangle Body	48L	47.75"L	SA	Satin Aluminum
	96L	97"L		

Specifying Custom Size	*Determine the Size (Choose any Size from 2" to 98" in 2" Increments) ____L - Custom Length in Inches in 2" Multiples
------------------------	--

SERIES	LENGTH		WATTAGE*1		VOLTAGE	CCT/CRI	
LLLSCT	48L	47.75"L	58W	58 Watts	24V	30K	3000K 80 CRI
	96L	97"L	115W	115 Watts			

Specifying Custom Size	*Determine the Size (Choose any Size from 2" to 98" in 2" Increments) ____L - Custom Length in Inches in 2" Multiples	**Calculate Wattage and Lumens Wattage: Multiply Length in Inches x 1.22 Lumens: Multiply Length in Inches x 73.15 ____W = 1.22 x ____Inches ____L = 73.15 x ____Inches
------------------------	--	--

Mounting Kits (Order Separately)

Part Number	Descriptions
HC601WH*	Cable kit with 6' Cable and Power feed/Cable Incl. and White Canopy
HC602WH*	Cable kit with 12' Cable and Power feed/Cable Incl. and White Canopy

*Consult for different color canopies

Accessories (Order Separately)

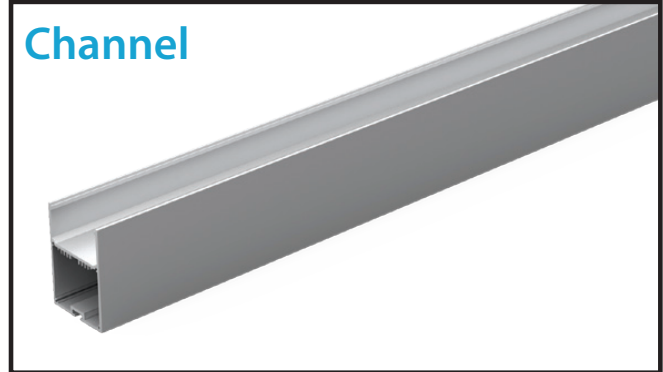
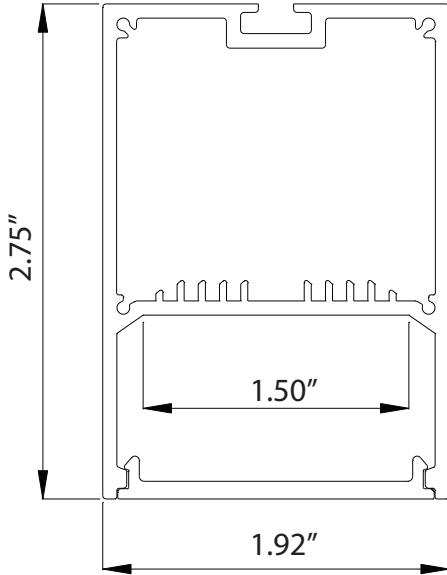
Part Number	Descriptions
LLLSCCAPSA	Extra End Caps - Satin Aluminum
LLLRAJOIN	Joiner to Join Two Channels

Drivers - Choice of Magnetic or Electronic Drivers.

Magnetic Driver from Magnitude is Dimmable with any Standard MLV Triac Dimmer or Electronic Driver from AC Electronic is Dimmable with 0 - 10 Volt Dimming. See Driver Specification Sheets for details.

Brand	Part Number	Maximum Wattage	Dimensions	Remote Distance (max)
Magnitude	MTIM40L24DC	40W	5.6"L X 2.14"W X 2"H	20ft
Magnitude	MTIM60L24DC	60W	6.55"L X 2.55"W X 2.25"H	15ft
Magnitude	MTIM100L24DC	100W	6.55"L X 2.55"W X 2.25"H	10ft
Magnitude	MTIM150L24DC	150W	6.55"L X 2.55"W X 2.25"H	5ft
AC Electronic	ACA25VD24H104	25W	9.5L" X 1.7"W X 1.14" H	18ft
AC Electronic	ACA60VD24H25	60W	9.5L" X 1.7"W X 1.14" H	18ft
AC Electronic	ACA100VD24H41	100W	9.5L" X 2.4"W X 1.46" H	18ft

Output Voltage - 24VDC.

PRODUCT IMAGES & DIMENSIONS**LED Tape**

Suspension using cable kit. (Order Separately)



**1 canopy provided
with cable kit.**