



Texas Fluorescents
Reinvented

CATALOG#: _____
PROJECT: _____
TYPE: _____

Series L34R

LED Recessed Grid Mount Linear Fixture

Full body micro silhouette makes a bold statement with a minimal design in post-painted in powder coated flat white polyester finish (consult factory for other finishes). Scaled to the LED module the matte white diffuser surrounds the LEDs for soft lighting. Fixture can be recessed mounted on grid ceiling or pendant mounted with specially engineering cable mounting kit. See pendant specification sheet for details.

CONSTRUCTION

Die-formed and welded 22-gauge cold rolled steel. Easy to install. Fixtures are designed for individually or in continuous runs.

DIFFUSERS

Special LED formulated frosted lenses with snap in feature for easy access.

TYPICAL OPTIONS & ACCESSORIES

Cord sets, whips, occupancy sensors, etc. Contact factory for more details.



DIMENSIONS

- 2ft.-24"L x 2.375"W x 3.25"H
- 4ft.-48"L x 2.375"W x 3.25"H
- 8ft.-96"L x 2.375"W x 3.25"H

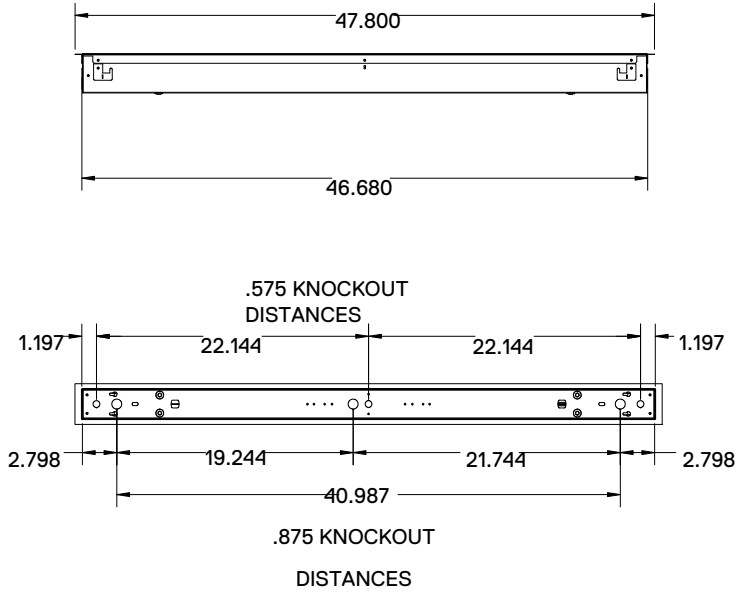
FEATURES & BENEFITS

- Can be recessed mounted to the T-grid ceiling
- Attractive source of direct lighting for any indoor applications
- Integral driver, snap-fit lens
- Easy installation
- Available in custom finish. Consult factory for details.
- 50,000 hrs of L70 LED life
- CRI >80
- 0-10 Volt dimmable 120-277V or Triac/ELV dimming at 120V
- Power factor 0.99
- IC rated for dry or damp location
- 5 year warranty

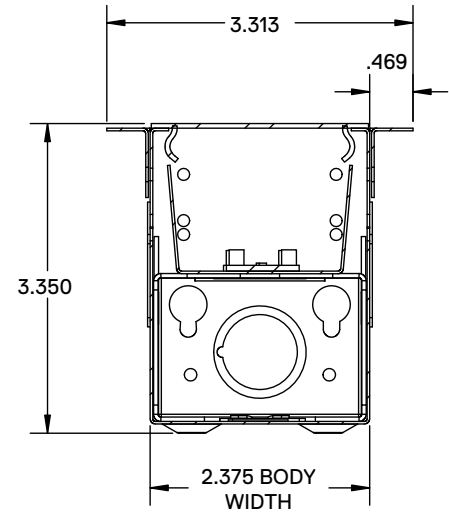


DRAWINGS AND DIMENSIONS

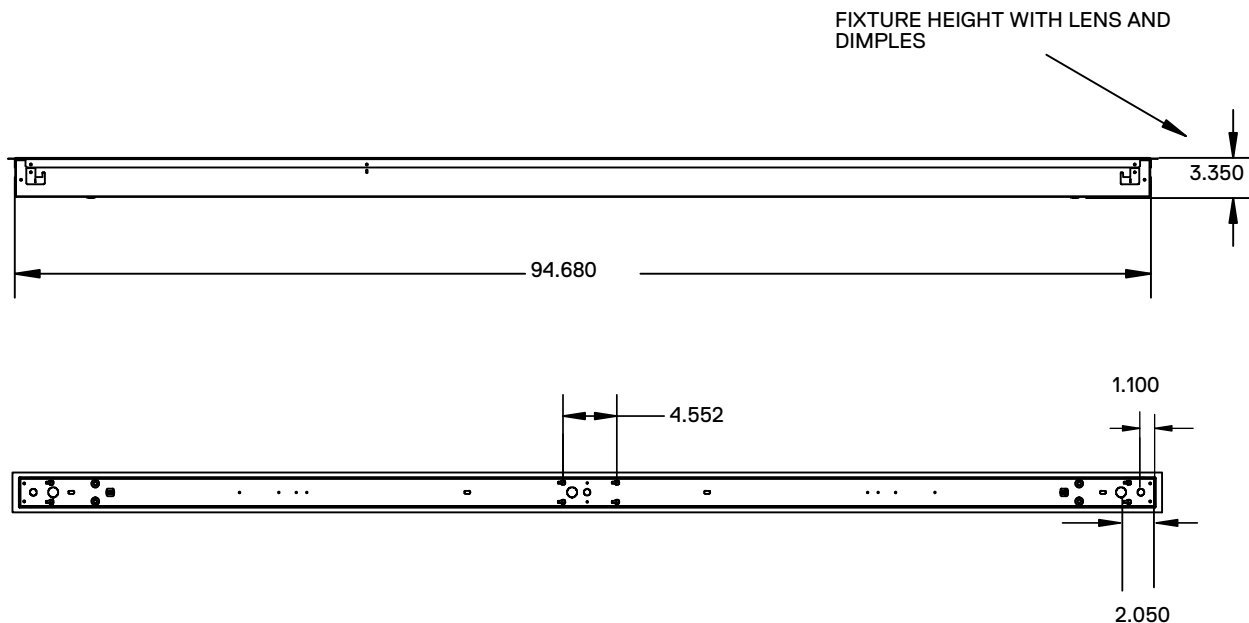
4 ft. - Back View



END VIEW



8 ft. - Back View



We reserve the right to change design, materials, LED's and finish in any way that will not alter installed appearance or reduce function and performance.

ORDERING INFORMATION

SERIES	LENS MATERIAL		SIZE		WATTAGE & LUMENS		DRIVER		CRI		CCT					
L34R Recessed for T-Grid Ceiling	SF	Snap in Frosted Lens	24L	24"	T13W1300L	13 Watts 1300 Lumens	DMV G120	0-10V Dimming ELV/Triac dimming at 120V only	Blank	80CRI 90CRI	30K	3000K				
					T22W2200L	22 Watts 2200 Lumens							D1MV	0-10V Dimming (only available with SS sensor)	35K	3500K
					T26W2600L	26 Watts 2600 Lumens										
			48L	48"	T38W3800L	38 Watts 3800 Lumens	DMV(xx)	0-10V Dimming (dim to 1%) (xx) for percentage of light output when not occupied. (required for SV sensor)	50K	5000K						
					T45W4500L	45 Watts 4500 Lumens										
					T52W5200L	52 Watts 5200 Lumens										
			96L	96"	T76W7600L	76 Watts 7600 Lumens										
					T90W9000L	90 Watts 9000 Lumens										
							*	*								

FINISH		CONFIGURATION	
WH	White	Blank	Individual
BK	Black	-B	Beginner Run
SI	Silver	-E	Ender Run
		-J	Joiner

Note:

*Programmable LED drivers allow custom configured wattages and corresponding lumens.

We reserve the right to change design, materials, LED's and finish in any way that will not alter installed appearance or reduce function and performance.