



Texas Fluorescents
Reinvented

CATALOG#: _____
PROJECT: _____
TYPE: _____

Series HOTBD

LED Surface Mount Close-to-ceiling Wall and Vanity

The new close-to-ceiling vanity is offering multiple color temperature in the same unit with an internal DIP switch. It comes in 3000K, 3500K and 4000K options. White prismatic lens and classic appearance with Satin Nickel finish ends enhance the look of the decorative vanity. It is perfect for bathroom, dressing table, mirror cabinets, vanity table and art display etc.

CONSTRUCTION

Die-formed Cold-rolled Steel. Linear sided prismatic lens of extruded acrylic.

MOUNTING

Surface Mount



DIMENSIONS

F17T8 - 24.75L x 6.0W x 4.25H
F25T8 - 36.75L x 6.0W x 4.25H
F32T8 - 48.60L x 6.0W x 4.25H

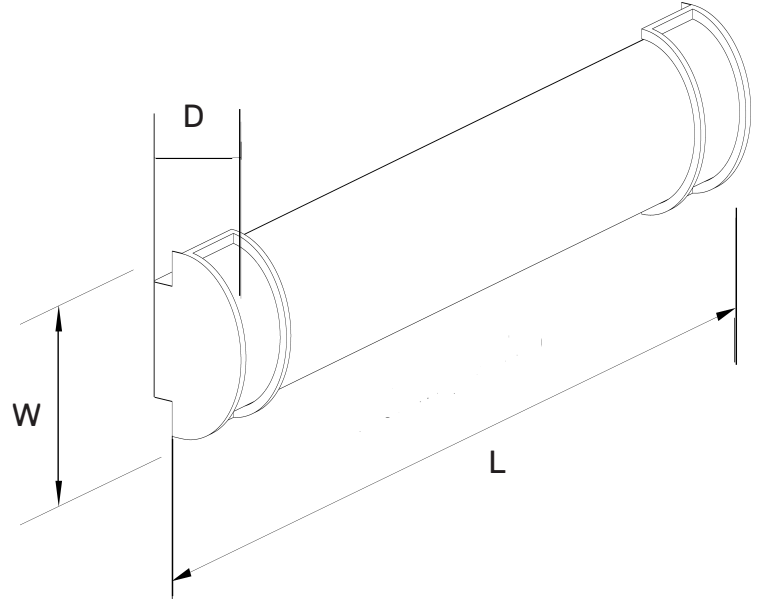
FEATURES & BENEFITS

- Linear sided prismatic lens of extruded acrylic
- Multiple color temperature options
- Internal DIP switch
- default at 3000K
- Surface mount only
- Suitable for dry or damp location
- Rated at 50,000 hrs of L70 LED life
- CRI >80
- 120 Volt dimmable
- Power Factor >0.98
- Operating Temperature -40° to 50°C
- 5 year warranty.



DRAWINGS & IMAGES

PART	L	W	D
HOTBD24L	24.625"	5.875"	4.375"
HOTBD36L	36.625"	5.875"	4.375"
HOTBD48L	48.25"	5.875"	4.375"



ORDER INFORMATION

ITEM NUMBER	DESCRIPTION
HOTBD24L23W2195LMVSNMCT	Close-to-ceiling LED Wall and Vanity - 23 Watt, 2195 Lumens, 120V-277V, Satin Nickel Finish, White Diffuser, Multiple Color Temperature Options, 3000K, 3500K and 4000K
HOTBD36L34W3260LMVSNMCT	Close-to-ceiling LED Wall and Vanity - 34 Watt, 3260 Lumens, 120V-277V, Satin Nickel Finish, White Diffuser, Multiple Color Temperature Options, 3000K, 3500K and 4000K
HOTBD48L48W4590LMVSNMCT	Close-to-ceiling LED Wall and Vanity - 48 Watt, 4590 Lumens, 120V-277V, Satin Nickel Finish, White Diffuser, Multiple Color Temperature Options, 3000K, 3500K and 4000K

NOTE: Values shown are typical or recorded under standardized conditions at 25°C. Actual performance may vary based environment or application. Specifications are subject to change without notice. We reserve the right to change design, materials, LED's and finish in any way that will not alter installed appearance or reduce function and performance.