

Series CLF

1.5" Wide LED Recessed Linear Lines of Light for Hard Ceilings (Sheetrock Only)

Series CLF provides an elegant and uniform line of light only 1.5 inches wide to seamlessly blend into hard sheetrock ceilings. Series CLF is offered either with a crisp, white flange (to make installation simple after drywall has been installed) or with a flangeless appearance where only the narrow lens shows. (The flangeless variety includes a specially-designed, mud-in flange which can be adjusted to 1/8", 1/2" or 5/8" to match sheetrock thicknesses and mud-in installation methods.)

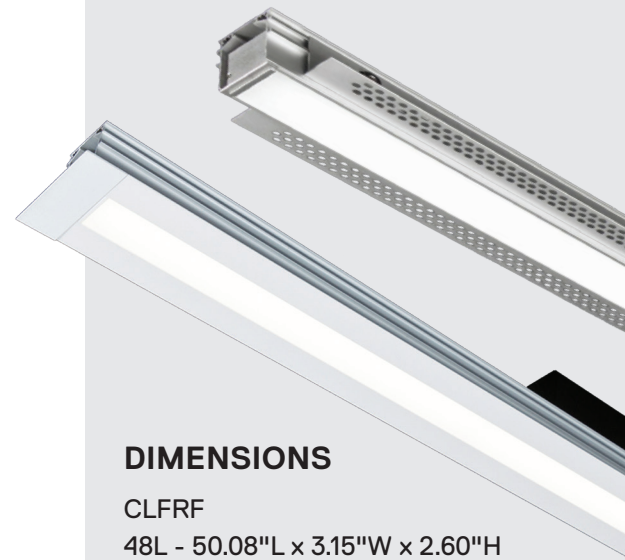
The Series CLF is available in 4 or 8 foot sections that can be used individually or joined together for longer continuous runs. A uniquely designed kit that includes a 3 foot, 2 foot and 1 foot channel can also be used to make one six foot channel or used individually for a unique look with three cascading sizes of 1, 2 and 3 foot channels. The 3 foot channel of this kit, and the 4 and 8 foot channels have integral drivers; the 3 foot has a unique plug-and-play wiring system with its integral driver to power the 1ft and 2ft channels with a 6 ft cord (consult for longer cords). These use frosted lenses, provide 750 lumens per foot in 3000K or 4000K options and come with 0-10V dimming as a standard feature.

Series CLF fixtures are scalable for commercial applications, especially in corridors, elevator vestibules, conference rooms and retail applications, as well as for residential applications.

CONSTRUCTION

Series CLF fixtures utilize aluminum extrusions specially designed for a narrow, elegant look in two parts. This allows the housing to be easily blocked in during framing. The special two-part design allows the recessed housing to be installed first and the LED channel with lens to be installed during trim out with a unique, heavy-duty magnet system that does not require tools.

The frosted lens provides comfortable, smooth lighting. Knockouts in the driver compartment allow easy wiring to the fixture for both individual and continuous runs. The 3 ft channel available in the 6 ft kit comes with an integral driver and female connectors to allow separate 2ft and 1 ft channels to be either mounted separately up to 6 ft apart (consult for longer separations) or to be joined in one continuous 6 ft run (or longer with additional channels).



DIMENSIONS

CLFRF

48L - 50.08"L x 3.15"W x 2.60"H

96L - 98.07"L x 3.15"W x 2.60"H

CLFRR

48L - 48.43"L x 1.48"W x 2.60"H

96L - 96.42"L x 1.48"W x 2.60"H

FEATURES & BENEFITS

- Flanged (RF) or Flangeless (RR)
- Suitable for individual or continuous run installations; modular in 4' and 8' segments with their own integral drivers, or with a 6' kit that contains 1', 2' and 3' segments power by a single integral driver in the 3' segment
- Rough in and trim system
- Easy installation
- Aluminum extrusions in two parts that allow for quick, magnetic, toolless installation of lenses
- Ideal for corridors, elevator vestibules, conference rooms, retail & residential applications, or anyplace with a hard sheetrock ceiling where an alternative to standard downlights is desired
- Driver Electromagnetic Compliance. FCC Title 47 Part 15 Class A
- Life >50,000 hours
- Operating temperature -20°C to 55°C
- Dimming: 0-10V 120-277V
- CRI >80
- Suitable for dry and damp locations
- Standard white finish; contact factory for custom finishes



ORDER INFORMATION

Flangeless

ITEM NO.	DESCRIPTION
CLFRRKITDMV30KSA	Recessed Flangeless 3 Piece Set (36.4", 24.4" & 12.4")L x 1.48"W x 2.6"H with Frosted Lens, 45W (total), 4200 Lumens (total), Mult-Volt 0-10V Dimming, 3000K, Satin Aluminum
CLFRR48L30W2800LDMV30KSA	Recessed Flangeless Fixture 48.4"L x 1.48"W x 2.6"H with Frosted Lens, 30W, 2800 Lumens, Mult-Volt 0-10V Dimming, 3000K, Satin Aluminum
CLFRR96L60W5600LDMV30KSA	Recessed Flangeless Fixture 96.4"L x 1.48"W x 2.6"H with Frosted Lens, 60W, 5600 Lumens, Mult-Volt 0-10V Dimming, 3000K, Satin Aluminum

Flanged

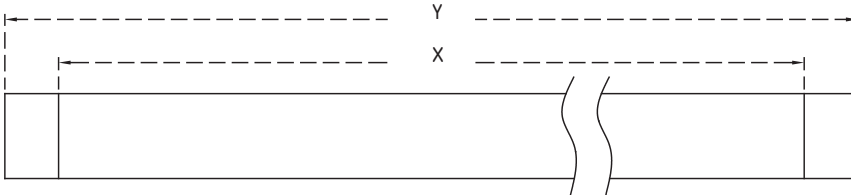
ITEM NO.	DESCRIPTION
CLFRFKITDMV30KSA	Recessed Flanged 3 Piece Set 3.2"W x 1.4"H [38.1", 26.1" & 14.1" lengths] w/Frst 1.5"W Lens, 45W (total), 4200 Lumens (total), Mult-Volt 0-10V Dimming, 3000K, Satin Aluminum
CLFRF48L30W2800LDMV30KSA	Recessed Flanged Fixture 50.0"L x 3.2"W x 1.4"H w/Frst 1.5"W Lens, 30W, 2800 Lumens, Multi-Volt 0-10V Dimming, 3000K, Satin Aluminum
CLFRF96L60W5600LDMV30KSA	Recessed Flanged Fixture 99.1"L x 3.2"W x 1.4"H Extrusion wFrst 1.5"W /Lens, 60W, 5600 Lumens, Multi-Volt 0-10 Dimming, 3000K, Satin Aluminum

We reserve the right to change design, materials, LEDs and finish in any way that will not alter installed appearance or reduce function and performance.

Series CLF

1.5" Wide LED Recessed Linear
Lines of Light for Hard Ceilings
(Sheetrock Only)

DRAWINGS & IMAGES



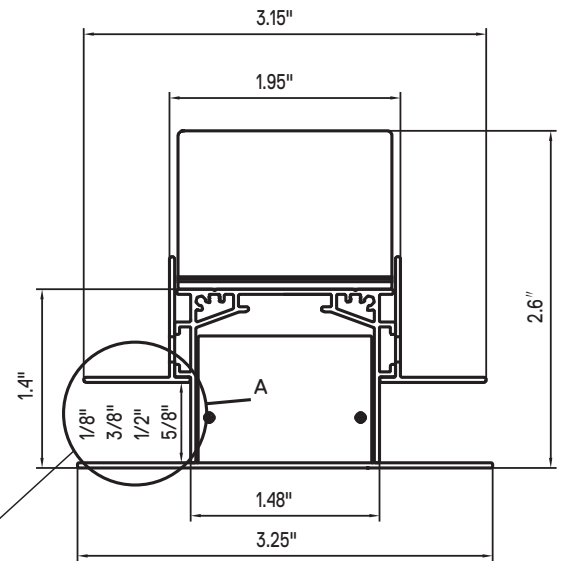
CLFRF Legnth Options

PART	X*	Y**
CLFRF12L	12.30"	14.06"
CLFRF24L	24.30"	26.06"
CLFRF36L	36.30"	38.07"
CLFRF48L	48.31"	50.08"
CLFRF96L	96.30"	98.07"

* Lens length

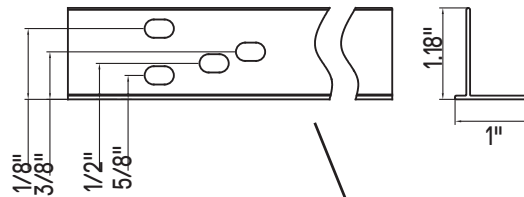
** Flange length

CLFRF End View



Detail A

Height adjustable mud-in
bracket accommodates
multiple sheetrock dimensions



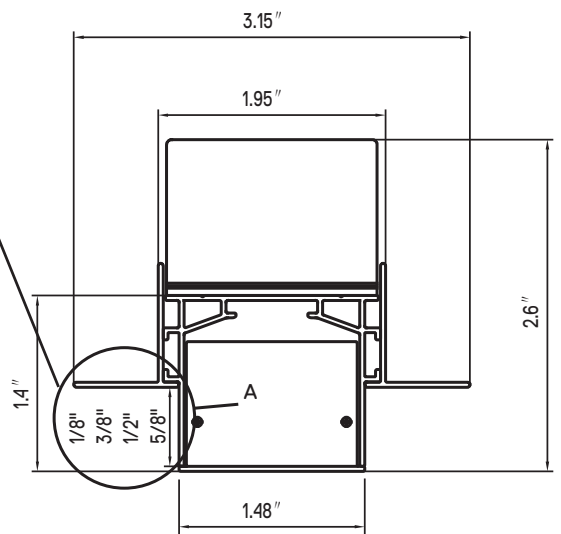
CLFRR Length Options

PART	X*	Y**
CLFRR12L	12.30"	12.40"
CLFRR24L	24.30"	24.40"
CLFRR36L	36.30"	36.40"
CLFRR48L	48.31"	48.43"
CLFRR96L	96.30"	96.42"

* Flange length

** Overall length

CLFRR End View



CATALOG#: _____
PROJECT: _____
TYPE: _____

Series CLF

1.5" Wide LED Recessed Linear
Lines of Light for Hard Ceilings
(Sheetrock Only)

CLFRFKIT OR CLFRRKIT

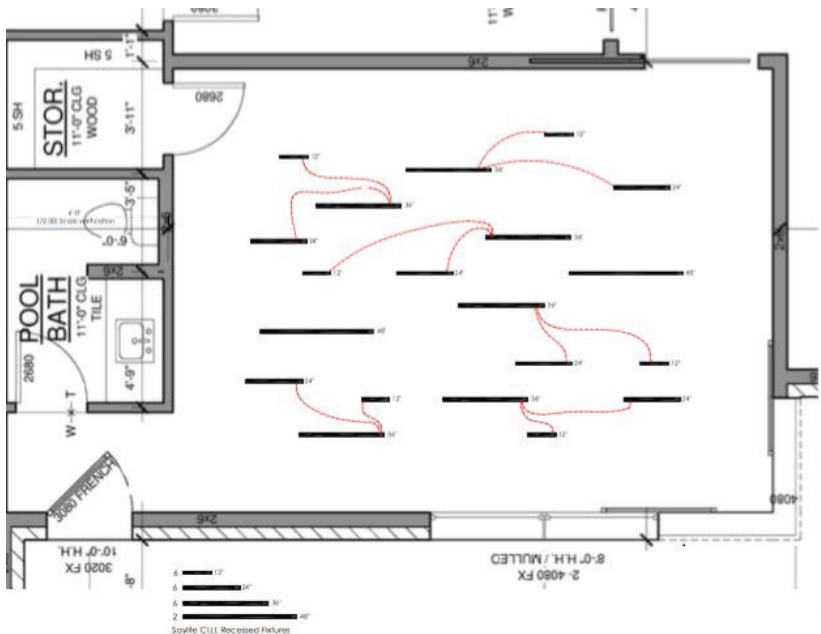
- Included 1ft, 2ft and 3ft units
- 45W
- 4200 Lumens
- 0-10V Dimming
- 120V to 277V
- Available in 3000K or 4000K
- White Finish (consult factory for custom finish)



MULTIPLE SIZES TO CREATE INFINITE LAYOUTS

Flanged or flangeless appearance

Available in 4ft or 8ft lengths that can be used individually or together, and an innovative 6ft kit can be used together or separated into 1ft, 2ft and 3ft lengths.



ROUGH IN AND TRIM SYSTEM

Separate housing installs easily during rough-in. LED trim installs quickly during trim out with innovative magnetic system.



ENDLESS LINES OF LIGHT

Connect multiple fixtures for continuous runs.





Texas Fluorescents
Reinvented

CATALOG#: _____

PROJECT: _____

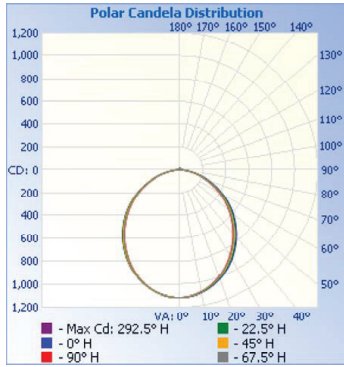
TYPE: _____

Series CLF

1.5" Wide LED Recessed Linear
Lines of Light for Hard Ceilings
(Sheetrock Only)

PHOTOMETRIC

48L-CLFRR48L30W2800LDMV30KSA



Zone	Lumens	% Lamp	% Luminaire
0-30	843.5	28.6%	28.6%
0-40	1,359.6	46.2%	46.2%
0-60	2,334.8	79.3%	79.3%
60-90	574.1	19.5%	19.5%
70-100	239.5	8.1%	8.1%
90-120	12.6	0.4%	0.4%
0-90	2,908.9	98.8%	98.8%
90-180	36.3	1.2%	1.2%
0-180	2,945.1	100%	100%

