



Texas Fluorescents
Reinvented

CATALOG#: _____
PROJECT: _____
TYPE: _____

Series 45P

LED Pendant Mount Linear Fixture

A linear 4 x 5 fixture for distinctive architectural lighting plans. Ideal for corridors, lobbies, and office areas, 4 x 5 Series fixtures can be installed individually or in a continuous run. Specially designed for direct/indirect lighting with snap in lens to hide the lamps or LED arrays. Ideal where downlight and uplight are required.

CONSTRUCTION

Die-formed and welded 22-gauge cold rolled steel. Knockouts on ends allow continuous wireway mounting. Housing is specially designed for direct/indirect lighting with separating lamps compartments for each.

DIFFUSERS

Fixture accepts various lenses or louvers. 4' and 8' units have a steel mullion to join two individual diffusers. Snap-in reflector is ideal for uplight lens.

TYPICAL OPTIONS & ACCESSORIES

Cord sets, whips, occupancy sensors, hanging kits, wire guards. Contact factory for more details.



DIMENSIONS

8ft.-4"W x 96"L x 5.5"H
4ft.-4"W x 48"L x 5.5"H

FEATURES & BENEFITS

- Can be surface mounted to the ceiling or pendant hung by stem or cable.
- Consult factory for custom length or custom finish
- Can be used individually or in continuous row
- Light is continuous bringing a clean line
- Suitable for commercial or residential areas
- Suitable for dry and damp locations
- 50,000 hrs of L70 LED life
- CRI >80
- 0-10 Volt dimmable 120-277V
- Power factor 0.99
- 5 year warranty





Texas Fluorescents
Reinvented

CATALOG# : _____
PROJECT : _____
TYPE : _____

Series 45P

LED Pendant Mount
Linear Fixture

ORDER INFORMATION

4 Ft.

SERIES	MOUNTING	DIFFUSER	LENGTH	GEAR	UP WATTAGE *1	DOWN WATTAGE *
45	P Pendant	MW Matte white lens (Only available for downlight)	48 48"	LR	U12 6 Watts 600 Lumens	D24 24 Watts 1200 Lumens
		SF Snap-in frosted acrylic lens (85% transmission) Special for LEDs; only available for uplight and downlight			U18 18 Watts 900 Lumens	D36 36 Watts 1800 Lumens
		U24 24 Watts 900 Lumens			D48 48 Watts 1800 Lumens	

DRIVER	UP/DOWN CONTROL	FINISH ²	CRI/CCT ³	CONFIGURATION	
DMV 120-277VAC 0-10V Dimming	Blank Paired Up/Down Dimming+control	WH White	30K 3000K 80 CRI	Blank Individual	
G120 ELV/TRIAC Dimming at 120V only		BK Black		-B Beginner Run	
D1MV 120-277VAC 0-10V Dimming (dim to 1%)	11 Separate Up/Down Dimming+control	SI Silver	35K 3500K 80 CRI	-E Ender Run	
SRMV 120-277VAC Phillips Sensor-Ready		** Custom Color		40K 4000K 80 CRI	-J Joiner
DALMV 120-277VAC DALI Dimming		50K 5000K 80 CRI			

OPTIONS	
HANGING KIT	SENSOR
HC301WH Cable kit with 4' cable & 3 wires power feed/cable incl. and white canopy	SS On/Off Sensor
HC302WH Cable kit with 12' cable & 3 wires power feed/cable incl. and white canopy	SV Bi-Level Sensor
HC3015WWH Cable kit with 4' cable & 5 wires power feed/cable incl. and white canopy	SD Daylight Harvesting Sensor
HC3025WWH Cable kit with 12' cable & 5 wires power feed/cable incl. and white canopy	SM Microwave Sensor
HC3016WH Cable kit with 4' cable & 6 wires power feed/cable incl and white canopy	
HC3026WH Cable kit with 12' cable & 6 wires power feed/cable incl and white canopy	
2SCS24WH Two stem kits with 24" stem, canopy and mounting hardware for a 4' fixture	
PI1 3 wires harness, including white, black and green	
PI2 4 wires harness, including white, black, green and blue for emergency battery backup	
PI3D 5 wires harness, including white, black, green, violet and gray	

Note:

*Programmable LED drivers allow custom configured wattages and corresponding lumens.

We reserve the right to change design, materials, LED's and finish in any way that will not alter installed appearance or reduce function and performance.



Texas Fluorescents
Reinvented

CATALOG# : _____
PROJECT : _____
TYPE : _____

Series 45P

LED Pendant Mount
Linear Fixture

ORDER INFORMATION

8 Ft.

SERIES	MOUNTING	DIFFUSER	LENGTH	GEAR	UP WATTAGE *1	DOWN WATTAGE *
45	P Pendant	MW Matte white lens (Only available for downlight)	96 96"	LR	U24 24 Watts 2400 Lumens	D48 48 Watts 4800 Lumens
		SF Snap-in frosted acrylic lens (85% transmission) Special for LEDs; only available for uplight and downlight			U36 36 Watts 3600 Lumens	D72 72 Watts 7200 Lumens

DRIVER	UP/DOWN CONTROL	FINISH ²	CRI/CCT ³	CONFIGURATION
DMV 120-277VAC 0-10V Dimming	Blank Paired Up/Down Dimming+control	WH White	30K 3000K 80 CRI	Blank Individual
G120 ELV/TRIAC Dimming at 120V only		BK Black		-B Beginner Run
D1MV 120-277VAC 0-10V Dimming (dim to 1%)	11 Separate Up/Down Dimming+control	SI Silver	35K 3500K 80 CRI	-E Ender Run
SRMV 120-277VAC Phillips Sensor-Ready		** Custom Color		-J Joiner
DALMV 120-277VAC DALI Dimming		40K 4000K 80 CRI		
			50K 5000K 80 CRI	

OPTIONS	
HANGING KIT	SENSOR
HC301WH Cable kit with 4' cable & 3 wires power feed/cable incl. and white canopy	SS On/Off Sensor
HC302WH Cable kit with 12' cable & 3 wires power feed/cable incl. and white canopy	SV Bi-Level Sensor
HC3015WWH Cable kit with 4' cable & 5 wires power feed/cable incl. and white canopy	SD Daylight Harvesting Sensor
HC3025WWH Cable kit with 12' cable & 5 wires power feed/cable incl. and white canopy	SM Microwave Sensor
HC3016WH Cable kit with 4' cable & 6 wires power feed/cable incl and white canopy	
HC3026WH Cable kit with 12' cable & 6 wires power feed/cable incl and white canopy	
2SCS24WH Two stem kits with 24" stem, canopy and mounting hardware for a 4' fixture	
PI1 3 wires harness, including white, black and green	
PI2 4 wires harness, including white, black, green and blue for emergency battery backup	
PI3D 5 wires harness, including white, black, green, violet and gray	

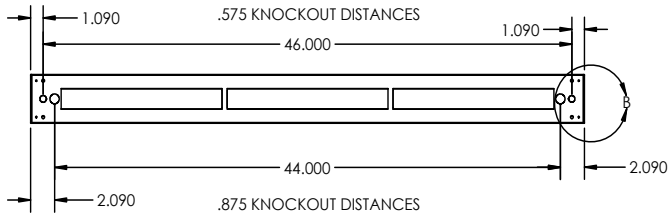
Note:

*Programmable LED drivers allow custom configured wattages and corresponding lumens.

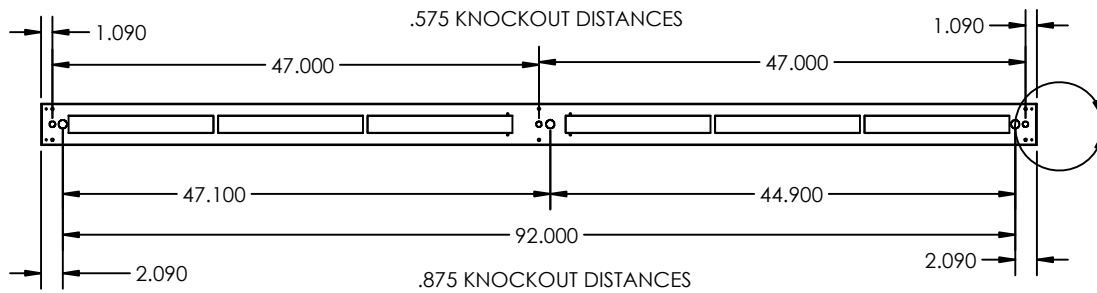
We reserve the right to change design, materials, LED's and finish in any way that will not alter installed appearance or reduce function and performance.

DRAWINGS & IMAGES

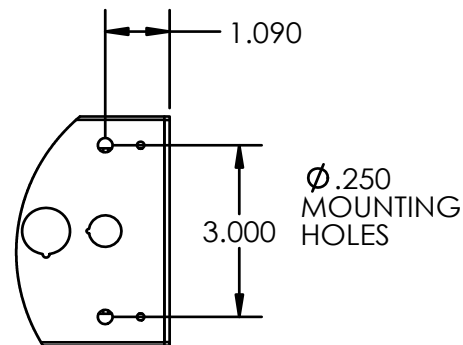
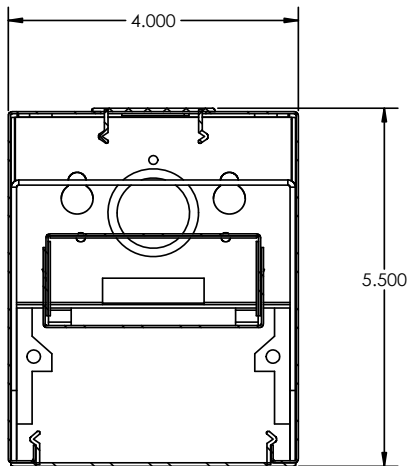
4 ft. - Back



8 ft. - Back



End View



DETAIL B



Uplight & Downlight



Continuous Run End



Wall/Pendant Mount