

Series 45

LED Linear Pendant 4" X 5" Uplight And Downlight

A linear 4 x 5 fixture for distinctive architectural lighting plans. Ideal for corridors, lobbies, and office areas, Series 45 fixtures can be installed individually or in a continuous run. Specially designed for direct/indirect lighting with snap-in lens to hide the lamps or LED arrays. Ideal where downlight and uplight are required.

CONSTRUCTION

Die-formed and welded 22-gauge cold-rolled steel. Knockouts on ends allow continuous wireway mounting. Housing is specially designed for direct/indirect lighting with separating lamps compartments for each.

DIFFUSERS

Fixture accepts various lenses or louvers. 2', 4' and 8' units have a steel mullion to join two individual diffusers. Snap-in reflector is ideal for uplight lens.

TYPICAL OPTIONS & ACCESSORIES

Cord sets, whips, occupancy sensors, hanging kits, wire guards. Emergency battery backup option available. Contact factory for more details.



DIMENSIONS

2ft. - 24"L x 4"W x 5.1"H

8ft. - 96"L x 4"W x 5.1"H

4ft. - 48"L x 4"W x 5.1"H

Custom lengths available;
contact factory


FEATURES & BENEFITS

- Pendant mount hung by stem or cable; wall mount also possible
- For individual use or lined up in a continuous row, resulting in a clean line of light
- Recommended for commercial & residential applications
- CRI: >80 standard, 90 optional
- L70: >50,000 Hours
- Dimming: 0-10V 120-277V standard, 120V ELV/TRIAC optional
- CCT: 4000K standard, optional 3000K, 3500K, 5000K; consult factory for RGBW option.
- Emergency backup options available
- Power Factor: >0.90
- IC Rated for damp and dry locations
- 5-Year Warranty
- Custom finishes available; contact factory



ORDER INFORMATION

Factory at your fingertips. Fill in the blanks to create your part number or create a custom configuration.

SENSOR	SERIES	LENS MATERIAL	LENGTH	WATTAGE * & LUMENS*	DRIVER	COLOR
SS Sensor - On/Off SV Bi-level (xx) SD Daylight Harvesting 	45W Wall Mount	MW† Matte white regressed lens (Only available for downlight)	24L 24"	UR6WD12W Uplight 6 Watts Downlight 12 Watts 3600 Lumens	DMV 0-10V Dimming	30K 3000K 35K 3500K 40K 4000K 50K 5000K
				UR9WD18W Uplight 9 Watts Downlight 18 Watts 5400 Lumens		
	45P Pendant Mount	SF Snap-in frosted acrylic lens (85% transmission) Special for LEDs; only available for uplight and downlight	48L 48"	UR12WD24W Uplight 12 Watts Downlight 24 Watts 3600 Lumens	D1MV 0-10V Dimming (dim to 1%)	
				UR18WD36W Uplight 18 Watts Downlight 36 Watts 5400 Lumens		
	96L 96"		UR24WD48W Uplight 24 Watts Downlight 48 Watts 7200 Lumens	DMV(xx) 0-10V Dimming (xx) for percentage of light output when not occupied. (required for SV sensor)		
			UR36WD72W Uplight 36 Watts Downlight 72 Watts 10800 Lumens			

† MW lens on the 8' fixture requires a center support bracket to hold it in place

Additional Options

CRI**	FINISH	CONFIGURATIONS	OPTIONS
Blank 80 CRI 90 90 CRI	WH White BK Black SI Silver	Blank Individual B Beginner Run E Ender Run J Joiner	HC301WH Cable kit with 4' cable & 3 wires power feed/cable incl. and white canopy HC302WH Cable kit with 12' cable & 3 wires power feed/cable incl. and white canopy HC3015WWH Cable kit with 4' cable & 5 wires power feed/cable incl. and white canopy HC3025WWH Cable kit with 12' cable & 5 wires power feed/cable incl. and white canopy HC3016WH Cable kit with 4' cable & 6 wires power feed/cable incl and white canopy HC3026WH Cable kit with 12' cable & 6 wires power feed/cable incl and white canopy 2SCS24WH Two stem kits with 24" stem, canopy and mounting hardware for a 4' fixture EM 10W Emergency battery backup (internal, excludes less than 4ft) EM12 12W Emergency battery backup (internal, excludes less than 4ft) EM20 20W Emergency battery backup (remote only)

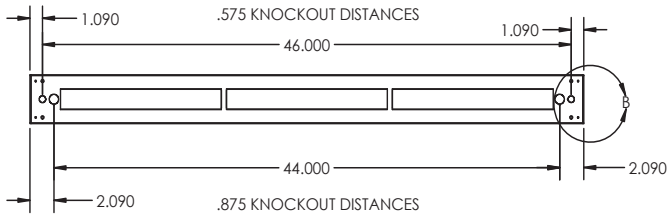
*Programmable LED drivers allow custom configured wattages and corresponding lumens.

** Consult factory for 90 CRI 5000K availability.

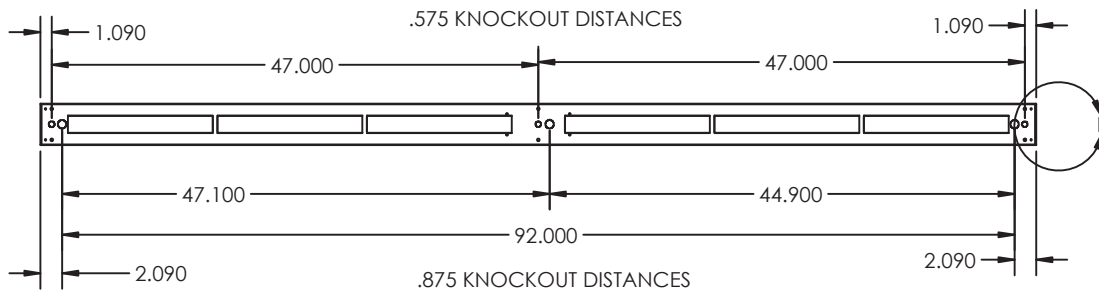
NOTE: Values shown are typical or recorded under standardized conditions at 25°C. Actual performance may vary based environment or application. Specifications are subject to change without notice. We reserve the right to change design, materials, LED's and finish in any way that will not alter installed appearance or reduce function and performance.

DRAWINGS & IMAGES

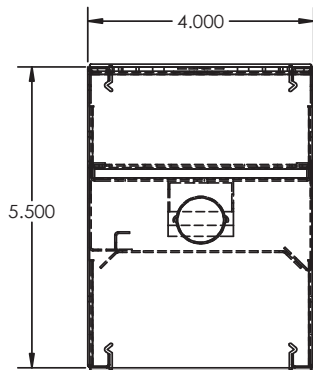
4 ft. - Back



8 ft. - Back



End



REPLACEMENT LENS ORDERING INFORMATION

SERIES	DESCRIPTION
045PSF24L	Replacement Snap-in Frosted lens for 24"
045PSF48L	Replacement Snap-in Frosted lens for 48"
045PSF96L	Replacement Snap-in Frosted lens for 96"



Uplight & Downlight



Continuous Run End



Wall/Pendant Mount