

CATALOG# : \_\_\_\_\_

PROJECT : \_\_\_\_\_

TYPE : \_\_\_\_\_

# Series RRS

## High Output Multi-Function LED Strips

This High Output Multi-Function LED strip offers a family of three different strips to meet a variety of applications in warehouses, retail and utility areas. Available in a cost effective and high output open strip version, a specially designed LED frosted lens version and a narrow focused reflector version. Each version is ideal for different applications and together make a perfect family of products for many industrial and back of house commercial applications. These fixtures can be surface or pendant mounted. Driver box hinges open for easy access to the driver without removing the lens or reflector. Consult for different finishes and different sizes.

### CONSTRUCTION

Housing is die-formed and embossed code 22 gauge steel. Finish is high reflectance baked white enamel. Wiring knockouts are provided on back and end of housing. Ballast cover, reflector or lens attach without tools with hinged construction to simplify ballast access.

### MOUNTING

Surface mount, chain hung, double stem.



Narrow Reflector



Open Strip



Frosted Lensed

### DIMENSIONS

#### Frosted Lens

46L – 46"L x 2.925"W x 3.395"H

92L – 92"L x 2.925"W x 3.395"H

#### White Reflector

46L – 46"L x 4.70"W x 6.20"H

92L – 92"L x 4.70"W x 6.20"H

#### Open

46L – 46"L x 2.925"W x 1.778"H

92L – 92"L x 2.925"W x 1.778"H

### FEATURES & BENEFITS

- 3 types of fixtures with one look: open, reflector and lensed
- Ideal for warehouse and back of house applications
- Reflector version is ideal for aisle lighting
- Easy to join for continuous run applications. Consult to add wiring harness
- Optional sensors and emergency drivers available
- 50,000 hours life to L70
- >80 CRI or 90CRI
- Consult for different finishes, asymmetrical reflector and special lengths
- 5 year warranty



Intertek





CATALOG#: \_\_\_\_\_  
 PROJECT: \_\_\_\_\_  
 TYPE: \_\_\_\_\_

# Series RRS

High Output Multi-Function LED Strips

## ORDER INFORMATION

Factory at your fingertips. Fill in the blanks to create your part number or create a custom configuration.

### RRS

SERIES	LENS		LENGTH		WATTAGE* & LUMENS*		REFLECTOR		DRIVER		CCT/CRI**	
RRS	Blank	No Lens	46L	46"	E28W2700L	28 Watts 2700 Lumens	Blank	No Refl.	DMV	0-10V Dimming Multivolt 120-277	30K	3000K 80 CRI
	E57W5400L	57 Watts 5400 Lumens	(Not available with lens option.)	G120	120V 2 wire TRIAC dimming	40K	4000K 80 CRI					
								92L	92"	E57W5400L	57 Watts 5400 Lumens	50K
	E96W9200L	96 Watts 9200 Lumens	930K	3000K 90 CRI								
					E114W10800L	114 Watts 10800 Lumens	935K	3500K 90 CRI				
	940K	4000K 90 CRI										

### WH

FINISH	OPTIONS	HANGING KIT OPTIONS
WH White	<b>EM14</b> Emergency battery <b>MDT4</b> On/off sensor <b>MDD4</b> Daylight dimming sensor	<b>HC301WH</b> Cable kit with 4' Cable & 3 Wires Power Feed/ Cable Incl. and White Canopy
		<b>HC302WH</b> Cable kit with 12' Cable & 3 Wires Power Feed/ Cable Incl. and White Canopy
		<b>HC3015WWH</b> Cable kit with 4' Cable & 5 Wires Power Feed/ Cable Incl. and White Canopy
		<b>HC3025WWH</b> Cable kit with 12' Cable & 3 Wires Power Feed/ Cable Incl. and White Canopy
		<b>2SCS24WH</b> Two Stem kits with 24" Stem, Canopy and Mounting hardware for a 4' fixture
		<b>GT310</b> Gripple style cable kit

**Note:**

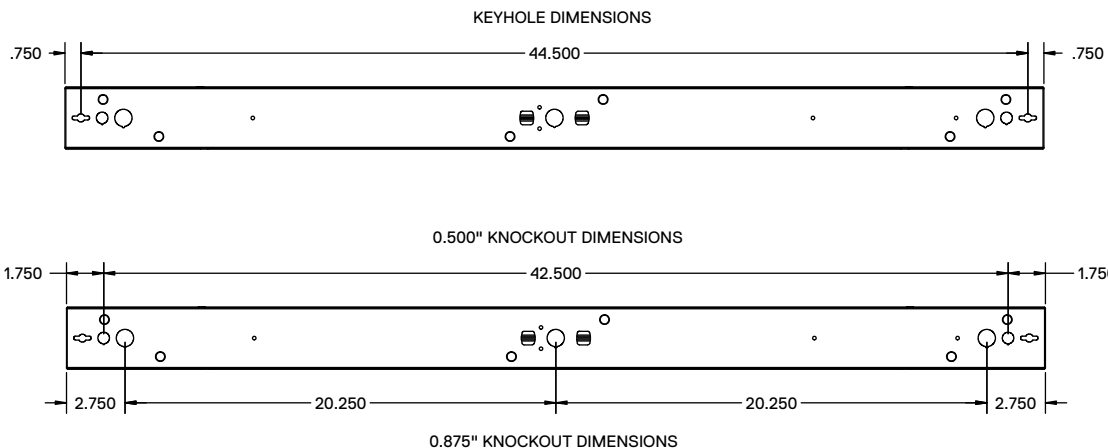
\*Programmable LED drivers allow custom configured wattages and corresponding lumens.

\*\* Consult factory for 90CRI availability.

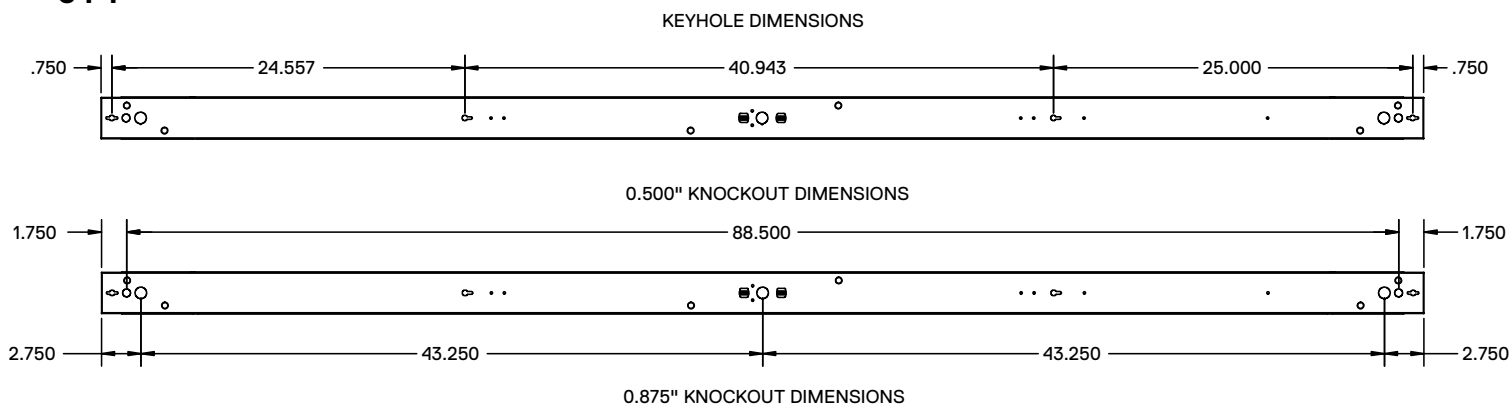
We reserve the right to change design, materials, LEDs and finish in any way that will not alter installed appearance or reduce function and performance.

## DRAWINGS & IMAGES

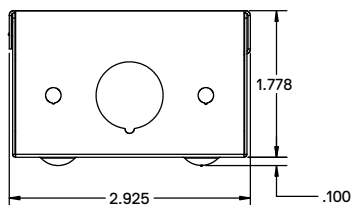
### 4 FT



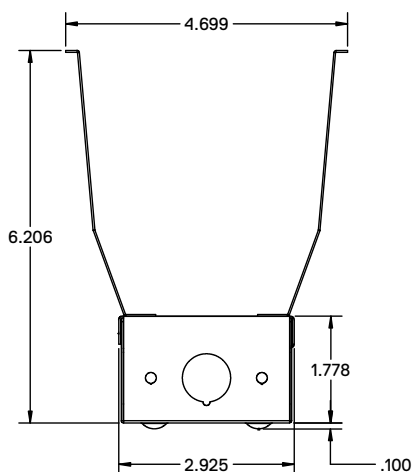
### 8 FT



**Open Strip End View**



**Reflector End View**



**Lens End View**

