



# WRP Series

## Linear Wrap LED Strip Lighting

The WRP Series fixtures are slim, linear wrap strip lights that offer premium lighting in a sleek housing. These fixtures are ideal for office spaces, supermarkets, meeting rooms, and workshops.

### CONSTRUCTION

High quality metal housing with high reflectance lens provides high lumen output. Powder coated white finish offers maximum environmental durability and superior corrosion resistance.

### MOUNTING

Surface mounting options available.

### FIXTURE DIMENSIONS

48L: 2.65"W x 48"W x 3.03"H

### SPECIFICATIONS

- Surface mount options for most ceiling types
- Multiple Kelvin temperature options (3000K, 4000K, 5000K)
- Emergency battery backup options available
- CRI >80
- UL and cUL Listed
- >50,000 hrs of L70 LED life
- 0-10 Volt dimmable 120-277V
- Power factor >0.90
- 5 year warranty



CATALOG#: \_\_\_\_\_  
 PROJECT: \_\_\_\_\_  
 TYPE: \_\_\_\_\_

# WRP Series

## Linear Wrap LED Strip Lighting

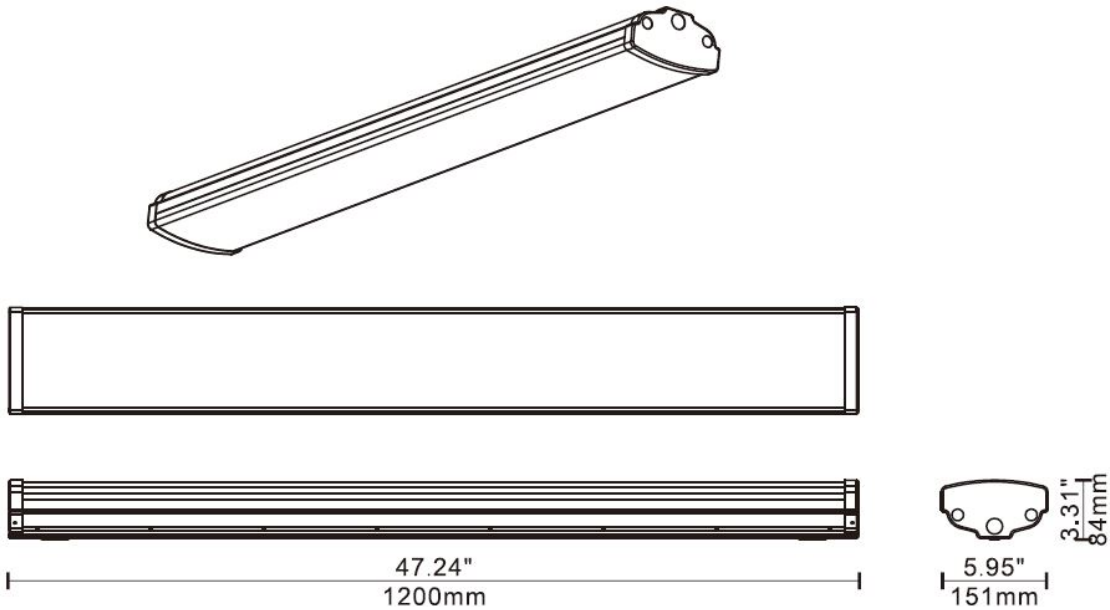
### ORDERING GUIDE

Factory at your fingertips. Fill in the blanks to create your part number or create a custom configuration.

Sample Part Number:

SERIES	LENGTH	WATTAGE & LUMENS*	DRIVER	CCT
WRP	48L 5.95"W x 47.24"L	30M3800M 15 Watts 1,900 Lumens 30 Watts 3,800 Lumens 43 Watts 5,400 Lumens Wattage selectable via 3-position switch	DMV 120-277VAC 0-10V Dimming	MCT Multiple Color Temperature options via 3 position switch

### PRODUCT DIMENSIONS



\*Programmable LED drivers allow custom configured wattages and corresponding lumens.

We reserve the right to change design, materials, LED's and finish in any way that will not alter installed appearance or reduce function and performance.