

Series S25

Wall bracket & Surface / Recessed Mount LED w/Optional Sensor

Full body micro silhouette makes a bold statement with a minimal design in post-painted in powder coated flat white polyester finish (consult factory for other finishes). Scaled to the LED module the matte white diffuser surrounds the LEDs for soft lighting. Fixture can be surface mounted on wall or ceiling or pendant mounted with cable mounting kit.

CONSTRUCTION

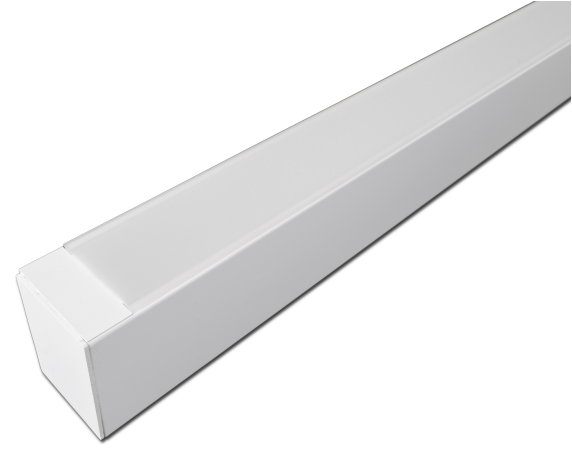
Housing is fully assembled housing is formed and welded 22 gauge steel, chemically treated to resist corrosion and enhance paint adhesion. • Knock-outs on back accept standard electrical fittings (by others). Consult factory for other locations.

MOUNTING

Surface mount or Pendant mount. Horizontal or Vertical.

TYPICAL OPTIONS AND ACCESSORIES

Occupancy Sensor, Whips, fuses, and cord sets. See options page at the end of the T02 Strip section, or contact factory for more details.



FIXTURE DIMENSIONS

24L: 2.375"W x 24"L x 3.25"H

48L: 2.375"W x 48"L x 3.25"H

96L: 2.375"W x 96"L x 3.25"H

SPECIFICATIONS

- 3 standard lengths - 2ft, 4ft, and 8ft
- Surface or pendant mount
- Many lumen package / wattage options via programmable drivers
- Multiple Kelvin temperature options (3000K, 3500K, 4000K, 5000K)
- Emergency battery backup options available
- CRI >80 (90 CRI available)
- >50,000 hrs of L70 LED life
- Rated for dry and damp locations
- 0-10 Volt dimmable 120-277V (120V ELV/TRIAC avail)
- Power factor >0.90
- 5 year warranty



ORDERING GUIDE

Factory at your fingertips. Fill in the blanks to create your part number or create a custom configuration.

Sample Part Number: SES25P-FR-24L-J-22W2200L-DMV-35K-WH

SENSOR	SERIES	DIFFUSER	LENGTH	GEAR	WATTAGE & LUMENS*2	DRIVER	
SS³ Occupancy Sensor (ON WHEN OCCUPIED, OFF WHEN NOT) SD¹ Daylight Harvesting Sensor SV¹ Bi Level(xx) Sensor Blank Metal Plate Cover	SES25P LED Linear Pendant/Surface Mounted SES25R LED Linear Recessed Mounted for T-bar Ceiling SES25RF LED Linear Recessed Mounted with Flanged Appearance for Dry Wall Ceiling	FR Frosted	24L 3"W x 24"L	J	13W1300L 13 Watts, 1,300 Lumens 19W1900L 19 Watts, 1,900 Lumens 22W2200L 22 Watts, 2,200 Lumens	DMV 120-277 VAC 0-10V Dimming DMV(xx) 120-277 VAC 0-10V Dimming to XX% when unoccupied	
					31W3100L 31 Watts, 3,100 Lumens 38W3800L 38 Watts, 3,800 Lumens 45W4500L 45 Watts, 4,500 Lumens		STMV³ 120-277 VAC 0-10V Step Dimming 50%-100% MV² 120-277 VAC Multivolt
					96L 3"W x 96"L 62W6200L 62 Watts, 6,200 Lumens 76W7600L 76 Watts, 7,600 Lumens 90W9000L 90 Watts, 9,000 Lumens RGBW54W RGB color changing abilities and White ²		

CCT	FINISH	OPTIONS
30K 3000K 35K 3500K 40K 4000K 50K 5000K	WH White (standard) Premium Options: BK Black BN Brushed Nickel	HC301WH Cable kit with 4' cable & 3 wires power feed/cable incl. and white canopy HC302WH Cable kit with 12' cable & 3 wires power feed/cable incl. and white canopy HC3015WWH Cable kit with 4' cable & 5 wires power feed/cable incl. and white canopy HC3025WWH Cable kit with 12' cable & 5 wires power feed/cable incl. and white canopy 2SCS24WH Two stem kits with 24" stem, canopy and mounting hardware for a 4' fixture

Note:

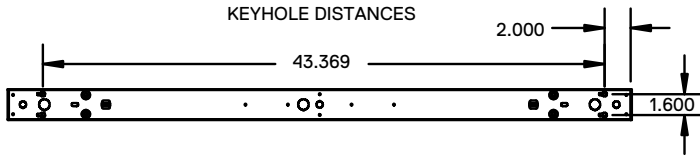
1. Sensor options not available in 2' fixtures.
2. RGBW lighting option only available with multivolt driver.
3. Step dimming recommended when using SS occupancy sensor.

*Programmable LED drivers allow custom configured wattages and corresponding lumens.

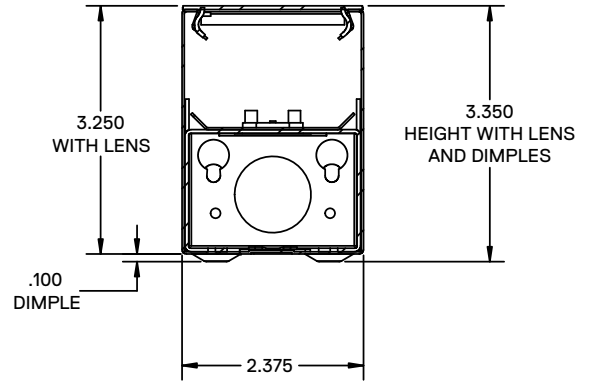
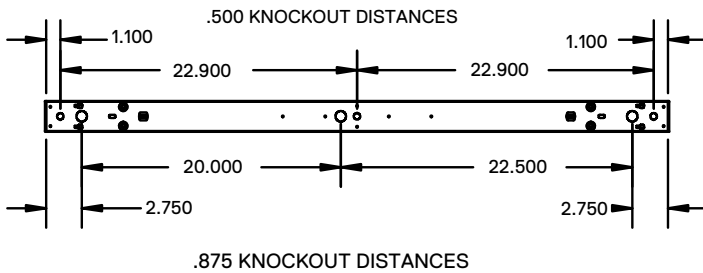
We reserve the right to change design, materials, LED's and finish in any way that will not alter installed appearance or reduce function and performance.

PRODUCT DIMENSIONS

4 ft

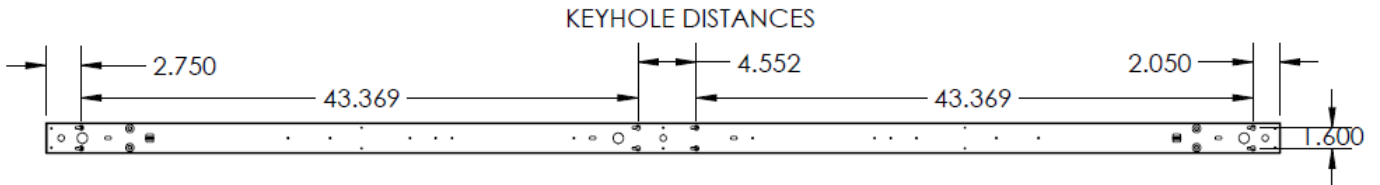


BOTTOM VIEW



END VIEW

8 ft



BOTTOM VIEW

