

SGB LED Linear High Bay 5 year limited warranty

WATTAGE: 90W, 130W, 180W, 210W, 270W
300W, 370W

COLOR TEMPERATURE: 4000, 5000K

COLOR RENDERING INDEX CRI: Min 80

Suitable for commercial, retail and institutional applications including gymnasiums, factories and warehouses.

PRODUCT FEATURES

- Bright and comfortable light comes from a simple linear design
- Best choice for replacing fluorescent lamps with high efficacy LED
- Voltage is 120-277V & 347-480V
- Motion sensor optional and supports Emergency Battery
- Standard 1-10V dimming
- Mounts with aircraft cable (included). Pendant or surface mounting is available.
- L70 ≥ 50,000 hours
- Operating temperature is -40°C to 55°C (-40°F to 131°F)

WARRANTY

5 Year Limited warranty

ORDERING GUIDE: SSSGB48L180W245000LDMV50KEM

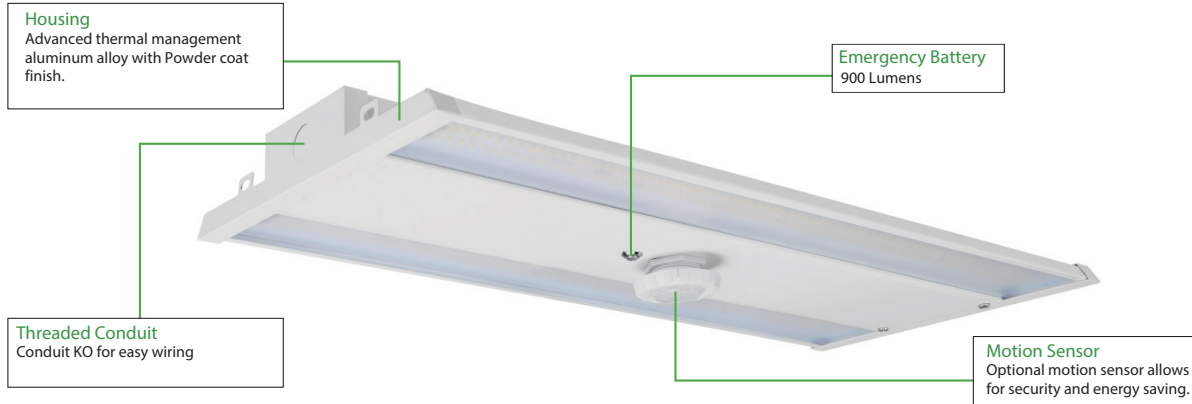


Integral Occupancy Sensor	SERIES	Nominal Fixture Length, Wattage & Lumens	Driver	Color Temp	Options
SS w/sensor	SGB	24L90W12600L	DMV 120-288VAC 1-10V Dimmable	40K 4000K 50K 5000K	EM Emergency Backup 900 lumens*
Blank wo/sensor		24L130W18500L			
		24L180W25200L	DHV 347-480VAC 1-10V Dimmable		
		24L210W29000L			
		48L130W18500L			
		48L180W24500L			
		48L270W37000L			
		48L300W41500L			
	48L370W50500L				

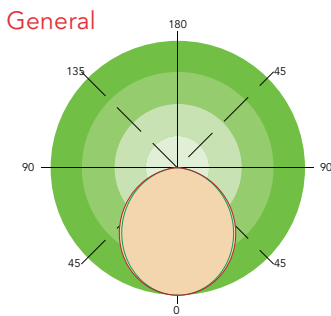
*EM is not available on 347V/480V models



PRODUCT DESCRIPTION

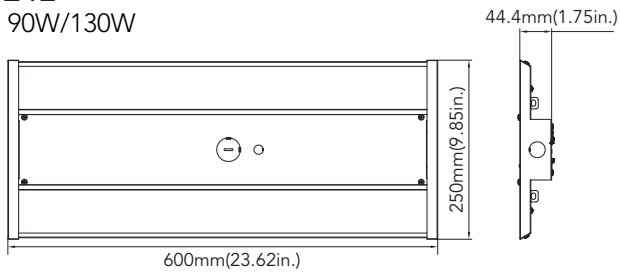


PHOTOMETRICS



DRAWINGS & PHOTOS

24L 90W/130W



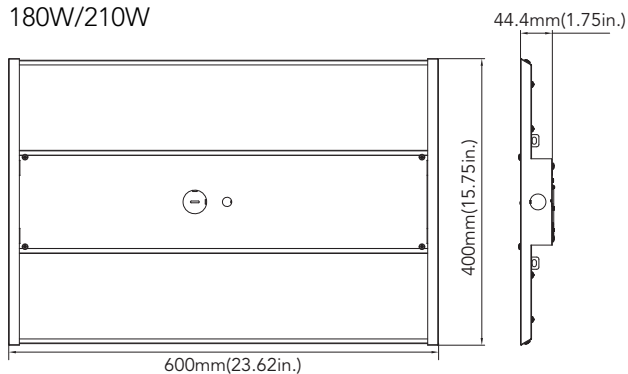
Weight
90W: 5.842 lbs
130W: 7.319 lbs

48L 130W/180W



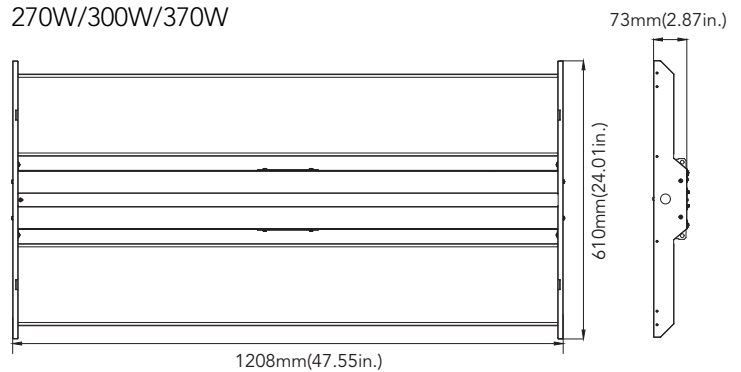
Weight
L130W: 13.91 lbs
L180W: 14.76 lbs

24L 180W/210W



Weight
180W: 9.193 lbs
210W: 9.259 lbs

48L 270W/300W/370W



Weight
270W: 22.46 lbs
300W: 22.49 lbs



PERFORMANCE DATA

SYSTEM WATTS		VOLTAGE	4000K(CRI80)		5000K(CRI80)	
			LUMENS	LPW	LUMENS	LPW
24L	90W	120-277VAC/347-480V	12600lm	140lm/W	12600lm	140lm/W
	130W	120-277VAC/347-480V	18500lm	142lm/W	18500lm	142lm/W
	180W	120-277VAC/347-480V	25200lm	140lm/W	25200lm	140lm/W
	210W	120-277VAC/347-480V	29000lm	138lm/W	29000lm	138lm/W
48L	130W	120-277VAC/347-480V	18500lm	142lm/W	18500lm	142lm/W
	180W	120-277VAC/347-480V	24000lm	133lm/W	24000lm	133lm/W
	270W	120-277VAC/347-480V	37000lm	137lm/W	37000lm	137lm/W
	300W	120-277VAC/347-480V	41500lm	138lm/W	41500lm	138lm/W
	370W	120-277VAC/347-480V	50500lm	136lm/W	50500lm	136lm/W

ELECTRICAL DATA

Number Of Drivers	Driver Current (mA)	Nominal Power (W)	INPUT VOLTAGE (V)	CURRENT (Amps)	
1	2400	90	120	0.75	
		90	208	0.43	
		90	240	0.38	
		90	277	0.32	
		90	347	0.26	
		90	480	0.19	
2	3300	130	120	1.08	
		130	208	0.63	
		130	240	0.54	
		130	277	0.47	
	3200	130	347	0.37	
		130	480	0.27	
2	4800	180	120	1.50	
		180	208	0.87	
		180	240	0.75	
		180	277	0.65	
		180	347	0.52	
		180	480	0.38	
2	5200	210	120	1.75	
		210	208	1.01	
		210	240	0.88	
		210	277	0.76	
		210	347	0.61	
		210	480	0.44	
2	3000	130	120	1.08	
		130	208	0.63	
		130	240	0.54	
		130	277	0.47	
	3200	130	347	0.37	
		130	480	0.27	
2	4800	180	120	1.50	
		180	208	0.87	
		180	240	0.75	
		180	277	0.65	
		180	347	0.52	
		180	480	0.38	
4	6520	270	120	2.25	
		270	208	1.30	
		270	240	1.13	
		270	277	0.97	
	6400	270	347	0.78	
		270	480	0.56	
		7200	300	120	2.50
			300	208	1.44
300	240		1.25		
300	277		1.08		
7400	300	347	0.86		
	300	480	0.63		
	9600	370	120	3.08	
		370	208	1.78	
370		240	1.54		
370		277	1.34		
370		347	1.07		
370		480	0.77		