



JOB NAME:

CAT#:

TYPE:

ILLUMINATION

- Adjustable, glare-free PAR-Type lamps heads with 7.2 watts incandescent wedge base lamps
- Sealed and gasketed weather proof lamp heads with high performance chrome-plated metalized reflector and tempered glass lenses

ELECTRICAL

- Dual 120/277 voltage
- Charge rate/power "ON" LED indicator light and push-to-test switch for mandated code compliance testing.
- LVD (low voltage disconnect) prevents battery from deep discharge.
- 6V maintenance-free, rechargeable sealed lead acid battery
- Internal solid-state transfer switch automatically connects the internal battery to the lamp heads for minimum 90-minute emergency illumination.
- Fully automatic solid-state, two rate charger initiates battery charging to recharge a discharged battery in 24 hours.



MOUNTING

- External mounting brackets for simplified surface mounting provided

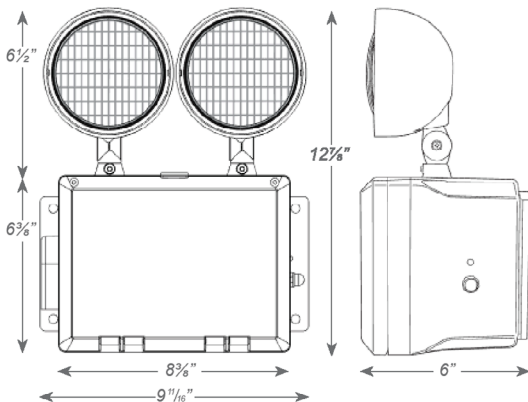
HOUSING

- Corrosion-resistant 5VA flame retardant, UV-stabilized polycarbonate in gray finish
- Sealed and gasketed housing with hinged cover
- Sealed test switch
- Integral breather vent

WARRANTY/LISTING

- Five year warranty on all electronics and housing. Batteries are prorated warranted for two years
- Meets UL924, NFPA 101 Life Safety Code, NEC, OSHA, Local and State Codes
- UL listed for dry locations (5°C-40°C)

DIMENSIONS



Dimensions and specifications subject to change without notice.





JOB NAME:

CAT#:

TYPE:

ORDERING

EXAMPLE: TFX-2

TFX-2

1. MODEL	2. CAPACTIY (O) ¹	3. HEATER (O) ¹
TFX-2	RC Remote Capacity	HTR Internal Heater ²

Notes:

¹(O) is optional

Dimensions and specifications subject to change without notice.

