



CATALOG#: _____
 PROJECT: _____
 TYPE: _____

Series R16

MR-16 Emergency Unit

ILLUMINATION

- Two fully adjustable, 5W, MR-16 halogen lamp heads standard
- Optional 3.3W white LED lamp heads

ELECTRICAL

- Dual 120-277 voltage
- Charge rate/power "ON" LED indicator light and push-to-test switch for mandated code compliance testing
- LVD (low voltage disconnect) prevents battery from deep discharge
- 6V long life, maintenance-free, rechargeable NiCd battery
- Internal solid-state transfer switch automatically connects the internal battery to LED board and LED lamp heads for minimum 90-minute emergency illumination
- Fully automatic solid-state, two rate charger initiates battery charging to recharge a discharged battery in 24 hours

MOUNTING

- Surface mount via easy connect back plate, which fits most standard junction boxes and snaps into place making internal electrical connections
- Top and side knockout for conduit applications
- Suitable for wall mount

HOUSING

- Injection-molded, engineering grade, 5VA flame retardant, high-impact resistant, thermoplastic in white or black finish

WARRANTY

- Meets UL924, NFPA 101 Life Safety Code, NEC, OSHA, Local and State Codes.
- 5 year warranty on all electronics and housing. Battery pro-rated for five years.



DIMENSIONS

14 3/4"L x 7 1/2"H

OPTIONS

- SDT: Self-diagnostic feature performs monthly, biannual, and annual tests to ensure reliable operation and meet electrical and life safety codes
- HTR: Optional internal heater for cold temperature applications
- USA: Substantial transformation assembly in the U.S. complies with "Assembled in the USA" under the Buy American Act
- LED: 3.3W high performance MR-16 base LED lamps
- UL Listed for damp locations (20°C-40°C)

STANDARD

OPTIONAL

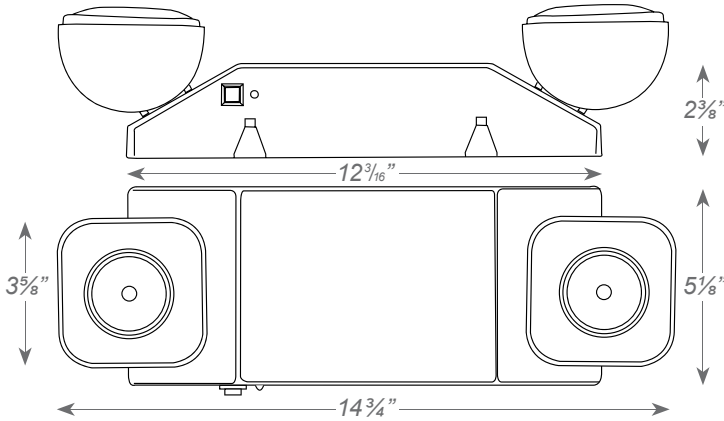


ORDER INFORMATION

Factory at your fingertips. Fill in the blanks to create your part number or create a custom configuration.

SERIES	HOUSING COLOR	OPTIONS
R-16	Blank White	SDT Self-Diagnostics
	B Black	HTR Internal Heater
		LED 3.3W High Lumen White LED lamp

DRAWINGS



ELECTRICAL INFORMATION

Catalog Number	Input Watts (W)		Input Amps (A)	
	120V	277V	120V	277
R-16	3.5	4.9	0.031	0.019
R-16-SDT	4.5	4.5	0.040	0.030

Note:
 We reserve the right to change design, materials, LEDs and finish in any way that will not alter installed appearance or reduce function and performance.