

Series EZRXTEU

Compact LED Exit Sign



ILLUMINATION

- Ultra bright, energy efficient, long life Red or Green LED

ELECTRICAL

- Dual 120-277 voltage
- Charge rate/power "ON" LED indicator light and push-to-test switch for mandated code compliance testing
- 1.2V long life, maintenance-free, rechargeable NiCd battery
- Internal solid-state transfer switch automatically connects the internal battery to LED board and LED lamp heads for minimum 90-minute emergency illumination
- Fully automatic solid-state, two rate charger initiates battery charging to recharge a discharged battery in 24 hours.
- Remote capable standard

MOUNTING

- EZ-snap mounting canopy included for top or end mount
- Universal K/O pattern on back plate for wall mount

HOUSING

- Injection-molded, engineering grade, 5VA flame retardant, high-impact resistant, thermoplastic in white or black finish
- Aesthetically pleasing, curved face, rounded corner design

WARRANTY

- Five year warranty on all electronics and housing. Battery pro-rated for five years
- Meets UL924, NFPA 101 Life Safety Code, NEC, OSHA, Local and State Codes
- UL Listed for damp locations. (0°C-50°C)

DIMENSIONS

13 3/4"L x 5 7/8"W x 11 7/8"H

FEATURES & BENEFITS

- Single or Dual face, bright EXIT sign with chevrons to indicate quickest path of egress
- LED illumination of either Red or Green lettering
- Standard white or black thermoplastic and flame retardant housing
- Easy wall or surface mounting
- Long life battery with easy 'push-to-test' switch for quick compliance testing
- Battery backup option also available
- 5 year warranty

STANDARD

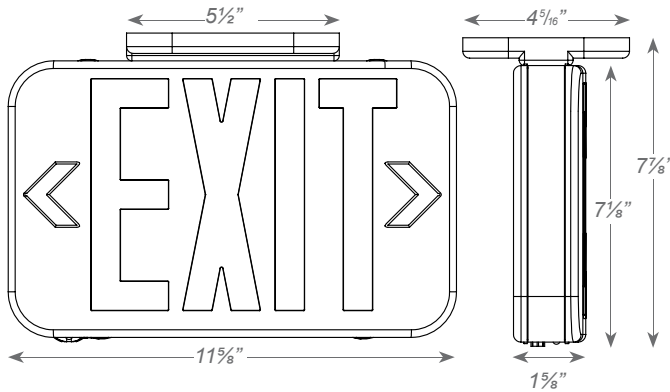


ORDER INFORMATION

Factory at your fingertips. Fill in the blanks to create your part number or create a custom configuration.

SERIES	NO. OF FACES	LETTER COLOR	PANEL	HOUSING COLOR	BATTERY
EZRXTEU	1	Single Face	R Red	C Clear W White	Blank AC only
	2	Universal Single/Double Face	G Green	M Mirror W White	EM Battery Backup

DRAWINGS & IMAGES



ELECTRICAL INFORMATION

Catalog Number	INPUT WATTS (W)		INPUT AMPS (A)	
	120V	277V	120V	277V
EZRXTEU-RED/GREEN/EM	0.8	0.8	0.09	0.09

Note:
 We reserve the right to change design, materials, LEDs and finish in any way that will not alter installed appearance or reduce function and performance.