

Series RMR16

Semi-Recessed MR-16 Emergency Unit



ILLUMINATION

- Two fully adjustable ultra-bright, round, 7W, MR-16 halogen lamp heads standard
- Optional 3.3W white LED lamp heads

ELECTRICAL

- Dual 120-277 voltage
- Charge rate/power "ON" LED indicator light and push-to-test switch for mandated code compliance testing
- LVD (low voltage disconnect) prevents battery from deep discharge
- 6V maintenance-free, rechargeable sealed lead acid battery
- Internal solid-state transfer switch automatically connects the internal battery to LED board and LED lamp heads for minimum 90-minute emergency illumination
- Fully automatic solid-state, two rate charger initiates battery charging to recharge a discharged battery in 24 hours.
- Remote capable standard

MOUNTING

- Surface mount via easy connect back plate, which fits most standard junction boxes and snaps into place making internal electrical connections
- Top and side knockout for conduit applications
- Suitable for wall mount

HOUSING

- Injection-molded, engineering grade, 5VA flame retardant high-impact resistant, thermoplastic in white or black finishes

WARRANTY

- Five year warranty on all electronics and housing. Battery prorated for two years
- UL Listed for damp locations (20°C - 40°C)
- Meets UL924, NFPA 101 Life Safety Code, NEC, OSHA, Local and State Codes

DIMENSIONS

13 3/4"L x 3"W x 5 1/8"H

FEATURES & BENEFITS

- USA: Substantial transformation assembly in the U.S. complies with "Assembled in the USA" under the Buy American Act
- LED 3.3W high performance MR-16 base LED lamps

STANDARD



OPTIONAL



CATALOG#: _____
 PROJECT: _____
 TYPE: _____

Series RMR16

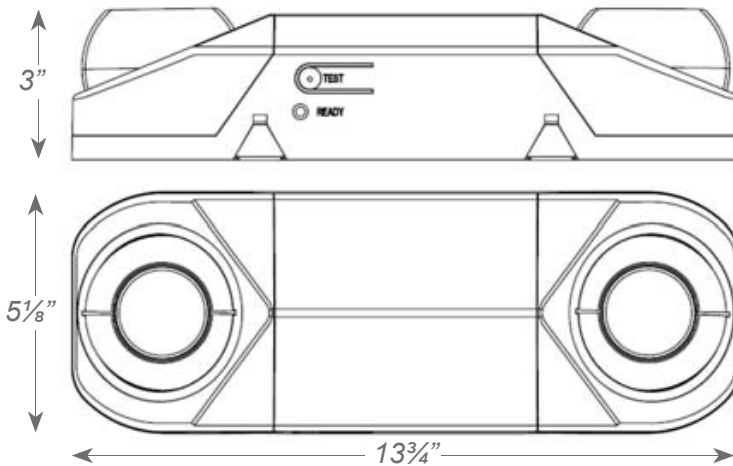
Semi-Recessed MR-16
 Emergency Unit

ORDER INFORMATION

Factory at your fingertips. Fill in the blanks to create your part number or create a custom configuration.

| SERIES | HOUSING COLOR | | OPTIONS | |
|--------|---------------|-------|---------|--------------------------------|
| RMR-16 | Blank | White | LED | 3.3W High Lumen White LED lamp |
| | B | Black | | |

DRAWINGS & IMAGES



ELECTRICAL INFORMATION

| CATALOG NUMBER | INPUT WATTS (W) | | INPUT AMPS (A) | |
|----------------|-----------------|------|----------------|-------|
| | 120V | 277V | 120V | 277V |
| RMR-16 | 4.2 | 5.2 | 0.039 | 0.021 |

Note:
 We reserve the right to change design, materials, LEDs and finish in any way that will not alter installed appearance or reduce function and performance.