



**JOB NAME:**

**CAT#:**

**TYPE:**

### ILLUMINATION

- Long lasting, efficient, ultra bright white LED lamp heads
- 1.0 watt (8 LEDs x 0.125 watt) per head
- High performance chrome-plated metalized reflector and plastic lens for optimal light distribution
- Adjustable LED lamp heads to provide optimal center-to-center spacing
- Optional high lumen heads are 1.5 watts (12 LEDs x 0.125 watts per head) and provide increased center-to-center spacing



### ELECTRICAL

- Powered from low voltage power source with low voltage wiring (not provided)

### MOUNTING

- Universal mounting adapter plate included. Mounts to single-gang switch box
- Distance of maximum run is determined by system voltage, wire gauge and total maximum wattage on the run
- Suitable for wall or ceiling mount

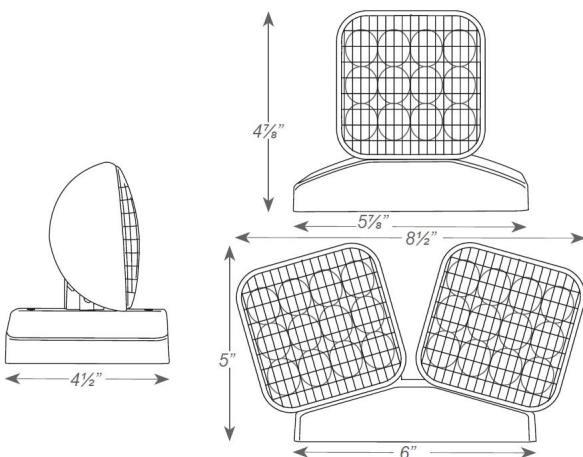
### HOUSING

- Injection-molded, engineering grade, 5VA flame retardant, high-impact resistant, thermoplastic in white or black finish

### WARRANTY/LISTING

- Five year warranty
- Meets UL924, NFPA 101 Life Safety Code, NEC, OSHA, Local and State Codes
- UL listed with approved Mobern Lighting products

### DIMENSIONS



Dimensions and specifications subject to change without notice.





JOB NAME:

CAT#:

TYPE:

**ORDERING**

EXAMPLE: RHLED 2 MV

**RHLED**

1. MODEL	2. # OF HEADS	3. DIAGNOSTICS	4. VOLTAGE	5. COLOR	6. LAMP TYPE <sup>1</sup>
<b>RHLED</b>	<b>1</b> Single Head <b>2</b> Double Head	<b>(blank)</b> For Standard Non-Self-Diagnostic Fixtures <b>SDT</b> For Use With Fixtures With A Self-Diagnostic Option	<b>MV</b> For Use With 3.6V, 6V, 9.6V & 12V DC Power Source	<b>(blank)</b> Gray <b>B</b> Black	<b>(blank)</b> 8 LEDs 1W <b>HL</b> 12 LEDs 1.5W

**Notes:**

<sup>1</sup>Wattage rating stated per head

Dimensions and specifications subject to change without notice.

