



JOB NAME:

CAT#:

TYPE:

ILLUMINATION

- Long lasting, efficient, ultra bright white LED lamp heads
- 1.0 watt (8 LEDs x 0.125 watt) per head
- High performance chrome-plated metalized reflector and plastic lens for optimal light distribution
- Adjustable LED lamp heads to provide optimal center-to-center spacing
- Optional high lumen heads are 1.5 watts (12 LEDs x 0.125 watts per head) and provide increased center-to-center spacing



ELECTRICAL

- Powered from low voltage power source with low voltage wiring (not provided)

MOUNTING

- Universal mounting adapter plate included. Mounts to single-gang switch box
- Distance of maximum run is determined by system voltage, wire gauge and total maximum wattage on the run
- Suitable for wall or ceiling mount

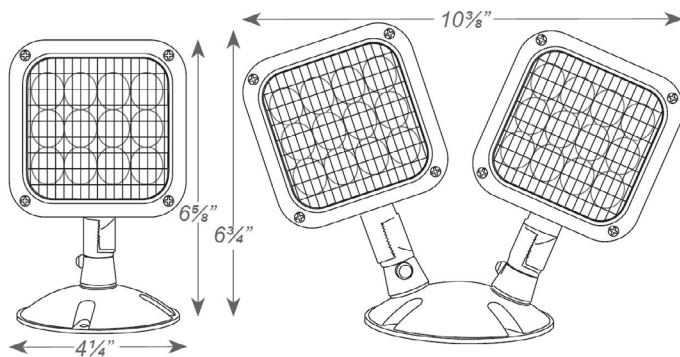
HOUSING

- Available in both engineering grade, high impact resistant polycarbonate or premium grade die-cast aluminum housing
- Sealed and gasketed in standard gray or black finish

WARRANTY/LISTING

- Five year warranty
- Meets UL924, NFPA 101 Life Safety Code, NEC, OSHA, Local and State Codes
- UL listed with approved Mobern Lighting products

DIMENSIONS



Dimensions and specifications subject to change without notice.





JOB NAME:

CAT#:

TYPE:

ORDERING

EXAMPLE: RHLED 2 PWP MV

RHLED

1. MODEL	2. # OF HEADS	3. DIAGNOSTICS	4. HOUSING	5. VOLTAGE	6. COLOR
RHLED	1 Single Head 2 Double Head	(blank) For Standard Non-Self-Diagnostic Fixtures SDT For Use With Fixtures With A Self-Diagnostic Option	PWP Polycarbonate WP Die-Cast	MV For Use With 3.6V, 6V, 9.6V & 12V DC Power Source	(blank) Gray B Black
7. LAMP TYPE¹					
(blank) 8 LEDs 1W					
HL 12 LEDs 1.5W					

Notes:

¹Wattage rating stated per head

Dimensions and specifications subject to change without notice.

