



JOB NAME:

CAT#:

TYPE:

ILLUMINATION

- Two fully adjustable 5.0 watt MR-16 halogen lamp heads standard
- High performance MR-16 halogen lamps with smooth metallized reflector and glass lens for optimal light distribution

ELECTRICAL

- Dual 120-277 voltage
- Charge rate/power "ON" LED indicator light and push-to-test switch for mandated code compliance testing.
- LVD (low voltage disconnect) prevents battery from deep discharge
- 6V, maintenance-free, rechargeable sealed lead acid battery
- Internal solid-state transfer switch automatically connects the internal battery to the lamp heads for minimum 90-minute emergency illumination.
- Fully automatic solid-state, two rate charger initiates battery charging to recharge a discharged battery in 24 hours.



MOUNTING

- Universal knockout pattern on back plate for wall mount. Snaps into place making internal electrical connections
- Knockout for conduit applications

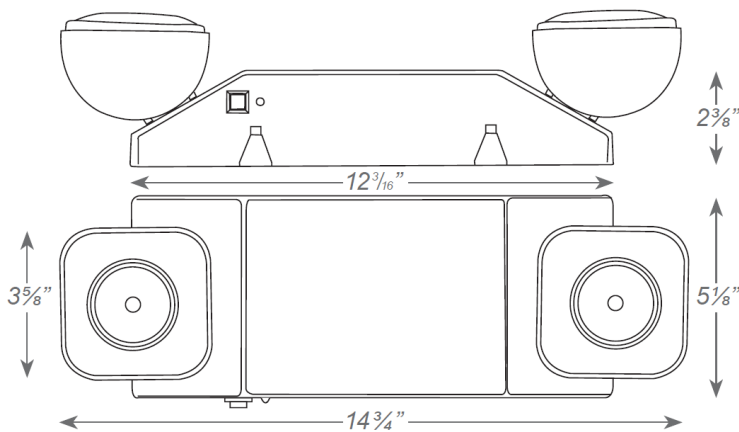
HOUSING

- Injection-molded, engineering grade, 5VA flame retardant, high-impact resistant, thermoplastic in white or black finish

WARRANTY/LISTING

- Five year warranty on all electronics and housing. Battery prorated for 2 years
- Meets UL924, NFPA 101 Life Safety Code, NEC, OSHA, Local and State Codes
- UL listed for damp locations (20°C-40°C)

DIMENSIONS



Dimensions and specifications subject to change without notice.





JOB NAME:

CAT#:

TYPE:

ORDERING

EXAMPLE: R-16

R-16

1. MODEL	2. HOUSING COLOR	3. DIAGNOSTICS (O) ¹	4. HEATER (O) ¹	5. LAMPING (O) ¹
R-16	(blank) White B Black	SDT Self-Diagnostics	HTR Internal Heater	LED 3.3W high lumen white LED lamps ² PLED 5.0W high lumen white LED lamps ²

Notes:

¹(O) is optional

²Not available with SDT option

Dimensions and specifications subject to change without notice.

