



JOB NAME:

CAT#:

TYPE:

ILLUMINATION

- Two fully adjustable 5.4 watt glare-free lamp heads
- Smooth thermoplastic reflector and plastic lens

ELECTRICAL

- Dual 120-277 voltage
- Charge rate/power "ON" LED indicator light and push-to-test switch for mandated code compliance testing.
- LVD (low voltage disconnect) prevents battery from deep discharge
- 6V, maintenance-free, rechargeable sealed lead acid battery
- Internal solid-state transfer switch automatically connects the internal battery to the lamp heads for minimum 90-minute emergency illumination.
- Fully automatic solid-state, two rate charger initiates battery charging to recharge a discharged battery in 24 hours.



MOUNTING

- Universal knockout pattern on back plate for surface mount snaps into place making internal electrical connections
- Knockout for conduit applications

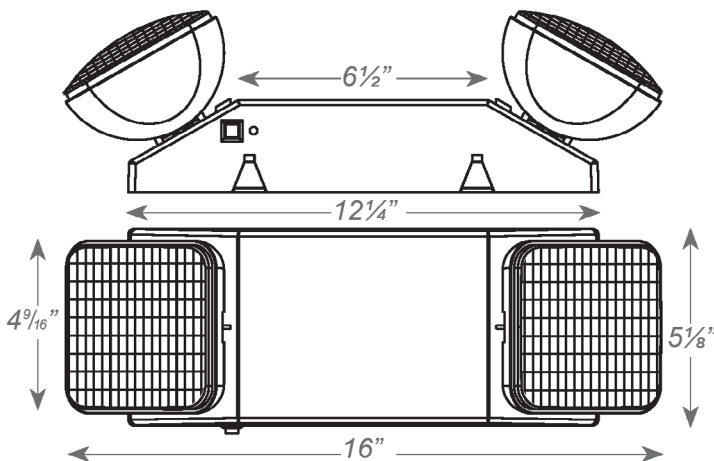
HOUSING

- Injection-molded, engineering grade, 5VA flame retardant, high-impact resistant, thermoplastic in white or black finish

WARRANTY/LISTING

- Five year warranty on all electronics and housing. Battery prorated for 2 years
- Meets UL924, NFPA 101 Life Safety Code, NEC, OSHA, Local and State Codes
- Meets CSA C22.2 No. 141-02 Requirements for unit equipment
- UL listed for damp locations (0°C-50°C)

DIMENSIONS



Dimensions and specifications subject to change without notice.





JOB NAME:

CAT#:

TYPE:

ORDERING

EXAMPLE: R-1

R-1

1. MODEL	2. HOUSING COLOR	3. DIAGNOSTICS (O) ¹	4. HEATER (O) ¹
R-1	(blank) White B Black	SDT Self-Diagnostics	HTR Internal Heater

Notes:

¹(O) is optional

Dimensions and specifications subject to change without notice.

