



JOB NAME:

CAT#:

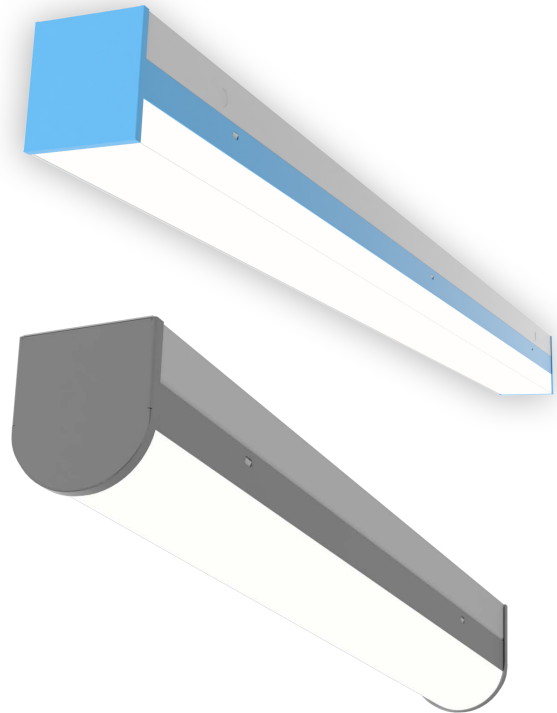
TYPE:

### APPLICATIONS

Full body micro-silhouette makes a bold statement with a minimal design in a variety of standard powder coated finish options, as well as custom colors. Scaled to the LED module, the drop frosted diffuser surrounds the LEDs for soft lighting. LS/RS fixture can be surface mounted on wall or ceiling or pendant mounted with specially engineering cable mounting kit. LS/RS fixtures can be used individually or in a continuous run, either surface, wall, or pendant mounted. Ideal for retail applications.

### FEATURES & BENEFITS

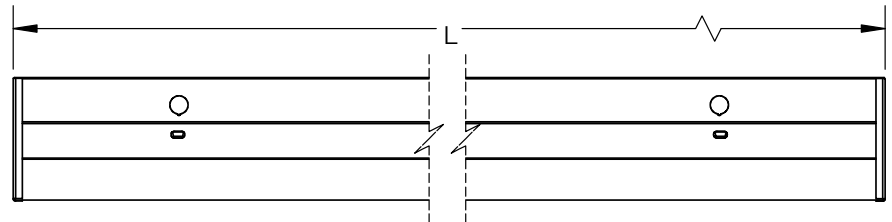
- Available in custom finishes (consult factory)
- Fixtures can be surface mounted to the wall or ceiling or pendant hung by engineered hanging kit
- cETL<sub>us</sub> listed for damp locations up to 90 watts
- L70 > 50000 hrs.
- Min CRI 80
- PL3D comes standard (fixture to fixture wiring options for power and dimming)
- 5 year warranty



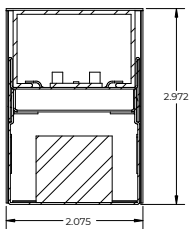
### DIMENSIONS

Part	L	X	Y
LS2/LS3 OR RS2/RS3 P24	24"	2.75"	3.27"
LS2/LS3 OR RS2/RS3 P36	36"	2.75"	3.27"
LS2/LS3 OR RS2/RS3 P48	48"	2.75"	3.27"
LS2/LS3 OR RS2/RS3 P96	96"	2.75"	3.27"

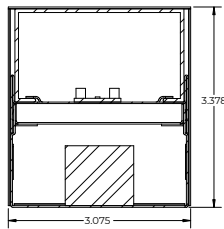
L = Length  
X = Knock Out Distance  
Y = Hanging Kit Distance



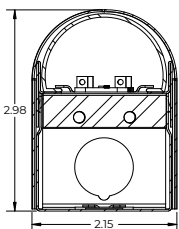
LS2 Side View



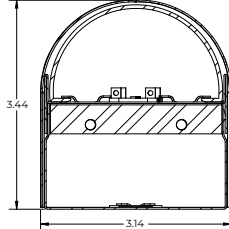
LS3 Side View



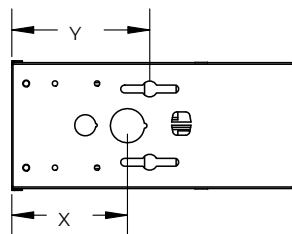
RS2 Side View



RS3 Side View



Pendant/Surface Mount



Dimensions and specifications subject to change without notice.





JOB NAME:

CAT#:

TYPE:

**ORDERING**

EXAMPLE: LS2 FR 24 Q14W1700L DMV 30K WH BK GT310

1. SENSOR <sup>1</sup>		2. SERIES	3. LENS		4. LENGTH		5. WATTAGE/LUMENS <sup>2</sup>		6. DRIVER			
<b>Blank</b>	None	<b>LS2</b>	<b>FR</b>	Frosted Acrylic Lens (85% transmission)	<b>24</b>	24"	<b>24 in.</b>		<b>DMV</b>	120-277V Multivolt		
<b>SS</b>	Integral Occupancy Sensor				<b>36</b>	36"	<b>Q14W1700L</b>				14 Watts 1700 Lumens	
<b>SSD</b>	Daylight Harvesting Occupancy				<b>48</b>	48"	<b>Q22W2600L</b>				22 Watts 2600 Lumens	
		<b>RS2</b>			<b>96</b>	96"	<b>36 in.</b>		<b>SDMV</b>	Step dimming Multivolt		
					<b>Q21W2550L</b>	21 Watts 2550 Lumens						
					<b>Q33W3900L</b>	33 Watts 3900 Lumens		<b>48 in.</b>				
					<b>Q28W3400L</b>	28 Watts 3400 Lumens		<b>72 in.</b>				
					<b>Q44W5200L</b>	44 Watts 5200 Lumens		<b>96 in.</b>				
					<b>Q42W5100L</b>	42 Watts 5100 Lumens						
					<b>Q66W7800L</b>	66 Watts 7800 Lumens						
					<b>Q56W6800L</b>	56 Watts 6800 Lumens						
					<b>Q88W10400L</b>	88 Watts 10400 Lumens						

7. COLOR TEMP <sup>3</sup>		8. FINISH <sup>4</sup>		9. CONFIGURATION		10. FLAIR <sup>5</sup>		11. EM		12. OPTIONS/ACCESSORIES	
<b>30K</b>	3000K	<b>BK</b>	Black	<b>Blank</b>	Individual	<b>BK</b>	Black	<b>EM14</b>	14W	<b>GT310</b>	GT310 cable kit with (2) 10' cables
<b>35K</b>	3500K	<b>SI</b>	Silver	<b>-B</b>	Beginner Run	<b>SI</b>	Silver		Emergency	<b>GT315</b>	GT315 cable kit with (2) 15' cables
<b>40K</b>	4000K	<b>WH</b>	White	<b>-E</b>	Ender Run	<b>WH</b>	White		Battery	<b>HC3015WWH</b>	4ft White Canopy Kit with 5 Wire Cord
<b>50K</b>	5000K			<b>-J</b>	Joiner Run				Backup <sup>5</sup>	<b>HC3016WWH</b>	4ft White Canopy Kit with 6 Wire Cord
										<b>HC3025WWH</b>	12ft White Canopy Kit with 5 Wire Cord
										<b>HC3026WWH</b>	12ft White Canopy Kit with 6 Wire Cord
										<b>C15WH</b>	15' 3 wires 18-gauge power cord
										<b>C515WH</b>	15' 5 wires 18-gauge power cord

**Notes:**

- <sup>1</sup>Sensors are not integrated and add approx. 3 inches to overall fixture length. Adding a sensor to an existing fixture requires rewiring.
- <sup>2</sup>Minimum fixture wattage of 10W. Minimum 5W per fixture foot, maximum 20.5W per fixture foot. Programmable LED drivers allow custom configured wattages and corresponding lumens. Power feed cable is 18 AWG, a power drop will be required every 48 feet of fixture length OR every 800W, whichever comes first.
- <sup>3</sup> Consult factory for 90CRI and 5000K availability.
- <sup>4</sup> Finish refers to the color of the driver cover portion of the fixture body.
- <sup>5</sup>Flair refers to the end caps and middle stripe of the fixture body. Choose a standard flair color for your fixture from the guide on the following page.

Dimensions and specifications subject to change without notice.



JOB NAME:

CAT#:

TYPE:

**ORDERING**

EXAMPLE: LS3 FR 24 Q20W2500L DMV 30K BK -B BK EM14 GT310

1. SENSOR <sup>1</sup>	2. SERIES	3. LENS	4. LENGTH	5. WATTAGE/LUMENS <sup>2</sup>	6. DRIVER
<b>Blank</b> None	<b>LS3</b>	<b>FR</b> Frosted Acrylic Lens (85% transmission)	<b>24</b> 24" <b>36</b> 36" <b>48</b> 48" <b>96</b> 96"	<b>24 in.</b> <b>Q20W2500L</b> 20 Watts 2500 Lumens <b>B41W5000L</b> 41 Watts 5000 Lumens <b>36 in.</b> <b>Q28W3000L</b> 28 Watts 3000 Lumens <b>Q45W4000L</b> 45 Watts 4000 Lumens <b>48 in.</b> <b>Q41W5000L</b> 41 Watts 5000 Lumens <b>B82W10000L</b> 82 Watts 10000 Lumens <b>72 in.</b> <b>Q56W6000L</b> 56 Watts 6000 Lumens <b>B123W15000L</b> 123 Watts 15000 Lumens <b>96 in.</b> <b>Q82W10000L</b> 82 Watts 10000 Lumens <b>B164W20000L</b> 164 Watts 20000 Lumens	<b>DMV</b> 120-277V Multivolt <b>SDMV</b> Step dimming Multivolt

7. COLOR TEMP <sup>3</sup>	8. FINISH <sup>4</sup>	9. CONFIGURATION	10. FLAIR <sup>5</sup>	11. EM	12. OPTIONS/ACCESSORIES
<b>30K</b> 3000K <b>35K</b> 3500K <b>40K</b> 4000K <b>50K</b> 5000K	<b>BK</b> Black <b>SI</b> Silver <b>WH</b> White	<b>Blank</b> Individual <b>-B</b> Beginner Run <b>-E</b> Ender Run <b>-J</b> Joiner Run	<b>BK</b> Black <b>SI</b> Silver <b>WH</b> White	<b>EM14</b> 14W Emergency Battery Backup <sup>5</sup>	<b>GT310</b> GT310 cable kit with (2) 10' cables <b>GT315</b> GT315 cable kit with (2) 15' cables <b>HC4015WWH</b> 4ft White Canopy Kit with 5 Wire Cord <b>HC4016WWH</b> 4ft White Canopy Kit with 6 Wire Cord <b>HC4025WWH</b> 12ft White Canopy Kit with 5 Wire Cord <b>HC4026WWH</b> 12ft White Canopy Kit with 6 Wire Cord <b>C15WH</b> 15' 3 wires 18-gauge power cord <b>C515WH</b> 15' 5 wires 18-gauge power cord

**Notes:**

- <sup>1</sup>Sensors are not integrated and add approx. 3 inches to overall fixture length. Adding a sensor to an existing fixture requires rewiring.
- <sup>2</sup>Minimum fixture wattage of 10W. Minimum 5W per fixture foot, maximum 20.5W per fixture foot. Programmable LED drivers allow custom configured wattages and corresponding lumens. Power feed cable is 18 AWG, a power drop will be required every 48 feet of fixture length OR every 800W, whichever comes first.
- <sup>3</sup> Consult factory for 90CRI and 5000K availability.
- <sup>4</sup> Finish refers to the color of the driver cover portion of the fixture body.
- <sup>5</sup>Flair refers to the end caps and middle stripe of the fixture body. Choose a standard flair color for your fixture from the guide on the following page.

Dimensions and specifications subject to change without notice.



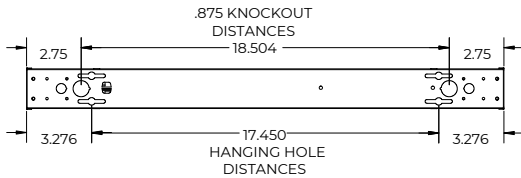
JOB NAME:

CAT#:

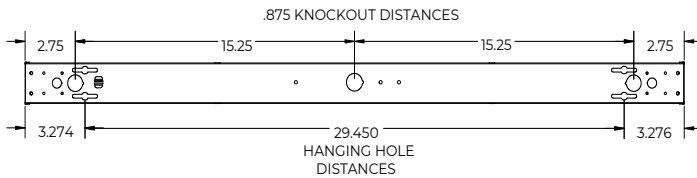
TYPE:

**DIMENSIONS**

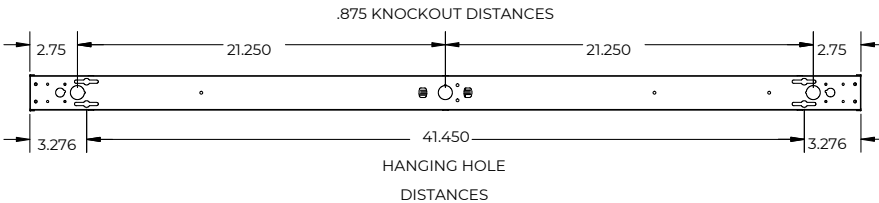
**LS2/RS2P24**



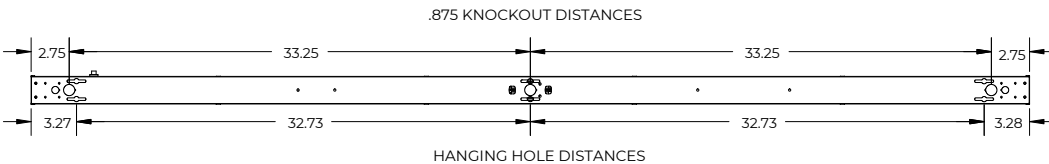
**LS2/RS2P36**



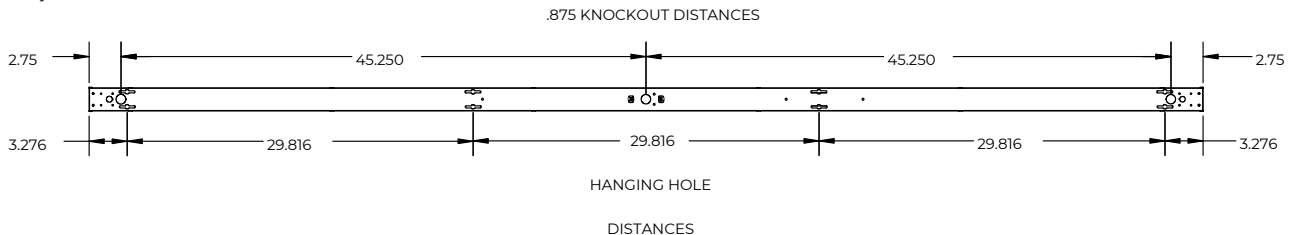
**LS2/RS2P48**



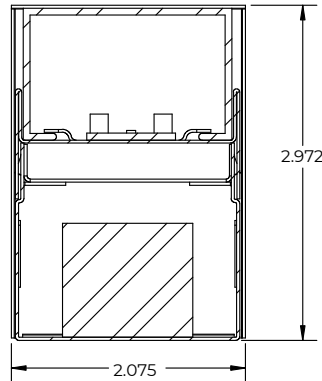
**LS2/RS2P72**



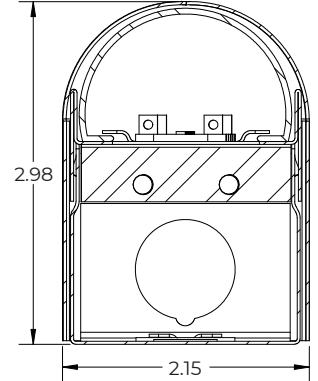
**LS2/RS2P96**



**LS2 Side View**



**RS2 Side View**



Dimensions and specifications subject to change without notice.



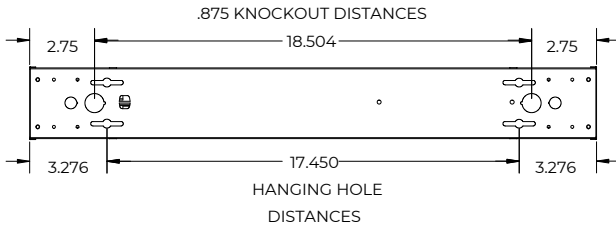
JOB NAME:

CAT#:

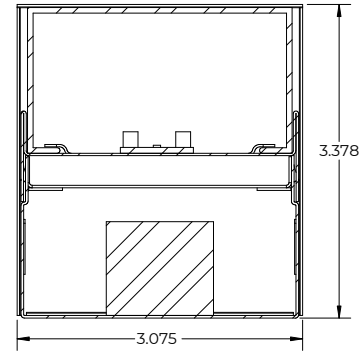
TYPE:

**DIMENSIONS**

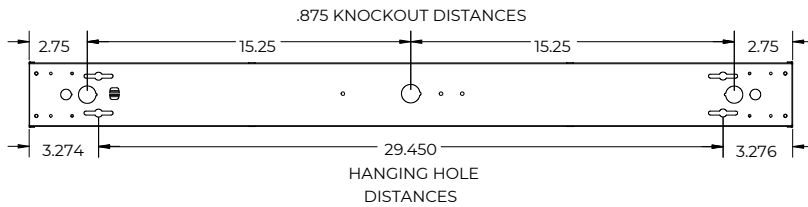
**LS3/RS3P24**



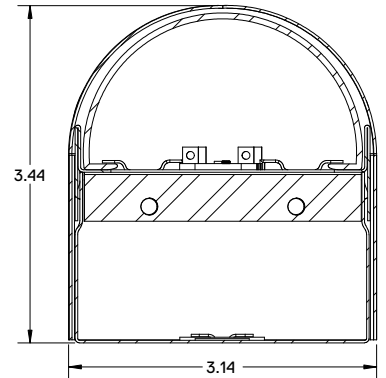
**LS3 Side View**



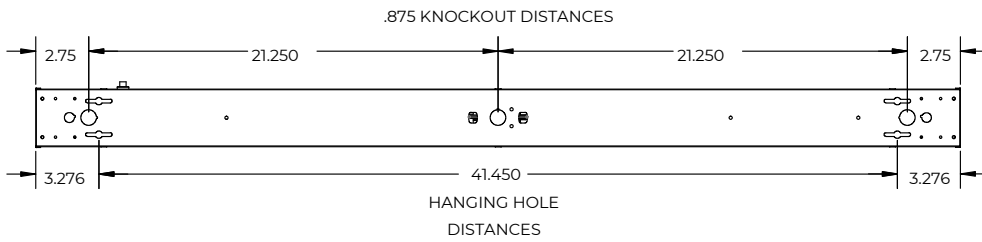
**LS3/RS3P36**



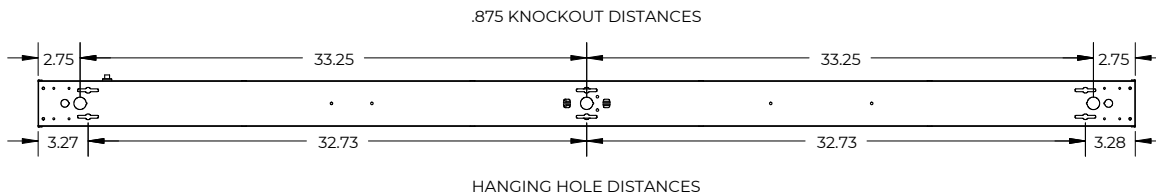
**RS3 Side View**



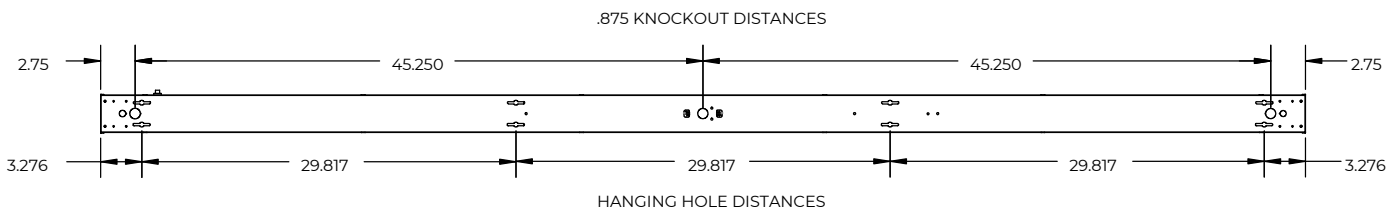
**LS3/RS3P48**



**LS3/RS3P72**



**LS3/RS3P96**



Dimensions and specifications subject to change without notice.



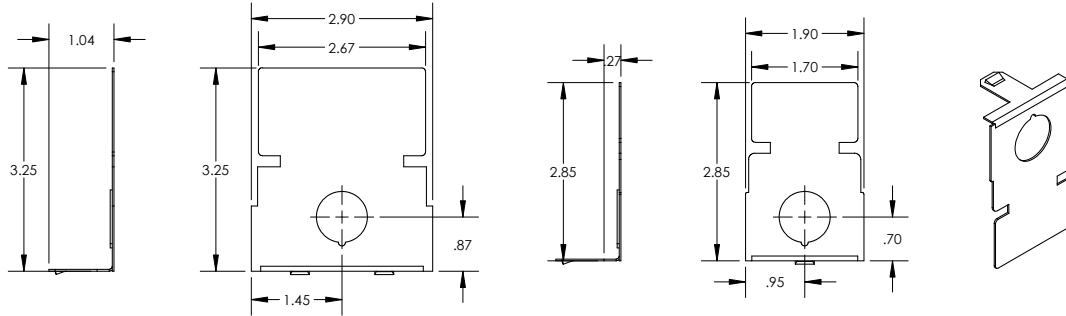
JOB NAME:

CAT#:

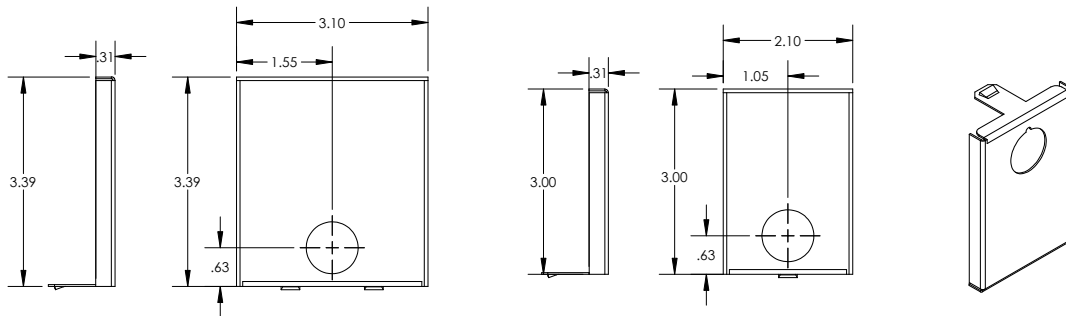
TYPE:

**DIMENSIONS**

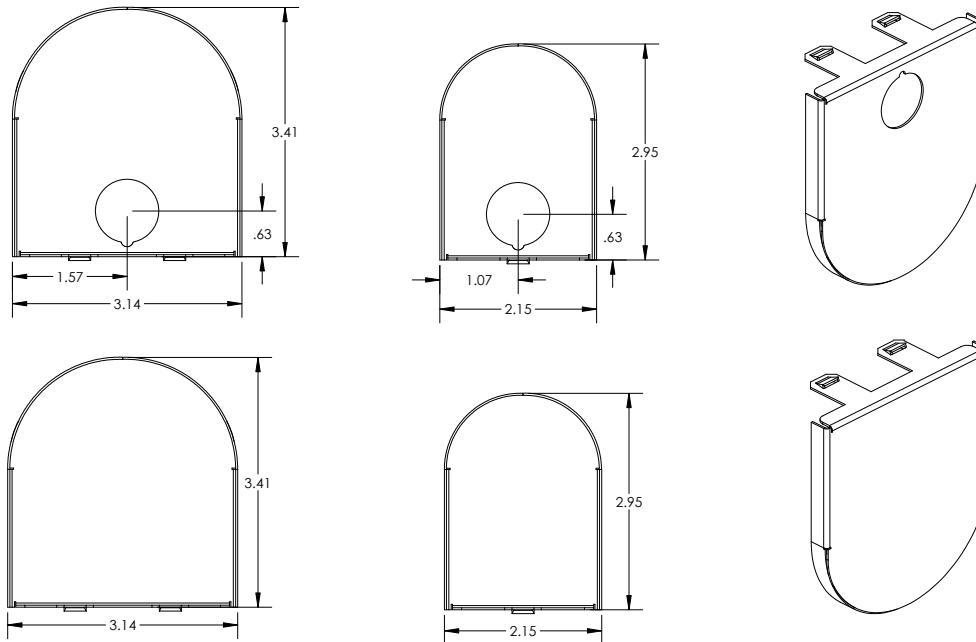
**LS2/LS3 CR-L Endcap**



**LS2/LS3 CR Endcap**



**RS2/RS3 Endcap**



Dimensions and specifications subject to change without notice.