

JOB NAME:
CAT#:
TYPE:

ILLUMINATION

- Adjustable, glare-free PAR-Type lamps heads with 7.2 watt (on 6V models) and 9/12 watt (on 12V models) incandescent lamp heads.

ELECTRICAL

- Dual 120/277 voltage
- Charge rate/power "ON" LED indicator light and push-to-test switch for mandated code compliance testing.
- LVD (low voltage disconnect) prevents battery from deep discharge.
- 6V maintenance-free, rechargeable sealed lead acid battery
- Remote capacity of 35.6W (6V 50W model)/32W (12V 50W model)/85.6W (6V 100W model)/76W (12V 100W model) standard.
- Internal solid-state transfer switch automatically connects the internal battery to the lamp heads for minimum 90-minute emergency illumination.
- Fully automatic solid-state, two rate charger initiates battery charging to recharge a discharged battery in 24 hours.



MOUNTING

- Universal knockout pattern on back for wall mount
- Knockouts for conduit feed applications

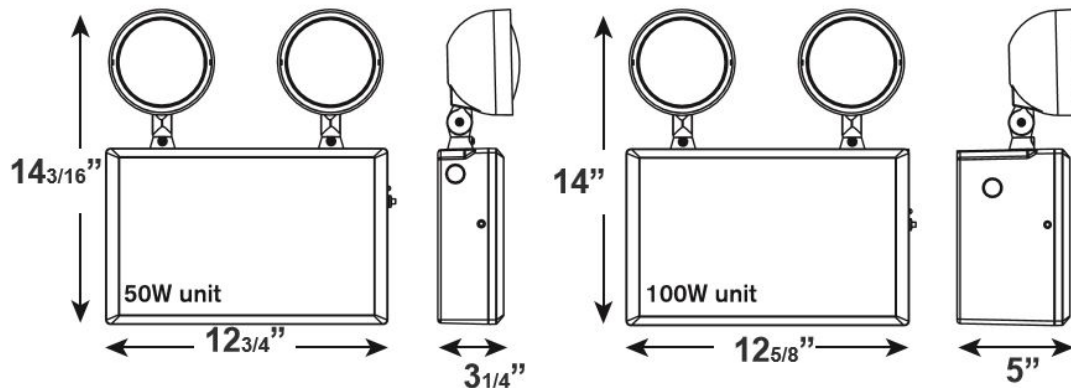
HOUSING

- Injection-molded, engineering grade, 5VA flame retardant, high-impact thermoplastic construction

WARRANTY/LISTING

- Five year warranty on all electronics and housing. Battery prorated for two years
- Meets UL924, NFPA 101 Life Safety Code, NEC, OSHA, Local and State Codes
- UL listed for dry locations (25°C)

DIMENSIONS



Dimensions and specifications subject to change without notice.





JOB NAME:

CAT#:

TYPE:

ORDERING

EXAMPLE: DXR 6 5

DXR

1. MODEL	2. VOLTAGE	3. CAPACITY	4. HEATER (O) ¹	5. LAMP (O) ¹
DXR	6 6 Volts 12 12 Volts	5 50 Watt 10 100 Watt	HTR Internal Heater ²	20SB 12V20W Sealed Beam Halogen ³

Notes:

¹(O) is optional

²Available with 50W units only

³Available 12V units only

Dimensions and specifications subject to change without notice.

