



JOB NAME:

CAT#:

TYPE:

APPLICATIONS

Blending together industrial design and a modern aesthetic is Mobern's Acoustic Cog Pendant. This uniquely shaped fixture is constructed from PET acoustic material that utilizes sound-absorbing technology to reduce noise in areas where echoing is prevalent. Depending on the amount of light needed for a space, choose between two lighting options (1 or 7 lamps) both of which use energy efficient LED disks. Add additional pops of color by selecting from 30+ color options to customize both the inner and outer baffles. This pendant mounted fixture is a perfect solution for lobbies, libraries, conference centers, or any open-space where modern lighting is needed.

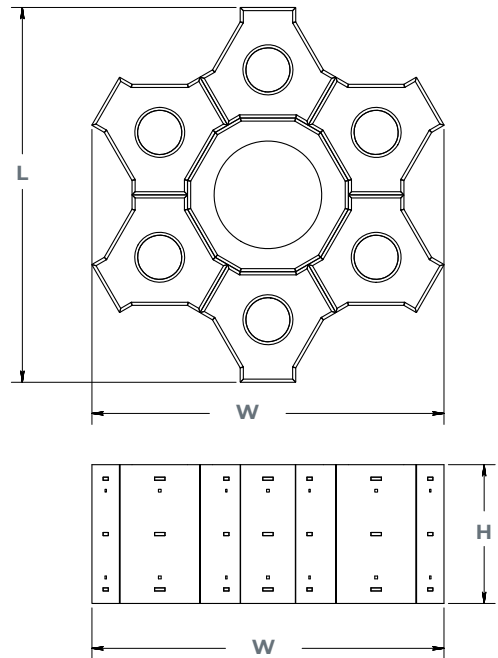
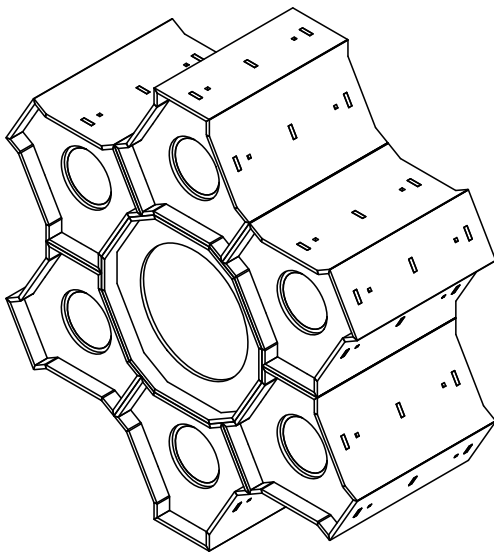
FEATURES & BENEFITS

- 30+ acoustic material colors available
- 6' pendant mount hanging kit accommodates most ceiling types
- CRI >80 (90 CRI available)
- >50,000 hrs of L₇₀ LED life
- 0-10 Volt dimmable 120-277V
- Power factor >0.90
- 5 year warranty



DIMENSIONS

| Part | L | W | H | L = Length W = Width H = Height |
|-----------|-------|-------|--------|---------------------------------------|
| AGPP40X43 | 42.5" | 39.9" | 15.75" | |



Dimensions and specifications subject to change without notice.





JOB NAME:

CAT#:

TYPE:

ORDERING

EXAMPLE: AGP P 40X43 LED 130 DMV 30 A53 A17 CO

| AGP | | P | | LED | | | | | | | | |
|------------|------------------|-----------------|-------------|------------|-------------------|-----------------------|-------------|-------------------------------|---------------|-------|-------------------------|---------|
| 1. SERIES | 2. MOUNTING | 3. WIDTHXLENGTH | | 4. GEAR | 5. WATTAGE/LUMENS | | 6. DRIVER | | 7. COLOR TEMP | | 8. FLAIR A ¹ | |
| AGP | P Pendant | 40X43 | 40"W x 43"L | LED | | | | | | | | |
| | | | | | | -C | D120 | 120V ELV/ Triac Dimming | 30 | 3000K | A53 | Lava |
| | | | | | 40 | 40 Watts 2500 Lumens | | | | | A50 | Caramel |
| | | | | | | -CO | | | | | A48 | Avocado |
| | | | | | 130 | 130 Watts 9100 Lumens | | | | | | |

| 8. FLAIR B ² | | 9. CONFIGURATION | | 10. MATERIAL CLASS | |
|-------------------------|-----------|------------------|-------------------------|--------------------|---------|
| A54 | Espresso | C | Center Light Only | Blank | Class B |
| A55 | Tangerine | | | A | Class A |
| A17 | Dark Gray | CO | Center and Outer Lights | | |

Notes:

¹Flair A refers to the horizontal acoustic material pieces

²Flair B refers to the vertical acoustic material pieces

Dimensions and specifications subject to change without notice.



JOB NAME:

CAT#:

TYPE:

ACOUSTIC MATERIAL COLOR OPTIONS



07 - White



44 - Ivory



42 - Cream



52 - Latte



02 - Taupe



53 - Smoky
Beige



09 - Deep
Blue



21 - Indigo
Blue



19 - Denim



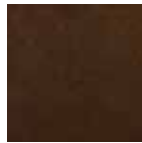
56 - Azure



30 - Blue



18 - Arctic Ice



54 - Espresso



49 - Brunette



35 - Speckled
Earth



43 - Lava



36 - Berry



45 - Big Red



55 - Tangerine



41 - Marigold



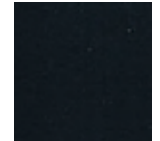
50 - Caramel



51 - Sunkist
Orange



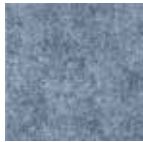
22 - Yellow



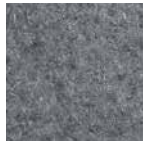
10 - True
Black



17- Dark
Gray



11 - Steel



34 - Pure
Gray



06-12-City
Brown



03-12-
Light Gray



47 - Emerald



05 - Dark
Green



12 - Moss



39 - Green
Apple



48 - Avocado



08 - Eggplant

Dimensions and specifications subject to change without notice.