



JOB NAME:

CAT#:

TYPE:

FEATURES & BENEFITS

- Polycarbonate lexan spring loaded cover
- 12 top holes w/polycarbonate lexan bushings
- Reinforced hand hold cover
- Anchor bolts and template included
- Easily secured base cover
- Bronze polyester powder-coat finish
- Pole cap is included
- Conforms to ASTM-A-500 Grade B; Minimum yield strength of 46,000 PSI
- Polyester powder-coated finish on Sandblasted Surface Chemical Treated to insure Maximum Paint Adhesion, Baked at 400° to ensure Maximum Hardness and Durability
- Wall Thickness available in Gauge 11 (.120") or Gauge 7 (.180")
- Meets ASTM 500 standard.

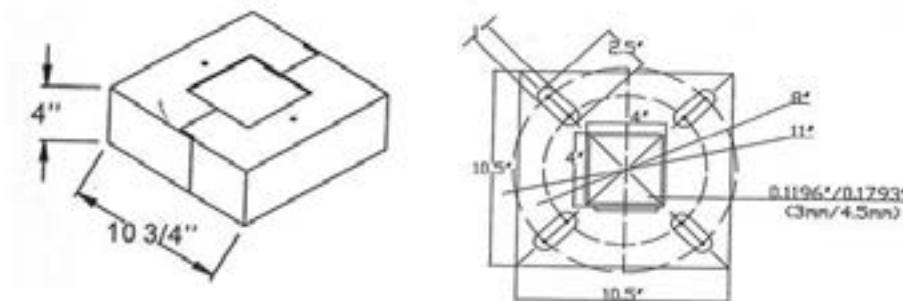


Item Number	Dimensions
MIPK164SQNT	16 ft. 4x4 Square 11 Gauge Pole
MIPK204SQNT	20 ft. 4x4 Square 11 Gauge Pole
MIPK254SQNT	25 ft. 4x4 Square 11 Gauge Pole

Shaft Size	Gauge	Base Plate Size	Bolt Circle	Bolt Size	Weight (lbs)
16 ft.	11	10.5" x 10.5" x 3/4"	9" - 3/16"	3/4" x 30"	135
20 ft.	11	10.5" x 10.5" x 3/4"	9" - 3/16"	3/4" x 30"	146
25 ft.	11	10.5" x 10.5" x 3/4"	12" - 3/4"	1" x 36"	176

Pole	80 MPH Max EPA	80 MPH Max Fixture Weight (lbs)	90 MPH Max EPA	90 MPH Max Fixture Weight (lbs)	100 MPH Max EPA	100 MPH Max Fixture Weight (lbs)
16' 4SQ 11 Ga.	10.1	300	7.6	264	5.0	260
20' 4SQ 11 Ga.	10.1	320	7.6	279	5.0	275
25' 4SQ 11 Ga.	6.2	250	3.8	225	2.0	200

DIMENSIONS



Pole does not include tenon.
Poles can be cut to any length.

Dimensions and specifications subject to change without notice.





JOB NAME:

CAT#:

TYPE:

ACCESSORIES



Item #	Description	Finish/Color	Weight (lbs)	Units/Carton
MITVA4	4" Square Vertical Tenon	Bronze	2.7	12
MITVA5	5" Square Vertical Tenon	Bronze	2.9	12

2" Slip Fitter



Item #	Description	Finish/Color	Dimensions	Weight (lbs)	Units/Carton
MITV2*	Twin Square Vertical Tenon	Bronze	24 2/5"	4.2	1

*Requires MITVA4 or MITVA5

2" Slip Fitter



Item #	Description	Finish/Color	Dimensions	Weight (lbs)	Units/Carton
MITV3	Triple Square Vertical Tenon	Bronze	24 2/5"x24 2/5"	4.2	1

2" Slip Fitter



Item #	Description	Finish/Color	Dimensions	Weight (lbs)	Units/Carton
MITVC4*	90° Quad Square Vertical Tenon	Bronze	34 1/4"	4.9	1

*Requires MITVA4 or MITVA5

2" Slip Fitter



Item #	Description	Finish/Color	Dimensions	Weight (lbs)	Units/Carton
MITV4	180° Quad Square Vertical Tenon	Bronze	24"x24"x24"	5.7	1

2 Piece U-bracket



Accessories

MIA41

Adjustable Slip Fitter



MI2AF

Mounting Arm 6"



MISSA-M

Mounting Arm 10"



MISSA

Dimensions and specifications subject to change without notice.