



Texas Fluorescents
Reinvented

CATALOG#: _____
PROJECT: _____
TYPE: _____

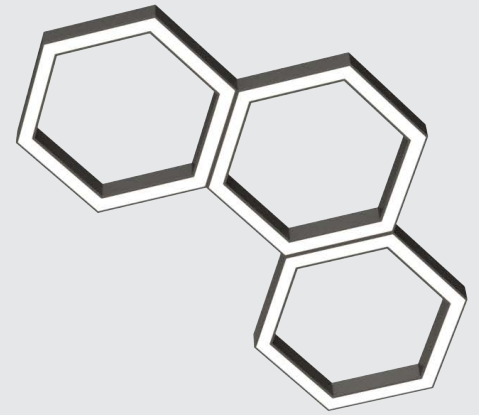
Linear Hex Connector Series

Architectural LED Linking Polygons

Upgrade your lighting experience with this unique and stylish fixture based on nature's strongest shape. The LHC Series allows customers to create their own custom patterns of polygon fixtures to create an interesting look in any space. The LHC Series can be linked together in several ways allowing for infinite design possibilities.

CONSTRUCTION

Housing is laser cut, welded, and fabricated from 22 gauge powder coated cold-rolled steel. Multiple knockouts on fixtures allow for seamless wiring between fixture sets. Specially designed 18 gauge cold-rolled steel joiner brackets make connecting fixtures frictionless.



INDIVIDUAL FIXTURE DIMENSIONS
D = 24" x 3" H

BASE CONFIGURATION DIMENSIONS
46" W x 57" L x 3" H

SPECIFICATIONS

- Customizable patterns
- Pendant mounted with hanging kit options to fit most ceiling types
- Multiple Kelvin temperature options (3000K, 3500K, 4000K, 5000K)
- CRI > 80 (90 CRI available)
- >50,000 hrs of L70 LED life
- Rated for dry and damp locations
- 0-10 Volt dimmable 120-277V
- Power factor >0.90
- 5 year warranty



CATALOG#: _____
PROJECT: _____
TYPE: _____

LHC Series

Architectural LED
Linking Hexagons

ORDERING GUIDE

Factory at your fingertips. Fill in the blanks to create your part number or create a custom configuration.

Sample Part Number: LHC-P-FR-24-LQ-D30-DMV-WH-35K-HC801WH

SERIES	MOUNTING	DIFFUSER	DIAMETER ¹	GEAR	WATTAGE	DRIVER
LHC	P Pendant	FR Frosted	24 D = 24"	LQ	D30 30 Watts 3000 Lumens	DMV 122-277VAC 0-10V Dimming D1MV 122-277VAC 0-10V Dimming (dim to 1%)

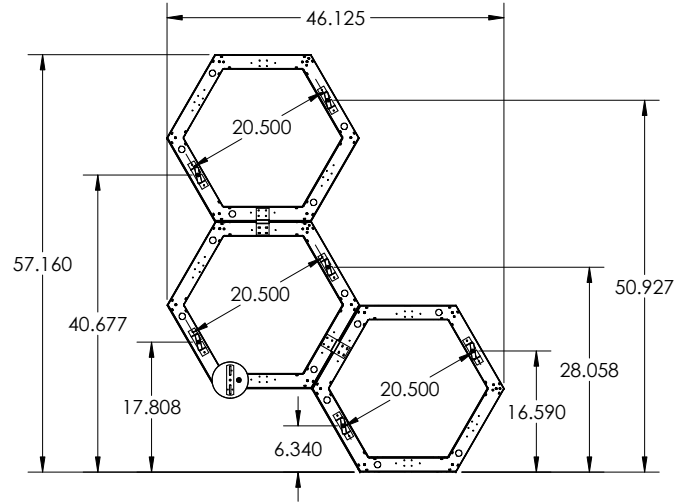
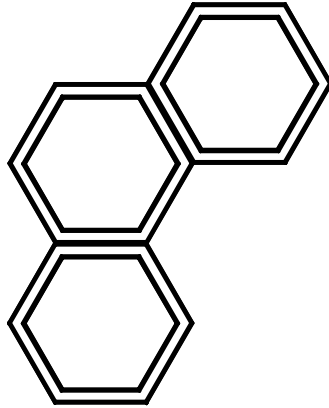
FINISH ²	CCT	OPTIONS
WH White	30K 3000K	HC801WH Cable kit with 6' cable & 3 wires power feed cable incl. and white canopy
BK Black	35K 3500K	
SI Silver	40K 4000K	
** Custom Color	50K 5000K	

Note:

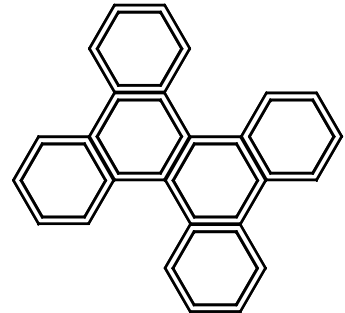
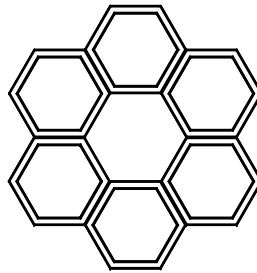
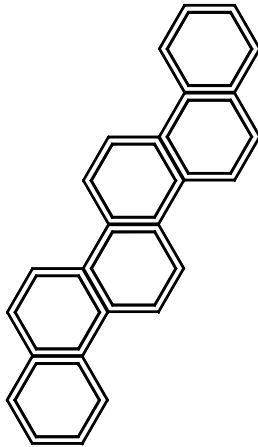
- Individual fixture diameter is 24", fixture sold in sets of 3

We reserve the right to change design, materials, LED's and finish in any way that will not alter installed appearance or reduce function and performance.

PRODUCT DIMENSIONS
Base Configuration



EXAMPLE PATTERNS*



*Note: These are only a few possible patterns, please consult the factory to design your own pattern. All designs and drawings will require approval.