

# Series LEDTFX2

## Wet Location Remote Capable LED Emergency Unit

### ILLUMINATION

- Sealed and gasketed weather proof lamp heads with high performance chrome-plated metallized reflector and tempered glass lenses for optimal light distribution.
- Long lasting efficient ultra bright white LED lamp heads
- 1.875W (15 LEDs x 0.125) per head

### ELECTRICAL

- Dual 120-277 voltage
- Charge rate/power "ON" LED indicator light and push-to-test switch for mandated code compliance testing
- 9.6V long life, maintenance-free, rechargeable NiCd battery
- Internal solid-state transfer switch automatically connects the internal battery to LED board and LED lamp heads for minimum 90-minute emergency illumination
- Fully automatic solid-state, two rate charger initiates battery charging to recharge a discharged battery in 24 hours.
- Remote capacity of 3.7W standard in operating temperatures of 0°C - 50°C

### MOUNTING

- External mounting brackets for simplified wall mounting.

### HOUSING

- Corrosion-resistant 5VA flame retardant UV-stabilized polycarbonate in gray or black finish
- Sealed and gasketed housing with hinged cover
- Sealed test switch

### WARRANTY

- Five year warranty on all electronics and housing. Battery pro-rated for five years.
- Meets UL924, NFPA, 101 Life Safety Code, NEC, OSHA, Local and State Codes.
- UL Listed for wet locations (-20°C - 50°C).



### DIMENSIONS

9 5/16"L x 3 1/2"W x 12 3/16"H

### FEATURES & BENEFITS

- Wet-location rated, weatherproof, sealed and gasketed 2-head LED Emergency Fixture
- Standard gray housing (optionally available in black)
- Push-to-test switch for easy compliance testing
- Simple external mounting brackets for convenience
- 5 year warranty

#### STANDARD



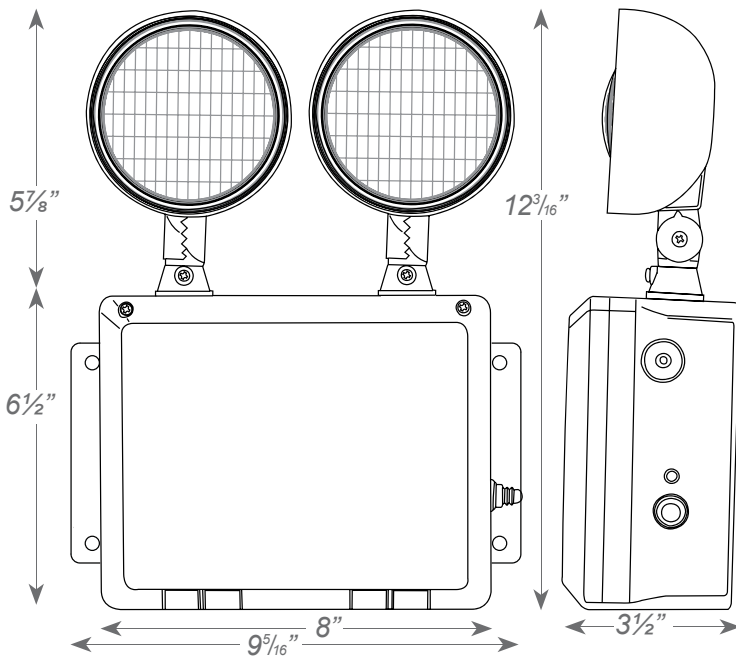
**ORDER INFORMATION**

Factory at your fingertips. Fill in the blanks to create your part number or create a custom configuration.

Special voltage options available. Contact factory.

SERIES	HOUSING COLOR	
LEDTFX-2	Blank	Gray
	B	Black

**DRAWINGS & IMAGES**



**Note:**  
 We reserve the right to change design, materials, LEDs and finish in any way that will not alter installed appearance or reduce function and performance.



CATALOG#: \_\_\_\_\_  
 PROJECT: \_\_\_\_\_  
 TYPE: \_\_\_\_\_

# Series LEDTFX2

Wet Location Remote Capable LED  
Emergency Unit

## ELECTRICAL INFORMATION

CATALOG NUMBER	INPUT WATTS (W)		INPUT AMPS (A)	
	120V	277V	120V	277V
LEDTFX-2	2.7	2.7	0.030	0.013

## CENTER-TO-CENTER SPACING GUIDELINES

For reference only.



1	0.04	0.05	0.07	0.11	0.15	0.25	0.54	0.93	0.48	0.50	0.44	0.41	0.55	0.67	0.96	0.79	0.35	0.11	0.09	0.06	0.04	0.04	0.02	0.02	
2	0.04	0.05	0.06	0.10	0.20	0.53	2.11	3.64	1.87	0.80	0.62	0.64	0.88	1.47	2.93	3.31	1.31	0.44	0.10	0.07	0.05	0.03	0.02	0.02	
3	0.04	0.05	0.08	0.12	0.20	0.76	2.8.	3.33	2.56	1.77	0.98	1.02	1.12	2.74	3.00	3.12	0.95	0.33	0.10	0.07	0.06	0.04	0.02	0.02	
4	0.04	0.07	0.09	0.13	0.19	0.51	1.40	2.19	3.15	2.85	1.33	0.95	1.05	3.55	2.31	1.78	1.03	0.41	0.12	0.08	0.05	0.03	0.02	0.02	
5	0.05	0.06	0.07	0.11	0.16	0.25	0.50	1.33	3.05	3.40	1.36	0.84	0.75	2.53	1.20	0.53	0.33	0.15	0.10	0.07	0.05	0.04	0.02	0.02	
6	0.04	0.06	0.08	0.12	0.14	0.20	0.25	0.54	0.98	1.29	0.67	0.67	0.71	0.94	0.55	0.31	0.22	0.11	0.08	0.06	0.04	0.03	0.02	0.02	
	12	11	10	9	8	7	6	5	4	3	2	1	0	1	2	3	4	5	6	7	8	9	10	11	12

Meets NFPA 101 Requirements for: 16' center-to-center spacing - 3' path of egress 1' from the wall- 7 1/2' mounting height.

## REMOTE LAMP COMPATIBILITY

MODEL NUMBER	BATTERY	REMOTE CAPACITY	COMPATIBLE REMOTE HEAD FAMILY																					
			RHLED			RH16LED	RH16		RH		RHR		SRH		SRHLED									
			3.6V	9.6V	MV		6V	12V	6V	12V	6V	12V	6V	12V										
LEDTFX-2	9.6V	3W		X	X																			