



JOB NAME:

CAT#:

TYPE:

ILLUMINATION

- Sealed and gasketed weather proof lamp heads with high performance chrome-plated metallized reflector and tempered glass lenses for optimal light distribution
- Long lasting efficient ultra bright white LED lamp heads
- 1.875 watt (15 LEDs x 0.125) per head



ELECTRICAL

- Dual 120/277 voltage
- Charge rate/power "ON" LED indicator light and push-to-test switch for mandated code compliance testing.
- 9.6V long life, maintenance-free, rechargeable NiCd battery
- Remote capacity of 3.7 watt standard in operating temperatures of 0°C-50°C
- Internal solid-state transfer switch automatically connects the internal battery to the lamp heads for minimum 90-minute emergency illumination.
- Fully automatic solid-state, two rate charger initiates battery charging to recharge a discharged battery in 24 hours.

MOUNTING

- External mounting brackets for simplified surface mounting
- Knockout for conduit applications

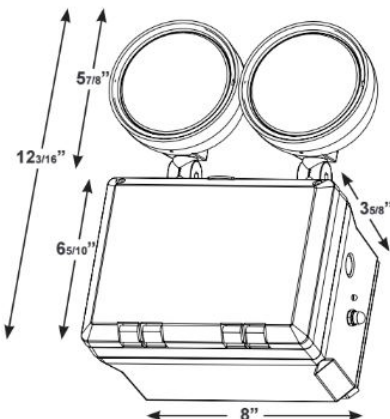
HOUSING

- Corrosion-resistant 5VA flame retardant UV-stabilized polycarbonate in gray or black finish
- Sealed and gasketed housing with hinged cover
- Sealed test switch

WARRANTY/LISTING

- Five year warranty on all electronics and housing. Battery prorated for 5 years
- Meets UL924, NFPA 101 Life Safety Code, NEC, OSHA, Local and State Codes
- UL listed for wet locations (-20°C-50°C)

DIMENSIONS



Dimensions and specifications subject to change without notice.





JOB NAME:

CAT#:

TYPE:

ORDERING

EXAMPLE: LEDTFX-2

LEDTFX-2

1. MODEL	2. HOUSING COLOR	3. LISTING (O) ¹
LEDTFX-2	(blank) Gray B Black	CEC Title 20 Compliant

Notes:

¹(O) is optional

Dimensions and specifications subject to change without notice.

