

Series LEDR2

Adjustable Optics LED Emergency Unit



ILLUMINATION

- Long lasting, efficient ultra-bright white LED lamp heads. 1W (8 LEDs x 0.125 watts) per head.
- 1W (8 LEDs x 0.125W) per head.
- High performance chrome-plated metallized reflector and plastic lens for optimal light distribution.
- Two adjustable LED lamp heads provides optimal center-to-center spacing.

ELECTRICAL

- Dual 120-277 voltage standard. Optional multi-tap 208/220/240 voltage available
- Charge rate/power "ON" LED indicator light and push-to-test switch for mandated code compliance testing.
- 3.6V long life, maintenance-free, rechargeable NiCd battery
- Internal solid-state transfer switch automatically connects the internal battery to LED board and LED lamp heads for minimum 90-minute emergency illumination.
- Fully automatic solid-state, two rate charger initiates battery charging to recharge a discharged battery in 24 hours.

MOUNTING

- Surface mount via easy connect back plate, which fits most standard junction boxes and snaps into place making internal electrical connections.
- Top and side knockout for conduit applications.
- Suitable for wall or ceiling mount.

HOUSING

- Injection-molded, engineering grade, 5VA flame retardant high-impact resistant, thermoplastic in white or black finishes

WARRANTY

- Meets UL924, NFPA 101 Life Safety Code, NEC, OSHA, Local and State Codes
- UL listed for damp locations (0°C - 50°C)
- Five year warranty on all electronics and housing. Batteries pro-rated for five years.

DIMENSIONS

9 1/2"L x 2 1/4"W x 4 5/8"H

FEATURES & BENEFITS

- SPV: UL Listed for special voltage option
- 5 year warranty on all electronics and housing. Battery pro-rated for five years.

STANDARD



OPTIONAL

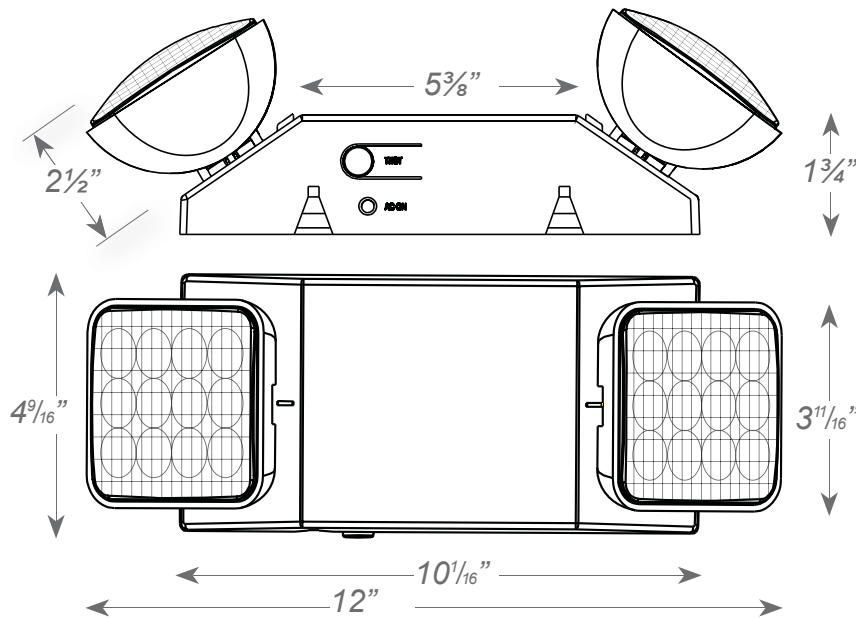


ORDER INFORMATION

Factory at your fingertips. Fill in the blanks to create your part number or create a custom configuration.

SERIES	HOUSING COLOR	OPTIONS
LEDR-2	Blank White	SV 208/220/240 Volt, 50/60Hz
	B Black	

DRAWINGS & IMAGES



Note:
 We reserve the right to change design, materials, LEDs and finish in any way that will not alter installed appearance or reduce function and performance.



CATALOG#: _____
 PROJECT: _____
 TYPE: _____

Series LEDR2

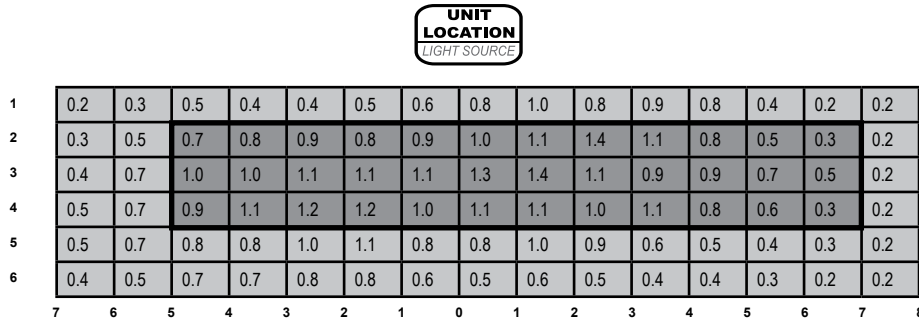
Adjustable Optics LED Emergency Unit

ELECTRICAL INFORMATION

CATALOG NUMBER	INPUT WATTS (W)						INPUT AMPS (A)					
	120V	277V	347V	208V	220V	240V	120V	277V	347V	208V	220V	240V
LEDR-1	1.8	1.8	-	2.6	3.5	3.1	0.022	0.010	-	0.024	0.029	0.025
LEDR-1 SDT	1.6	1.6	-	-	-	-	0.020	0.010	-	-	-	-
LEDR-1-CSA	2.0	-	2.0	-	-	-	0.023	-	0.008	-	-	-

CENTER-TO-CENTER SPACING GUIDELINES

For reference only.



Meets NFPA 101 Requirements for: 10' center-to-center spacing - 3' path of egress 1' from wall - 7 1/2' mounting height.