



JOB NAME:

CAT#:

TYPE:

APPLICATIONS

Ideal for parks, walkways, and commercial office buildings applications where landscape lighting may come into use.

FEATURES & BENEFITS

HOUSING

- Corrosion resistant heavy duty cast aluminum construction.
- Standard 2 3/8" open on the bottom
- Pass 3 G vibration testing
- Wiring comparting on the top for easy access and ease of installation

FINISH

- Superior powder-coat finish to withstand the toughest weather

OPTIONS

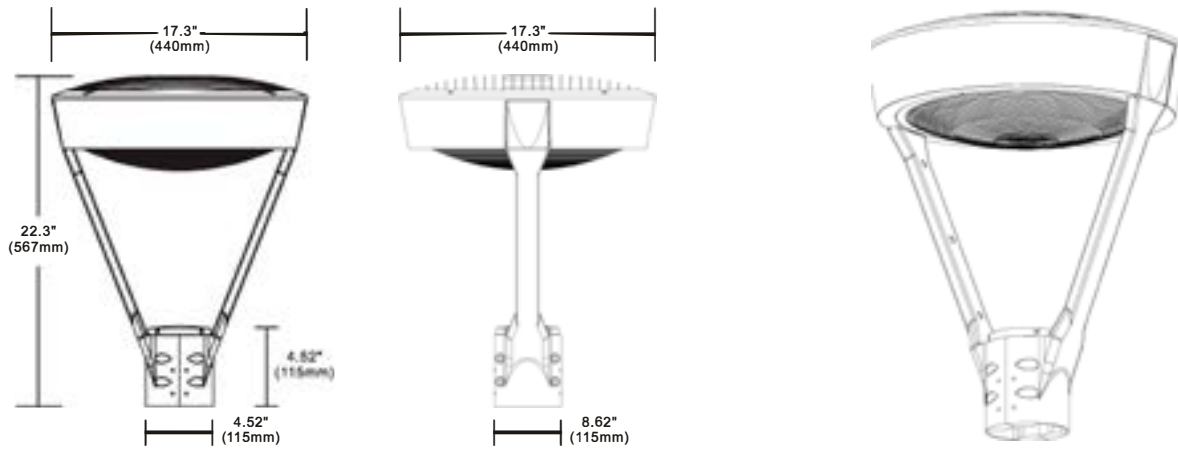
- Precision injection-molded., UV polycarbonate optic lens
- Optional photocell with adder
- Optional 347V with adder
- Optional Kelvin color with adder

LISTING

- UL and cUL Listed for wet locations



DIMENSIONS



Dimensions and specifications subject to change without notice.





JOB NAME:

CAT#:

TYPE:

ORDERING

EXAMPLE: LED-9800 053 UNV 40 T5 XS BZ

LED-9800

1. SERIES	2. SYSTEM WATTS	3. INPUT VOLTAGE	4. CRI	5. COLOR TEMP	6. DISTRIBUTION	7. OPTION/ACCESSORIES
LED-9800	053 53W 078 78W 143 143W	UNV 120-277V	Blank 70+	40 4000K 50 5000K	T5 Type VS	XS 10kv Surge OS Occupancy Sensor

8. FINISH

BZ Bronze
WT White

9. STARTING TEMP

-40°C

Model No.	Light Beads	System Watts	Dist. Type	Lumens	Lpw	B	U	G
LED-9800	L240	53W	Type VS	6814 lm**	126 lm/W	4	3	3
	L336	78W	Type VS	9506 lm**	129 lm/W	4	3	3
	L432	143W	Type VS	15408 lm**	130 lm/W	4	3	3



Notes:

Different LED Kelvin temperature available with 4-6 week lead time. Please call for a quote.

*DISCLAIMER: This test report was produced in accordance with IES LM-79 photometric testing protocol for luminaires, using a single representative test fixture. Actual production units may vary from the values reported here by up to ± 10%.

Dimensions and specifications subject to change without notice.