

JOB NAME:
CAT#:
TYPE:

ILLUMINATION

- Ultra bright, energy efficient, long life red or green LEDs

ELECTRICAL

- Dual 120/277 voltage
- Unique bi-color LED indicator light alerts occupant on battery condition (green-normal, red-check battery)
- Charge rate/power "ON" LED indicator light and magnetic test switch for mandated code compliance testing
- 4.8V long-life, maintenance-free, rechargeable NiCd battery (EM models only)
- Internal solid-state transfer switch automatically connects the internal battery to LED board for minimum 90-minute emergency illumination
- Fully automatic solid-state, two-rate charger initiates battery charging to recharge a discharged battery in 24 hours

MOUNTING

- Universal mounting knockout pattern on back provided with gasket for watertight seal for back mount
- Polycarbonate mounting canopy included for top or end mount

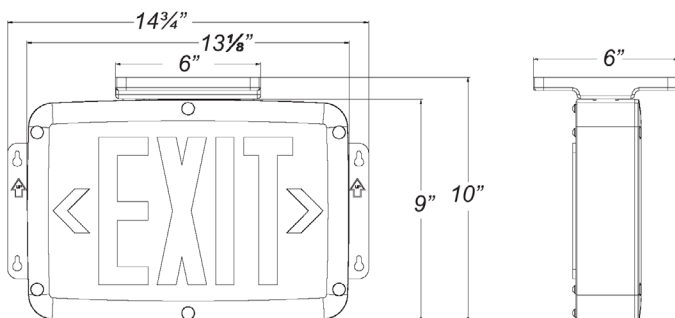
HOUSING

- Housing is reinforced polycarbonate construction in white, gray, or black finish
- Corrosion-resistant enclosure with one piece, high-impact resistant, UV stabilized polycarbonate lens and molded gasket with stainless steel screws
- Knockouts provided for conduit feed applications
- EZ snap-out chevron directional indicators

WARRANTY/LISTING

- Five year warranty on all electronics and housing. Batteries prorated for five years
- Meets UL924, NFPA 101 Life Safety Code, NEC, OSHA, Local and State Codes
- NEMA4X and NSF rated
- IP66 rated
- UL certified for use in food service operations
- Certified to CEC under Title 20 regulations
- UL listed for wet locations (-20°C-50°C)

DIMENSIONS



Dimensions and specifications subject to change without notice.





JOB NAME:

CAT#:

TYPE:

ORDERING

EXAMPLE: INDWLEZU 2 R W

INDWELZU

| 1. MODEL | 2. # OF FACES | 3. LETTER COLOR | 4. HOUSING COLOR | 5. BATTERY | 6. DIAGNOSTICS (O) ¹ |
|----------|----------------------|------------------|------------------------------|------------------------------------|-----------------------------------|
| INDWELZU | 1 Single 2 Double | R Red G Green | W White B Black G Gray | (blank) AC-Only EM NiCd Battery | SDT Self-Diagnostics ² |

| 7. CIRCUITING (O) ¹ | 8. TAMPERING (O) ¹ |
|------------------------------------------------------------------------------------------------------|-------------------------------|
| 2C-120 Dual Circuit With 120V Input ³ 2C-277 Dual Circuit With 277V Input ³ | TP Tamper-Proof |

Notes:

¹(O) is optional

²Available only with EM units

³Available only with AC units

Dimensions and specifications subject to change without notice.

