



JOB NAME:

CAT#:

TYPE:

### ILLUMINATION

- Two fully adjustable, ultra bright 3.3 watt high performance MR-16 base LED lamp heads for optimized center-to-center spacing
- Long-life, energy efficient red or green LED exit sign illumination

### ELECTRICAL

- Dual 120/277 voltage
- Unique bi-color LED indicator light alerts occupant on battery condition (green-normal, red-check battery)
- Charge rate/power "ON" LED indicator light and magnetic test switch for mandated code compliance testing
- 6V/12V maintenance-free rechargeable NiCd battery (12W, 15W models)
- 6V/12V maintenance-free, rechargeable sealed lead acid battery (28W model)
- Offers 4.8W, 7.8W, 20.8W of remote capacity (6V/12V DC output) standard on the 12W, 15W, and 28W models
- Internal solid-state transfer switch automatically connects the internal battery to LED board and lamp heads for minimum 90-minute emergency illumination
- Fully automatic solid-state, two-rate charger initiates battery charging to recharge a discharged battery in 24 hours



### MOUNTING

- Universal knockout pattern on back provided with gasket for watertight seal for back mount
- Polycarbonate mounting canopy included for top or end mount

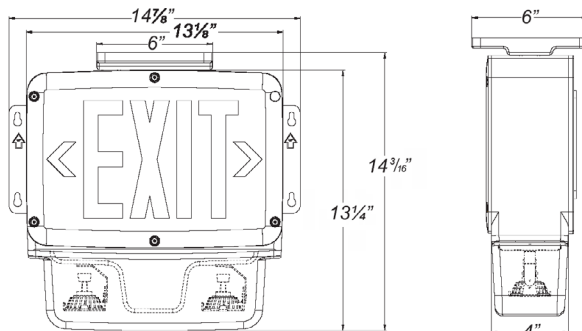
### HOUSING

- Housing is reinforced polycarbonate construction in white, gray, or black finish
- Corrosion-resistant enclosure with one piece, high-impact resistant, UV stabilized polycarbonate lens and molded gasket with stainless steel screws
- Knockouts provided for conduit feed applications
- EZ snap-out chevron directional indicators

### WARRANTY/LISTING

- Five year warranty on all electronics and housing. Batteries prorated for two (lead acid) or five (NiCd) years
- Meets UL924, NFPA 101 Life Safety Code, NEC, OSHA, Local and State Codes
- NEMA4X and NSF rated
- IP66 rated for ingress protection
- UL certified for use in food service operations
- UL listed for wet locations (-20°C-50°C on 12W & 15W models, 10°C-40°C on 28W models)

### DIMENSIONS



Dimensions and specifications subject to change without notice.





**JOB NAME:**

**CAT#:**

**TYPE:**

**ORDERING**

EXAMPLE: INDCWLEZU 1 R 6 15 B

**INDCWELZU**

1. MODEL	2. # OF FACES	3. LETTER COLOR	4. VOLTAGE	5. WATTAGE	6. HOUSING COLOR	7. DIAGNOSTICS (O) <sup>3</sup>
INDCWELZU	1 Single <sup>1</sup>	<b>R</b> Red	<b>6</b> 6 Volts	<b>12</b> 12 Watts	<b>W</b> White	<b>SDT</b> Self-Diagnostics
	2 Double <sup>2</sup>	<b>G</b> Green	<b>12</b> 12 Volts	<b>15</b> 15 Watts <b>28</b> 28 Watts	<b>B</b> Black <b>G</b> Gray	

8. WEATHER (O) <sup>3</sup>	9. TAMPERING (O) <sup>3</sup>	10. LAMP HEADS (O) <sup>3</sup>
<b>CW</b> Cold Weather <sup>4</sup>	<b>TP</b> Tamper-Proof	<b>NH</b> No Lamp Heads

**Notes:**

<sup>1</sup>Available only in 15W & 28W models

<sup>2</sup>Available only in 12W models

<sup>3</sup>(O) is optional

<sup>4</sup>Available only in 12W & 15W models

Dimensions and specifications subject to change without notice.

