



Series CWLEZXTE

Wet Location All LED Exit & Emergency Combo

ILLUMINATION

- Long lasting, efficient, ultra bright white LED lamp heads
- 3.6W (3 LEDs x 1.2 watt) per head
- Adjustable LED lamp heads provide optimal center-to-center spacing
- Long-life, energy efficient Red or Green LED exit sign illumination

ELECTRICAL

- Dual 120-277 voltage
- Unique bi-color LED indicator light alerts occupant on battery condition (Green-normal, Red-check battery)
- 6V long life, maintenance-free, rechargeable NiCd battery
- Internal solid-state transfer switch automatically connects the internal battery to LED board and LED lamp heads for minimum 90-minute emergency illumination
- Fully automatic solid-state, two rate charger initiates battery charging to recharge a discharged battery in 24 hours.

MOUNTING

- Die-cast aluminum mounting canopy included for top or end mount
- Universal K/O pattern on back plate for wall mount

HOUSING

- 5VA flame retardant, UV stabilized polycarbonate in white, black or gray finish
- High-impact resistant, UV stabilized polycarbonate clear lens
- Corrosion resistant enclosure with engineering grade silicone gasket
- Top and side K/Os provided for conduit feed applications
- EZ snap-out chevron directional indicators

WARRANTY

- Five year warranty on all electronics and housing. Battery pro-rated for five years.
- Meets UL924, NFPA 101 Life Safety Code, NEC, OSHA, Local and State Codes

DIMENSIONS

12 3/8"L x 5 15/16"W x 13 11/16"H

FEATURES & BENEFITS

- UL Listed for wet locations (0°C-50°C)
- SDT: Self-diagnostic feature performs monthly, biannual, and annual tests to ensure reliable operation and meet electrical and life safety codes
- TP: Tamper-proof hardware helps prevent unauthorized access to the unit
- CW: Optional internal heater and battery blank for extreme cold temperature applications (-20°C - 50°C)
- Custom: Signs available with requested 'special' wording

STANDARD



OPTIONAL

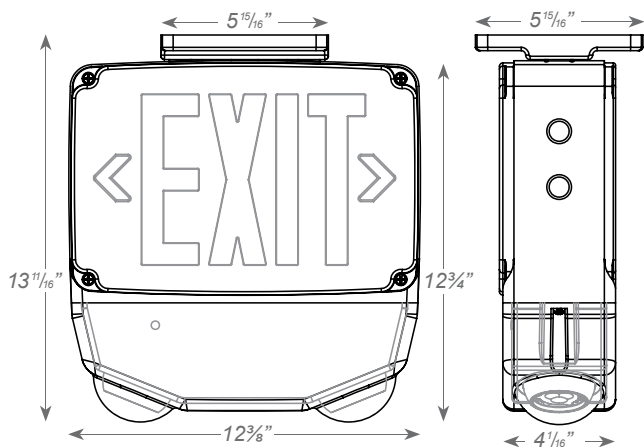


ORDER INFORMATION

Factory at your fingertips. Fill in the blanks to create your part number or create a custom configuration.

SERIES	NO. OF FACES	LETTER COLOR	HOUSING COLOR	OPTIONS
CWLEZXTEU	1 Single Face	R Red	W White	CW Cold Weather
	2 Double Face	G Green	B Black	RC Remote Capacity
			G Gray (with white faceplate)	SDT Self-diagnostics

DRAWINGS & IMAGES



REMOTE LAMP COMPATIBILITY

Reference remote lamp head specification sheets for complete catalog number ordering information.

MODEL NUMBER	BATTERY	REMOTE CAPACITY	COMPATIBLE REMOTE HEAD FAMILY												
			RHLED			RH16LED	RH16		RH		RHR		SRH		SRHLED
			3.6V	9.6V	MV		6V	12V	6V	12V	6V	12V	6V	12V	
CWLEZXTE	6V	7.2W			X	X	X		X		X		X		X

Note:
 We reserve the right to change design, materials, LEDs and finish in any way that will not alter installed appearance or reduce function and performance.



CATALOG#: _____
 PROJECT: _____
 TYPE: _____

Series CWLEZXTE

Wet Location ALL LED Exit & Emergency Combo

CENTER-TO-CENTER SPACING GUIDELINES

For reference only.



1	0.30	0.43	0.59	0.76	0.98	1.22	1.37	1.37	1.21	0.97	0.74	0.70	0.75	0.92	1.09	1.13	1.04	0.89	0.68	0.50	0.34	0.24	0.20	0.14	
2	0.36	0.50	0.77	1.02	1.26	1.51	1.69	1.60	1.43	1.15	0.89	0.83	0.93	1.20	1.51	1.67	1.57	1.33	1.03	0.71	0.52	0.35	0.24	0.18	
3	0.43	0.60	0.82	1.20	1.51	1.77	1.90	1.84	1.53	1.20	0.95	0.89	1.03	1.44	1.78	1.93	1.84	1.50	1.15	0.78	0.55	0.38	0.27	0.20	
4	0.42	0.60	0.85	1.13	1.44	1.70	1.82	1.70	1.38	1.12	0.89	0.87	1.05	1.50	1.83	2.09	2.00	1.68	1.26	0.94	0.66	0.40	0.31	0.23	
5	0.44	0.61	0.80	1.06	1.29	1.45	1.50	1.40	1.12	0.96	0.78	0.78	0.97	1.34	1.70	1.93	1.87	1.61	1.25	0.91	0.67	0.48	0.32	0.23	
6	0.37	0.54	0.69	0.86	1.05	1.10	1.12	1.04	0.87	0.70	0.62	0.64	0.80	1.06	1.34	1.58	1.55	1.37	1.12	0.90	0.68	0.50	0.34	0.24	
	12	11	10	9	8	7	6	5	4	3	2	1	0	1	2	3	4	5	6	7	8	9	10	11	12

Meets NFPA 101 Requirements for: 24'+ center-to-center spacing - 6'+ path of egress 0' from wall - 9' mounting height.

ELECTRICAL INFORMATION

CATALOG NUMBER	INPUT WATTS (W)		INPUT AMPS (A)	
	120V	277V	120V	277V
CWLEZXTEU-R	4.9	4.9	0.048	0.021
CWLEZXTEU-R-CW	33.3	146.9	0.286	0.535
CWLEZXTEU-R-RC	6.6	6.5	0.062	0.026
CWLEZXTEU-R-CW-RC	35	148.5	0.300	0.540
CWLEZXTEU-R-SDT	5.2	5.2	0.050	0.022
CWLEZXTEU-R-CW-SDT	33.6	147.2	0.288	0.536
CWLEZXTEU-R-RC-SDT	6.9	6.8	0.064	0.027
CWLEZXTEU-R-CW-RC-SDT	35.3	148.8	0.302	0.541
CWLEZXTEU-G	4.9	4.8	0.048	0.020
CWLEZXTEU-G-CW	33.3	146.8	0.286	0.534
CWLEZXTEU-G-RC	6.5	6.5	0.061	0.026
CWLEZXTEU-G-CW-RC	34.9	148.5	0.299	0.540
CWLEZXTEU-G-SDT	5.2	5.1	0.050	0.021
CWLEZXTEU-G-CW-SDT	33.6	147.1	0.288	0.535
CWLEZXTEU-G-RC-SDT	6.8	6.8	0.063	0.027
CWLEZXTEU-G-CW-RC-SDT	35.2	148.8	0.301	0.541