



JOB NAME:

CAT#:

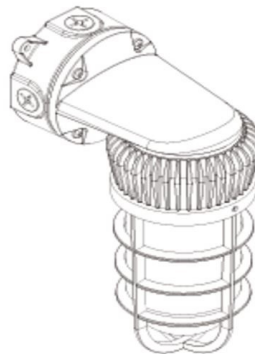
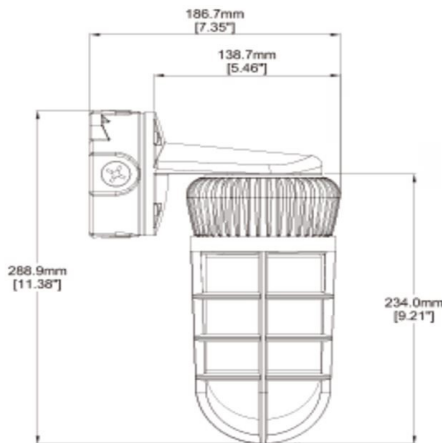
TYPE:

### FEATURES & BENEFITS

- Designed for excellent thermal management
- Min CRI 70
- Replaces 120W MH
- Aluminum sand blast finish
- Also available in ceiling mount. See VPL-CM.
- IP66 ratings
- UL listed for wet locations



### DIMENSIONS



### ORDERING

EXAMPLE: VPL 14W 40K V1 GG SB WM

VPL		14W		GG		SB	
<b>1. SERIES</b>	VPL Vapor Proof Light	<b>2. SYSTEM WATTAGE</b>	14W 14 Watts 1389 Lumens	<b>3. COLOR TEMP</b>	40K 4000K 50K 5000K	<b>4. VOLTAGE</b>	V1 120V V8 120-277V
				<b>5. MECHANICAL ACCESSORIES</b>	GG Glass Guard	<b>6. FINISH</b>	
						SB Sand Blast	

### WM

#### 7. MOUNTING

**WM** Wall Mount



Dimensions and specifications subject to change without notice.

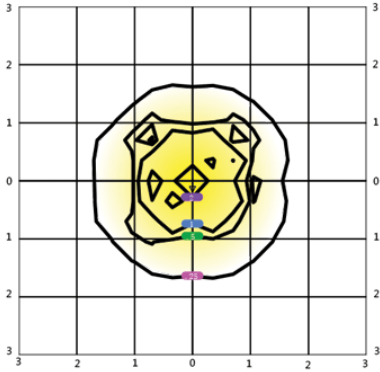


JOB NAME:

CAT#:

TYPE:

**PHOTOMETRICS**



Dimensions and specifications subject to change without notice.

