



JOB NAME:

CAT#:

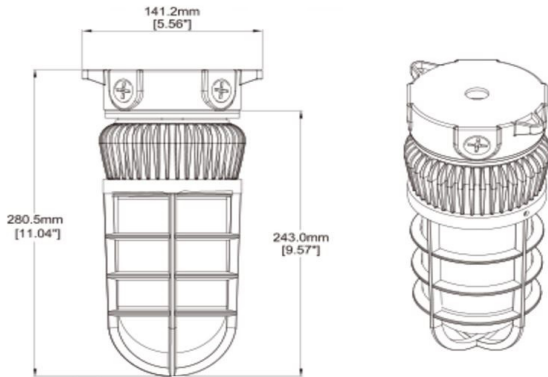
TYPE:

FEATURES & BENEFITS

- Designed for excellent thermal management
- Min CRI 70
- Replaces 120W MH
- Aluminum sand blast finish
- Also available in wall mount. See VPL-WM.
- IP66 ratings
- UL listed for wet locations



DIMENSIONS



ORDERING

EXAMPLE: VPL 14W 40K V1 GG SB CM

| VPL | | 14W | | GG | | SB | |
|------------------|-------------------|--------------------------|--------------------------|----------------------------------|-------------------------|-------------------|------------------------|
| 1. SERIES | Vapor Proof Light | 2. SYSTEM WATTAGE | 14W 14 Watts 1389 Lumens | 3. COLOR TEMP | 40K 4000K 50K 5000K* | 4. VOLTAGE | V1 120V V8 120-277V |
| | | | | 5. MECHANICAL ACCESSORIES | GG Glass Guard | 6. FINISH | |
| | | | | | | SB Sand Blast | |

CM

| | |
|--------------------|------------------|
| 7. MOUNTING | CM Ceiling Mount |
|--------------------|------------------|

*5000K is a custom order requiring a MOQ of 200 pieces.

Dimensions and specifications subject to change without notice.





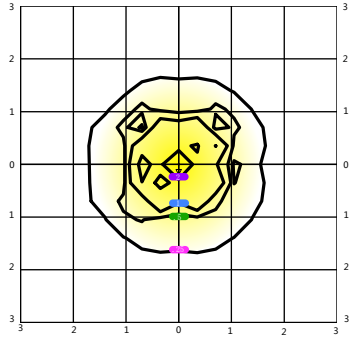
JOB NAME:

CAT#:

TYPE:

PHOTOMETRICS

14W - 10' Mounting Height



Dimensions and specifications subject to change without notice.

