

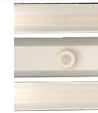
JOB NAME: _____

CAT#: _____

TYPE: _____

APPLICATIONS

Savegreen's Linear High Bay with Integrated Motion Sensor is ideal for wide area lighting from mounting heights up to 20 foot. Ideal for commercial, retail and institutional applications including warehouses, gyms and factory applications. The High Bay features the latest generation in efficient LED arrays and LED drivers. Clear lens protects the LEDs from dirt and other airborne issues without minimizing lighting impact. Fixture includes ten foot white cord and cable hanging kit. Installs easily with no maintenance



Integral Sensor
on all fixtures

FEATURES & BENEFITS

GENERAL

- Offering quality lighting and excellent energy savings compared to linear fluorescent and HID highbay fixtures
- 47.55"L x 14.4"W x 2.87"H (11.76 lbs)

CONSTRUCTION

- Advance thermal management aluminum alloy with powder coated white finish
- Clear diffuser included
- Center hole for prewired motion sensor with rounded white lens

MOUNTING

- Steel wire rope (default included), pendant or surface mounting available

OPTIONS

- Emergency 14 Watt can be added to the fixture for about 1900 Lumens for 90 minutes. Add "EM14" at the end of the item number.

Electrical Connection

- Voltage is 120-277V
- Motion sensor and supports Emergency Battery
- Lumen output 24,500 with efficacy of 136lm/W
- Standard 1-10V dimming available
- Operating temperature is 40°C to 55°C (-40°F to 131°F)

Listing

- UL/cUL damp location and DLC premium qualified
- FCC compliant

Limited Warranty

- Life span of 50,000 hrs.
- 5 year warranty

DIMENSIONS



Dimensions and specifications subject to change without notice.



JOB NAME:

CAT#:

TYPE:

ORDERING

1. SERIES

SVLSSSGB48L180W24500LDMV50K

2. DESCRIPTION

Linear enclosed 4ft. High Bay x 14.4" wide 180 Watts and 24500 Lumens, Multi-volt 120V to 277V, 5000K Motion Sensor, 10ft. White Cord and Cable Kit Included.

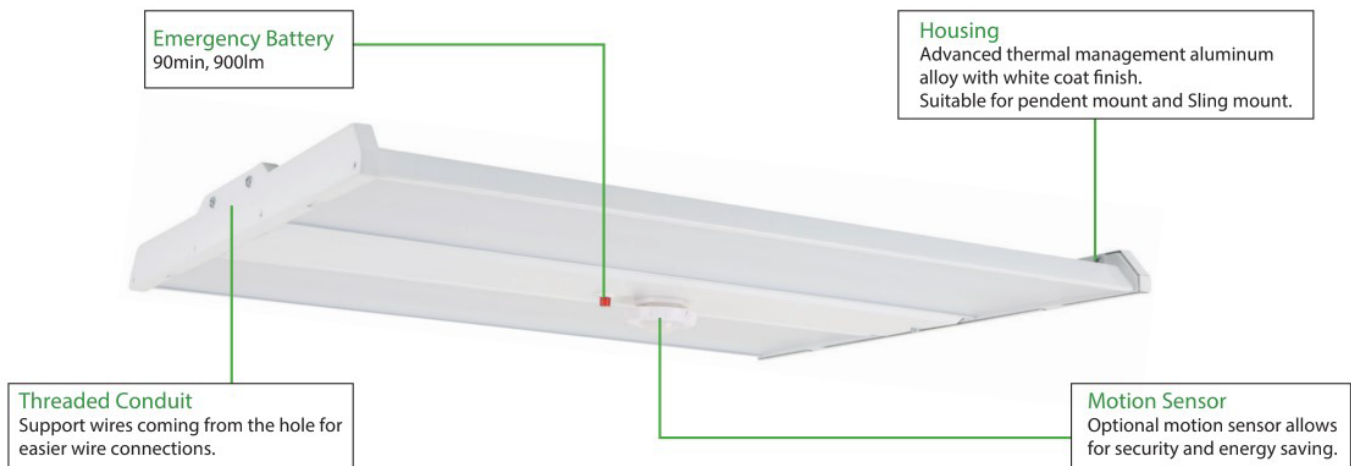
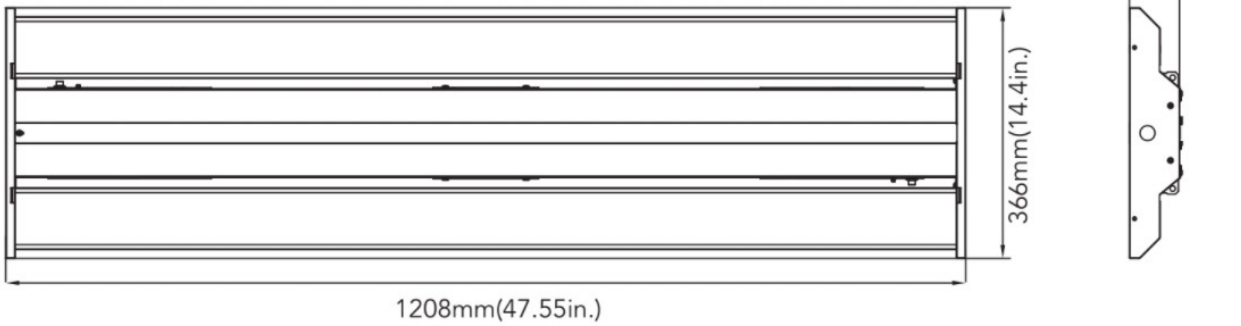
Note: 120 Volt Input - 1.50 Amps
208 Volt Input - .87 Amps
240 Volt Input - .75 Amps
277 Volt Input - .65 Amps

DRAWING

Back

End

130W/180W



Dimensions and specifications subject to change without notice.

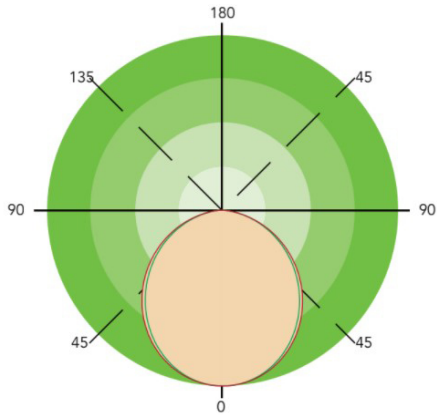


JOB NAME:

CAT#:

TYPE:

PHOTOMETRICS



Dimensions and specifications subject to change without notice.