



JOB NAME:

CAT#:

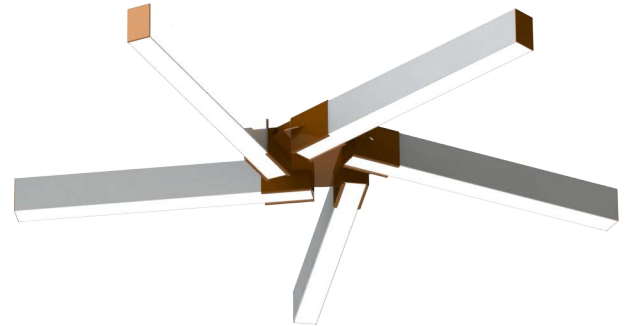
TYPE:

APPLICATIONS

The Fan

Make a statement in your space with a number of configurations of our PGN23 (polygon 2"x3") series hanging luminaire system, including The Fan shown here. Whether developing your own custom pattern of L23 fixtures or choosing from multiple standard patterns, the PGN23 series delivers with elegance and distinction.

To achieve this symmetric, radial configuration, The Fan has been engineered with special brackets for popular L23 fixtures. The Fan casts bright, white and energy efficient illumination. Instantly transform the look and feel of your space with these inventive and refreshing fixtures that are suited for applications in need of both up and down lighting as options.

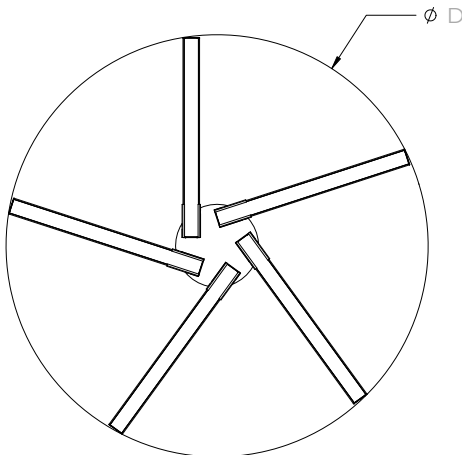
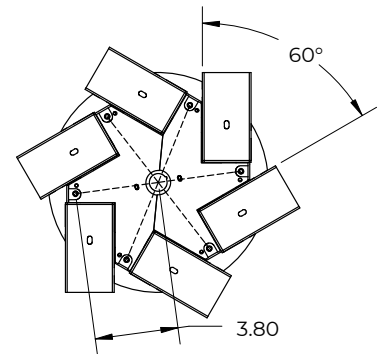
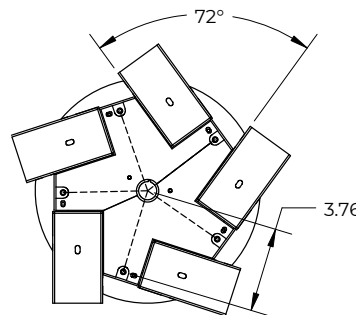
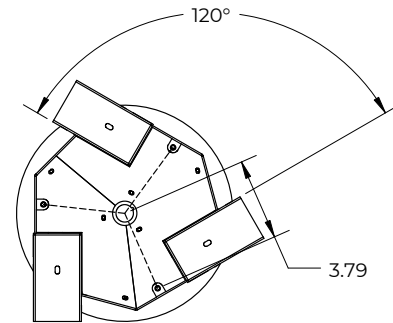


FEATURES & BENEFITS

- 3 standard bracket configurations – 3, 5, and 6 fixtures
- Customizable bracket colors available
- Pendant mount for most ceilings
- Many lumen package / wattage options via programmable drivers
- CRI >80 (90 CRI available)
- >50,000 hrs of L70 LED life
- Power factor >0.90

DIMENSIONS

Part	D	D = Diameter
PGN23-P51	51"	
PGN23-P99	99"	
PGN23-P147	147"	



Dimensions and specifications subject to change without notice.





JOB NAME:

CAT#:

TYPE:

ORDERING

EXAMPLE: PGN23 P 51 LED 60 DMV BK FR 30 RD EM14 -F3

PGN23

P

LED

1. SERIES	2. MOUNTING	3. DIAMETER ¹	4. GEAR	5. DISTRIBUTION	6. WATTAGE/LUMENS ²	7. DRIVER
PGN23	P Pendant	51 51" 99 99" 147 147"	LED	Blank Downlight (std.) 1U2D Uplight and Downlight	Downlight 51 in. 60 60 Watts 6900 Lumens(F3) 100 100 Watts 11500 Lumens(F5) 120 120 Watts 13800 Lumens(F6) 99 in. 120 120 Watts 13800 Lumens(F3) 200 200 Watts 23000 Lumens(F5) 240 240 Watts 27600 Lumens(F6) 147 in. 180 180 Watts 20700 Lumens(F3) 300 300 Watts 34500 Lumens(F5) 360 360 Watts 41400 Lumens(F6) 1 Up and 2 Down Only 51 in. 96 96 Watts 4140U-6900D(F3) 160 160 Watts 6900U-11500D(F5) 192 192 Watts 8280U-13800D(F6) 99 in. 192 192 Watts 8280U-13800D(F3) 320 320 Watts 13800U-23000D(F5) 384 384 Watts 16560U-27600D(F6) 147 in. 288 288 Watts 12420U-20700D(F3) 480 480 Watts 20700U-34500D(F5) 576 576 Watts 28840U-41400D (F6)	DMV 120-277V Multivolt 0-10V Dimmable DMVII 0-10V Dimming Separate drivers for uplight and downlight
8. FINISH ³	9. LENS	10. CRI	11. COLOR TEMP	12. FLAIR ⁴	13. EM (O) ⁵	14. CONFIGURATION
BK Black SI Silver WH White	FR Frosted Acrylic Lens (85% transmission)	Blank 80 9 90	30 3000K 35 3500K 40 4000K 50 5000K	RD Red BL Blue BK Matte Black	EM14 14W Emergency Battery Backup ⁵	-F3 3 Fixture Fan -F5 5 Fixture Fan -F6 6 Fixture Fan

Notes:

¹Fan configurations are measured by an overall system diameter.

²Wattage and lumen values are total for the system. Minimum fixture wattage of 10W. Minimum 5W per fixture foot uplight and downlight. Maximum 7W per fixture foot uplight and 14W per fixture foot downlight. Power feed cable is 18AWG, power drop is required every 800W or 48 feet for 0-10V dimming, whichever comes first.

³Consult for custom finish options

⁴Consult for custom flair options

⁵Emergency battery backup is integrated in fixtures 4' and longer, but is not available in fixtures 4' and shorter if uplight and downlight are used.

⁶(O) is optional

Dimensions and specifications subject to change without notice.



JOB NAME:

CAT#:

TYPE:

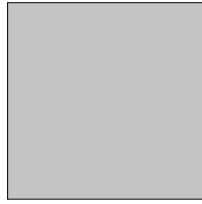
FLAIR BRACKET COLORS AND FINISHES



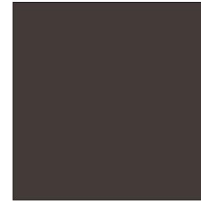
Gloss Black
(GB)



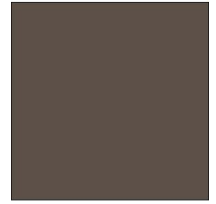
Matte Black
(BK)



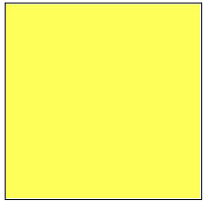
Matte Silver
(SL)



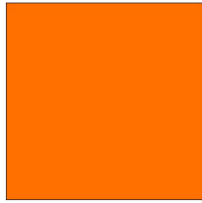
Statuary Bronze
(BZ)



Glimmer (Iron)
(IR)



Safety Yellow
(YL)



Safety Orange
(OR)



Red
(RD)



Fire Engine Red
(FR)



Blue
(BL)

NOTE: Factory offers any Tiger Drylac RAL finish, contact Saylite for more information. Consult factory for information on specialty "real wood" finishes.

Dimensions and specifications subject to change without notice.

JOB NAME:
CAT#:
TYPE:

APPLICATIONS

The Triangle

Make a statement in your space with a number of configurations of our PGN23 (polygon 2"x3") series hanging luminaire system, including The Triangle shown here. Whether developing your own custom pattern of L23 fixtures or choosing from multiple standard patterns, the PGN23 series delivers with elegance and distinction.

To design this equilateral triangle configuration, The Triangle has been specifically engineered with special brackets for popular L23 fixtures. The Triangle provides bright, white and energy efficient illumination with uplight and downlight options. Instantly transform the look and feel of your space with these inventive and refreshing fixtures.



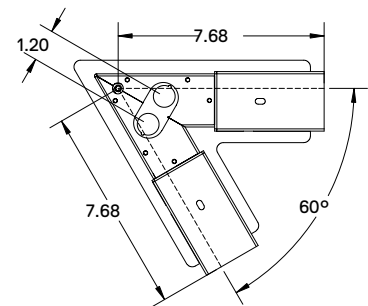
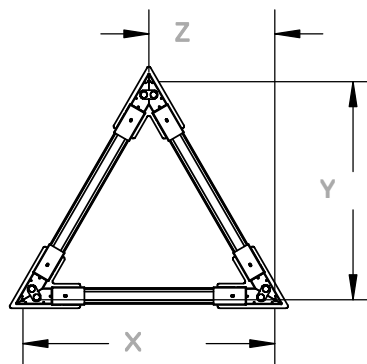
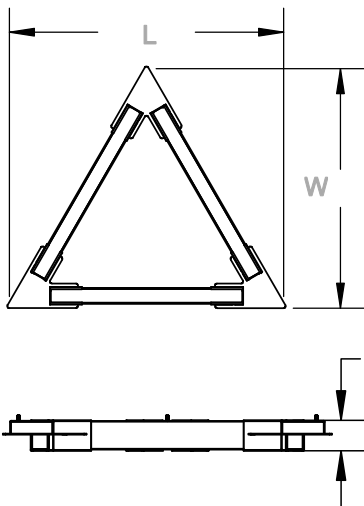
FEATURES & BENEFITS

- 4 standard fixture sizes – 24" , 48" , 72" , and 96"
- Customizable bracket colors available
- Pendant mount for most ceilings
- Many lumen package / wattage options via programmable drivers
- CRI >80 (90 CRI available)
- >50,000 hrs of L70 LED life
- Power factor >0.90

DIMENSIONS

Part	W	L	X	Y	Z
PGN23-P30X35	30"	35"	31"	27"	16"
PGN23-P51X59	51"	59"	55"	48"	28"
PGN23-P72X83	72"	83"	79"	69"	40"
PGN23-P93X107	93"	107"	103"	90"	52"

HANGING KIT ATTACHMENT POINTS



Dimensions and specifications subject to change without notice.





JOB NAME:

CAT#:

TYPE:

ORDERING

EXAMPLE: PGN23-P 51x59 LED 120 DMV BK FR 30 RD EM14 -TR

PGN23 — P

LED

1. SERIES	2. MOUNTING	3. WIDTH X LENGTH ¹	4. GEAR	5. DISTRIBUTION	6. WATTAGE/LUMENS ²	7. DRIVER
PGN23	P Pendant	30X35 30"W x 35"L	LED	Blank Downlight (std.)	60 60 Watts 6900 Lumens	DMV 120-277V Multivolt 0-10V Dimmable
		51X59 51"W x 59"L				
		72X83 72"W x 83"L		180 180 Watts 20700 Lumens	DMV11 0-10V Dimming Separate drivers for uplight and downlight	
		93X107 93"W x 107"L				
					1 Up and 2 Down Only	
					30X35 in.	
					96 96 Watts 4140U-6900D	
					51X59 in.	
					192 192 Watts 8280U-13800D	
					72X83 in.	
					288 288 Watts 12420U-120700D	
					93X107 in.	
					384 384 Watts 16560U-27600D	

8. FINISH ³	9. LENS	10. CRI	11. COLOR TEMP	12. FLAIR ⁴	13. EM (O) ⁵	14. CONFIGURATION
BK Black	FR Frosted Acrylic Lens (85% transmission)	Blank 80	30 3000K	RD Red	EM14 14W Emergency Battery Backup ⁵	-TR Triangle
SI Silver		9 90	35 3500K			
WH White			40 4000K			
			50 5000K	BL Blue		
				BK Matte Black		

Notes:

¹Triangle configurations are measured by an overall system width and length.

²Wattage and lumen values are total for the system. Minimum fixture wattage of 10W. Minimum 5W per fixture foot uplight and downlight. Maximum 7W per fixture foot uplight and 14W per fixture foot downlight. Power feed cable is 18AWG, power drop is required every 800W or 48 feet for 0-10V dimming, whichever comes first.

³Consult for custom finish options

⁴Consult for custom flair options

⁵Emergency battery backup is integrated in fixtures 4' and longer, but is not available in fixtures 4' and shorter if uplight and downlight are used.

⁶(O) is optional

Dimensions and specifications subject to change without notice.



JOB NAME:

CAT#:

TYPE:

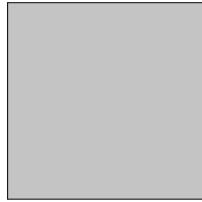
FLAIR BRACKET COLORS AND FINISHES



Gloss Black
(GB)



Matte Black
(BK)



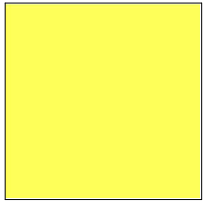
Matte Silver
(SL)



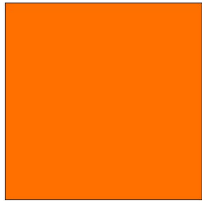
Statuary Bronze
(BZ)



Glimmer (Iron)
(IR)



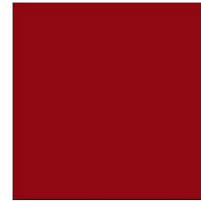
Safety Yellow
(YL)



Safety Orange
(OR)



Red
(RD)



Fire Engine Red
(FR)



Blue
(BL)

NOTE: Factory offers any Tiger Drylac RAL finish, contact Saylite for more information. Consult factory for information on specialty "real wood" finishes.

Dimensions and specifications subject to change without notice.



JOB NAME:

CAT#:

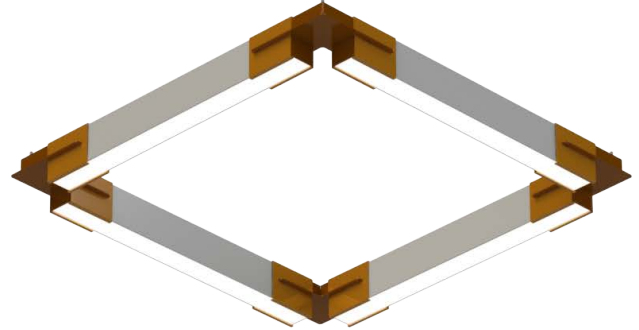
TYPE:

APPLICATIONS

The Square/Rectangle

Make a statement in your space with a number of configurations of our PGN23 (polygon 2"x3") series hanging luminaire system, including The Square/Rectangle shown here. Whether developing your own custom pattern of L23 fixtures or choosing from multiple standard patterns, the PGN23 series delivers with elegance and distinction.

To design square and rectangle configurations, these luminaires have been engineered with special brackets for popular L23 fixtures. The Square/Rectangle provides bright, white and energy efficient illumination with uplight and downlight options. Instantly transform the look and feel of your space with these inventive and refreshing fixtures.

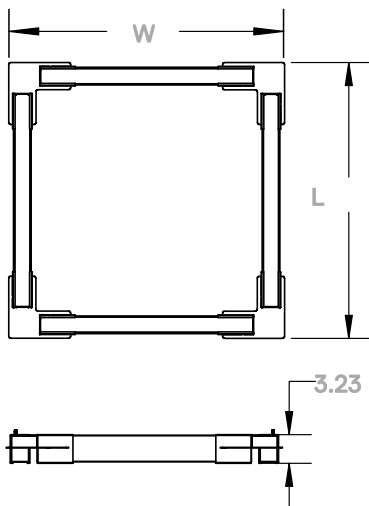


FEATURES & BENEFITS

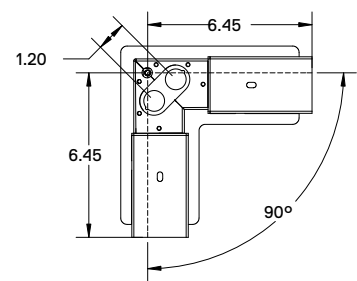
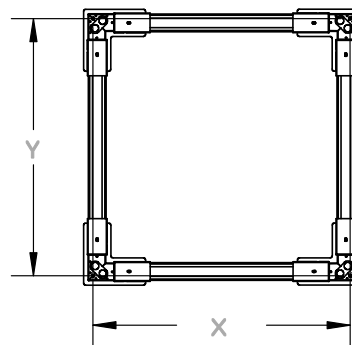
- 4 standard fixture lengths – 24", 48", 72", and 96"
- Customizable bracket colors available
- Pendant mount for most ceilings
- Many lumen package / wattage options via programmable drivers
- CRI >80 (90 CRI available)
- >50,000 hrs of L70 LED life
- Power factor >0.90

DIMENSIONS

Part	W	L	X	Y
PGN23-P32X32	32"	32"	29"	29"
PGN23-P56X56	56"	56"	53"	53"
PGN23-P80X80	80"	80"	77"	77"
PGN23-P104X104	104"	104"	101"	101"



HANGING KIT ATTACHMENT POINTS



Dimensions and specifications subject to change without notice.





JOB NAME:

CAT#:

TYPE:

ORDERING

EXAMPLE: PGN23-P 80X80 LED 240 DMV BK FR 30 RD EM14 -SQ

PGN23 — P

LED

1. SERIES	2. MOUNTING	3. WIDTH X LENGTH ¹	4. GEAR	5. DISTRIBUTION	6. WATTAGE/LUMENS ²	7. DRIVER	
PGN23	P Pendant	32X32 32"W x 32"L	LED	Blank Downlight (std.)	Downlight 32X32 in.	DMV 120-277V Multivolt 0-10V Dimmable	
		56X56 56"W x 56"L					80 80 Watts 9200 Lumens
		80X80 80"W x 80"L					
		104X104 104"W x 104"L					1U2D Uplight and Downlight
		240 240 Watts 27600 Lumens 104X104 in.					
		320 320 Watts 36800 Lumens 1 Up and 2 Down Only 32X32 in.					
		128 128 Watts 5520U-9200D 56X56 in.					
		256 256 Watts 11040U-18400D 80X80 in.					
		384 384 Watts 16560U-27600D 104X10 in.					
		512 512 Watts 22080U-36800D					

8. FINISH ³	9. LENS	10. CRI	11. COLOR TEMP	12. FLAIR ⁴	13. EM (O) ⁵	14. CONFIGURATION
BK Black	FR Frosted Acrylic Lens (85% transmission)	Blank 80	30 3000K	RD Red	EM14 14W Emergency Battery Backup ⁵	-SQ Square -RT Rectangle
SI Silver		9 90	35 3500K			
WH White			40 4000K			
			50 5000K	BL Blue		
				BK Matte Black		

Notes:

¹Square/rectangle configurations are measured by an overall system width and length.

²Wattage and lumen values are total for the system. Minimum fixture wattage of 10W. Minimum 5W per fixture foot uplight and downlight. Maximum 7W per fixture foot uplight and 14W per fixture foot downlight. Power feed cable is 18AWG, power drop is required every 800W or 48 feet for 0-10V dimming, whichever comes first.

³Consult for custom finish options

⁴Consult for custom flair options

⁵Emergency battery backup is integrated in fixtures 4' and longer, but is not available in fixtures 4' and shorter if uplight and downlight are used.

⁶(O) is optional

Dimensions and specifications subject to change without notice.



JOB NAME:

CAT#:

TYPE:

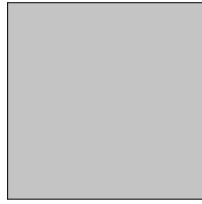
FLAIR BRACKET COLORS AND FINISHES



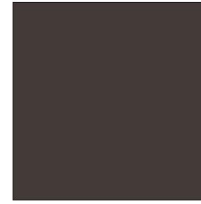
Gloss Black
(GB)



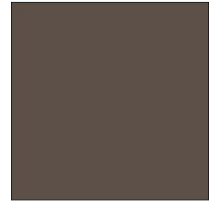
Matte Black
(BK)



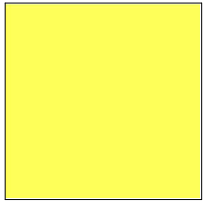
Matte Silver
(SL)



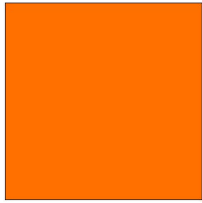
Statuary Bronze
(BZ)



Glimmer (Iron)
(IR)



Safety Yellow
(YL)



Safety Orange
(OR)



Red
(RD)



Fire Engine Red
(FR)



Blue
(BL)

NOTE: Factory offers any Tiger Drylac RAL finish, contact Saylite for more information. Consult factory for information on specialty "real wood" finishes.

Dimensions and specifications subject to change without notice.

JOB NAME:

CAT#:

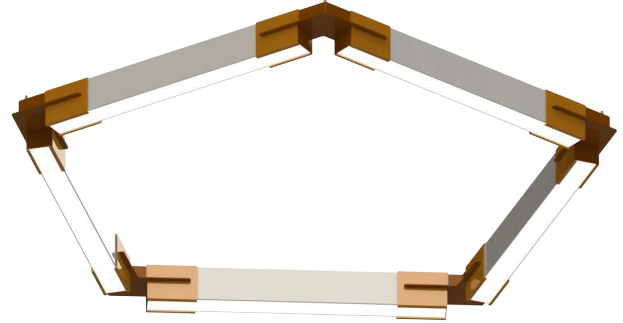
TYPE:

APPLICATIONS

The Pentagon

Make a statement in your space with a number of configurations of our PGN23 (polygon 2"x3") series hanging luminaire system, including The Pentagon shown here. Whether developing your own custom pattern of L23 fixtures or choosing from multiple standard patterns, the PGN23 series delivers with elegance and distinction.

To achieve this symmetric, 5-sided configuration, The Pentagon has been engineered with special brackets for popular L23 fixtures. The Pentagon casts bright, white and energy efficient illumination with uplight and downlight options. Instantly transform the look and feel of your space with these inventive and refreshing fixtures.

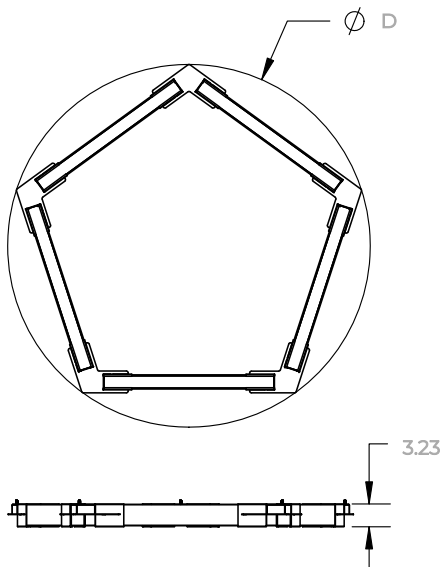


FEATURES & BENEFITS

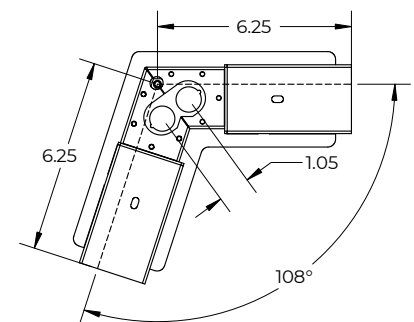
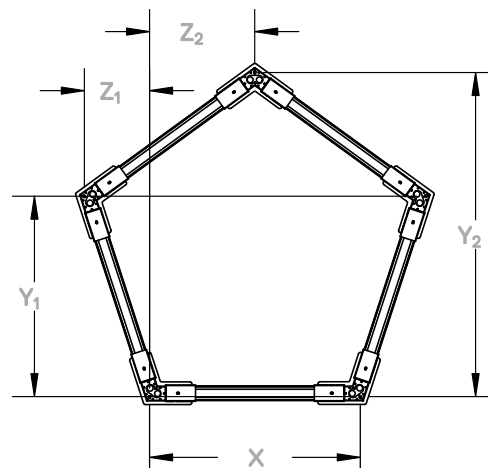
- 4 standard fixture lengths – 24", 48", 72", and 96"
- Customizable bracket colors available
- Pendant mount for most ceilings
- Many lumen package / wattage options via programmable drivers
- CRI >80 (90 CRI available)
- >50,000 hrs of L70 LED life
- Power factor >0.90

DIMENSIONS

Part	D	Y ₁	Y ₂	Z ₁	Z ₂
PGN23-P69	57"	29"	44"	9"	14"
PGN23-P109	92"	53"	81"	16"	26"
PGN23-P157	133"	77"	118"	24"	38"
PGN23-P205	174"	101"	155"	31"	50"



HANGING KIT ATTACHMENT POINTS



Dimensions and specifications subject to change without notice.





JOB NAME:

CAT#:

TYPE:

ORDERING

EXAMPLE: PGN23-P 92 LED 1U2D 320 DMV BK FR 30 RD EM14 -PT

PGN23 — P

LED

1. SERIES	2. MOUNTING	3. DIAMETER ¹	4. GEAR	5. DISTRIBUTION	6. WATTAGE/LUMENS ²	7. DRIVER		
PGN23	P Pendant	57 57"	LED	Blank Downlight (std.)	Downlight 57 in.	DMV 120-277V Multivolt 0-10V Dimmable		
		92 92"					1U2D Uplight and Downlight	100 100 Watts 11500 Lumens
		133 133"						200 200 Watts 23000 Lumens
		174 174"						300 300 Watts 34500 Lumens
		1 Up and 2 Down Only						
		160 160 Watts 6900U-11500D						DMV11 0-10V Dimming Separate drivers for uplight and downlight
		320 320 Watts 13800U-23000D						
		480 480 Watts 20700U-34500D						
		640 640 Watts 27600U-46000D						

8. FINISH ³	9. LENS	10. CRI	11. COLOR TEMP	12. FLAIR ⁴	13. EM (O) ⁵	14. CONFIGURATION
BK Black	FR Frosted Acrylic Lens (85% transmission)	Blank 80	30 3000K	RD Red	EM14 14W Emergency Battery Backup ⁵	-PT Pentagon
SI Silver		9 90	35 3500K	BL Blue		
WH White		40 4000K	50 5000K	BK Matte Black		

Notes:

¹Pentagon configurations are measured by an overall system diameter.

²Wattage and lumen values are total for the system. Minimum fixture wattage of 10W. Minimum 5W per fixture foot uplight and downlight. Maximum 7W per fixture foot uplight and 14W per fixture foot downlight. Power feed cable is 18AWG, power drop is required every 800W or 48 feet for 0-10V dimming, whichever comes first.

³Consult for custom finish options

⁴Consult for custom flair options

⁵Emergency battery backup is integrated in fixtures 4' and longer, but is not available in fixtures 4' and shorter if uplight and downlight are used.

⁶(O) is optional

Dimensions and specifications subject to change without notice.



JOB NAME:

CAT#:

TYPE:

FLAIR BRACKET COLORS AND FINISHES



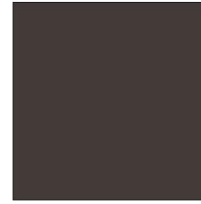
Gloss Black
(GB)



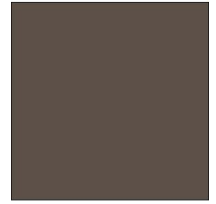
Matte Black
(BK)



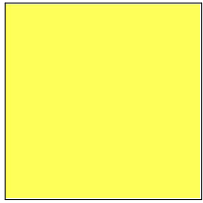
Matte Silver
(SL)



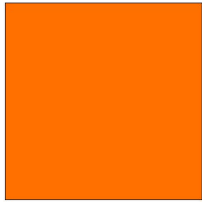
Statuary Bronze
(BZ)



Glimmer (Iron)
(IR)



Safety Yellow
(YL)



Safety Orange
(OR)



Red
(RD)



Fire Engine Red
(FR)



Blue
(BL)

NOTE: Factory offers any Tiger Drylac RAL finish, contact Saylite for more information. Consult factory for information on specialty "real wood" finishes.

Dimensions and specifications subject to change without notice.



JOB NAME:

CAT#:

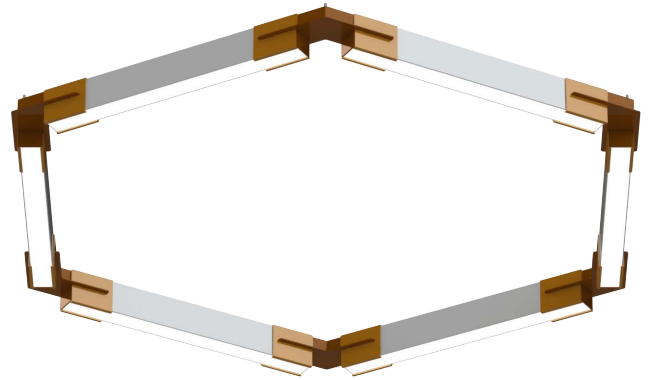
TYPE:

APPLICATIONS

The Hexagon

Make a statement in your space with a number of configurations of our PGN23 (polygon 2"x3") series hanging luminaire system, including The Hexagon shown here. Whether developing your own custom pattern of L23 fixtures or choosing from multiple standard patterns, the PGN23 series delivers with elegance and distinction.

To achieve this symmetric, 6-sided configuration, The Hexagon has been engineered with special brackets for popular L23 fixtures. The Hexagon casts bright, white and energy efficient illumination with uplight and downlight options. Instantly transform the look and feel of your space with these inventive and refreshing fixtures.

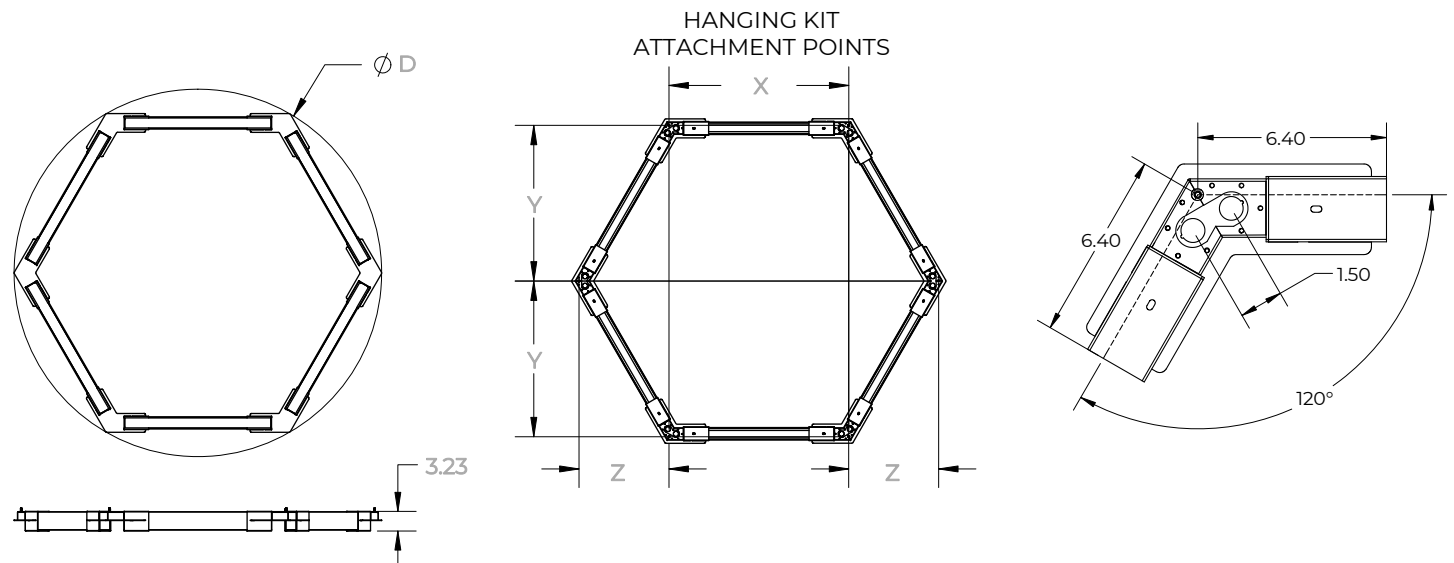


FEATURES & BENEFITS

- 4 standard fixture lengths – 24", 48", 72", and 96"
- Customizable bracket colors available
- Pendant mount for most ceilings
- Many lumen package / wattage options via programmable drivers
- CRI >80 (90 CRI available)
- >50,000 hrs of L70 LED life
- Power factor >0.90

DIMENSIONS

Part	D	X	Y	Z
PGN23-P69	69"	29"	25"	15"
PGN23-P109	109"	53"	46"	27"
PGN23-P157	157"	77"	67"	39"
PGN23-P205	205"	101"	88"	51"



Dimensions and specifications subject to change without notice.





JOB NAME:

CAT#:

TYPE:

ORDERING

EXAMPLE: PGN23 P 157 LED 360 DMV BK FR 30 RD EM14 -HX

PGN23

P

LED

1. SERIES	2. MOUNTING	3. DIAMETER ¹	4. GEAR	5. DISTRIBUTION	6. WATTAGE/LUMENS ²	7. DRIVER	
PGN23	P Pendant	69	69"	LED	Blank Downlight (std.)	Downlight 69 in. 120 120 Watts 13800 Lumens 109 in. 240 240 Watts 27600 Lumens 157 in. 360 360 Watts 41400 Lumens 205 in. 480 400 Watts 55200 Lumens 1 Up and 2 Down Only 69 in. 192 192 Watts 8280U-13800D 109 in. 384 384 Watts 16560U-27600D 157 in. 576 576 Watts 24840U-41400D 205 in. 768 768 Watts 33120U-55200D	DMV 122-277V 0-10V Multivolt Dimmable DMV11 0-10V Dimming Separate drivers for upright and downlight
		109	109"				
		157	157"				
		205	205"				

8. FINISH ³	9. LENS	10. CRI	11. COLOR TEMP	12. FLAIR ⁴	13. EM (O) ⁶	14. CONFIGURATION
BK Black SI Silver WH White	FR Frosted Acrylic Lens (85% transmission)	Blank 80 9 90	30 3000K 35 3500K 40 4000K 50 5000K	RD Red BL Blue BK Matte Black	EM14 14W Emergency Battery Backup ⁵	-HX Hexagon

Notes:

- ¹Hexagon configurations are measured by an overall system diameter.
- ²Wattage and lumen values are total for the system. Minimum fixture wattage of 10W. Minimum 5W per fixture foot upright and downlight. Maximum 7W per fixture foot upright and 14W per fixture foot downlight. Power feed cable is 18AWG, power drop is required every 800W or 48 feet for 0-10V dimming, whichever comes first.
- ³Consult for custom finish options
- ⁴Consult for custom flair options
- ⁵Emergency battery backup is integrated in fixtures 4' and longer, but is not available in fixtures 4' and shorter if upright and downlight are used.
- ⁶(O) is optional

Dimensions and specifications subject to change without notice.



JOB NAME:

CAT#:

TYPE:

FLAIR BRACKET COLORS AND FINISHES



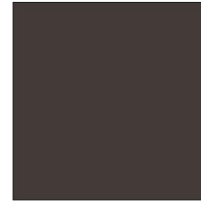
Gloss Black
(GB)



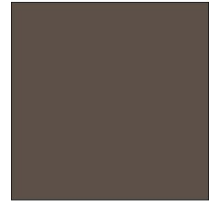
Matte Black
(BK)



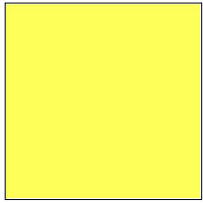
Matte Silver
(SL)



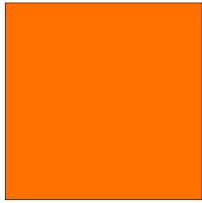
Statuary Bronze
(BZ)



Glimmer (Iron)
(IR)



Safety Yellow
(YL)



Safety Orange
(OR)



Red
(RD)



Fire Engine Red
(FR)



Blue
(BL)

NOTE: Factory offers any Tiger Drylac RAL finish, contact Saylite for more information. Consult factory for information on specialty "real wood" finishes.

Dimensions and specifications subject to change without notice.



JOB NAME:

CAT#:

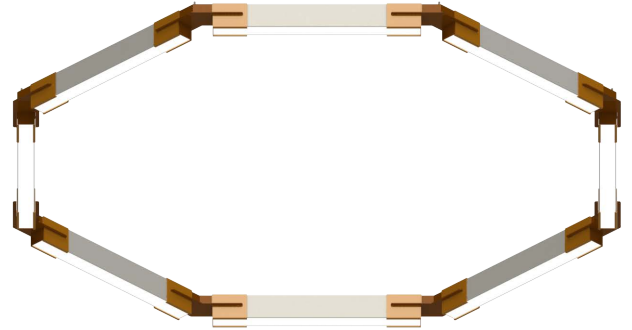
TYPE:

APPLICATIONS

The Octagon

Make a statement in your space with a number of configurations of our PGN23 (polygon 2"x3") series hanging luminaire system, including The Octagon shown here. Whether developing your own custom pattern of L23 fixtures or choosing from multiple standard patterns, the PGN23 series delivers with elegance and distinction.

To achieve this symmetric, 8-sided configuration, The Octagon has been engineered with special brackets for popular L23 fixtures. The Octagon casts bright, white and energy efficient illumination with uplight and downlight options. Instantly transform the look and feel of your space with these inventive and refreshing fixtures.



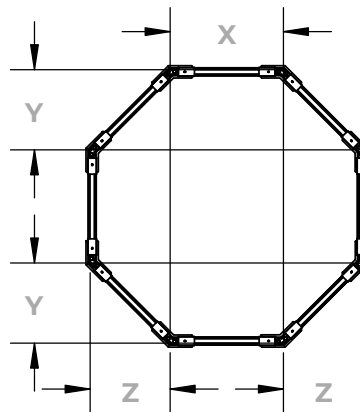
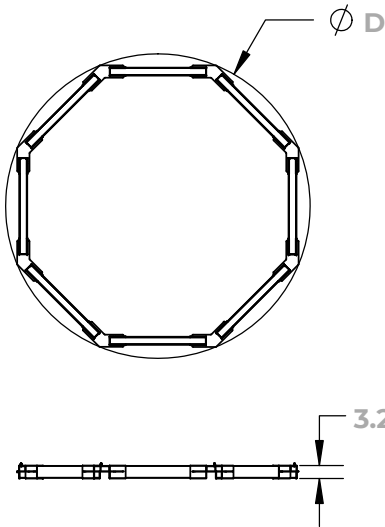
FEATURES & BENEFITS

- 4 standard fixture sizes – 24" , 48" , 72" , and 96"
- Customizable bracket colors available
- Pendant mount for most ceilings
- Many lumen package / wattage options via programmable drivers
- CRI >80 (90 CRI available)
- >50,000 hrs of L70 LED life
- Power factor >0.90

DIMENSIONS

Part	D	X	Y	Z
PGN23-P69	77"	28"	20"	20"
PGN23-P109	203"	52"	37"	37"
PGN23-P157	223"	76"	54"	54"
PGN23-P205	265"	100"	71"	71"

HANGING KIT ATTACHMENT POINTS



Dimensions and specifications subject to change without notice.





JOB NAME:

CAT#:

TYPE:

ORDERING

EXAMPLE: PGN23 P 223 LED 480 DMV BK FR 30 RD EM14-OT

PGN23

P

LED

1. SERIES	2. MOUNTING	3. DIAMETER ¹	4. GEAR	5. DISTRIBUTION	6. WATTAGE/LUMENS ²	7. DRIVER
PGN23	P Pendant	77 77" 203 203" 223 223" 265 265"	LED	Blank Downlight (std.) 1U2D Uplight and Downlight	Downlight 77 in. 160 160 Watts 18400 Lumens 203 in. 320 320 Watts 36800 Lumens 223 in. 480 480 Watts 55200 Lumens 265 in. 640 640 Watts 73600 Lumens 1 Up and 2 Down Only 77 in. 256 256 Watts 11040U-18400D 203 in. 512 512 Watts 22080U-36800D 223 in. 768 768 Watts 33120U-55200D 265 in. 1024 1024 Watts 44160U-73600D	DMV 120-277V Multivolt 0-10V Dimmable DMV11 0-10V Dimming Separate drivers for uplight and downlight

8. FINISH ³	9. LENS	10. CRI	11. COLOR TEMP	12. FLAIR ⁴	13. EM (O) ⁵	14. CONFIGURATION
BK Black SI Silver WH White	FR Frosted Acrylic Lens (85% transmission)	Blank 80 9 90	30 3000K 35 3500K 40 4000K 50 5000K	RD Red BL Blue BK Matte Black	EM14 14W Emergency Battery Backup ⁵	-F3 3 Fixture Fan -F5 5 Fixture Fan -F6 6 Fixture Fan

Notes:

¹Octagon configurations are measured by an overall system diameter.

²Wattage and lumen values are total for the system. Minimum fixture wattage of 10W. Minimum 5W per fixture foot uplight and downlight. Maximum 7W per fixture foot uplight and 14W per fixture foot downlight. Power feed cable is 18AWG, power drop is required every 800W or 48 feet for 0-10V dimming, whichever comes first. Two power drops required when 96" fixtures are used.

³Consult for custom finish options

⁴Consult for custom flair options

⁵Emergency battery backup is integrated in fixtures 4' and longer, but is not available in fixtures 4' and shorter if uplight and downlight are used.

⁶(O) is optional

Dimensions and specifications subject to change without notice.



JOB NAME:

CAT#:

TYPE:

FLAIR BRACKET COLORS AND FINISHES



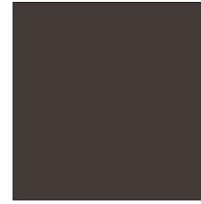
Gloss Black
(GB)



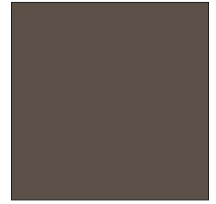
Matte Black
(BK)



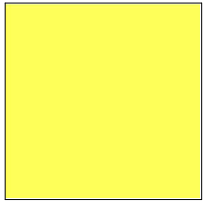
Matte Silver
(SL)



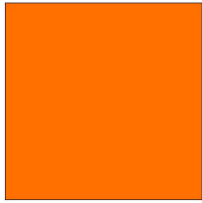
Statuary Bronze
(BZ)



Glimmer (Iron)
(IR)



Safety Yellow
(YL)



Safety Orange
(OR)



Red
(RD)



Fire Engine Red
(FR)



Blue
(BL)

NOTE: Factory offers any Tiger Drylac RAL finish, contact Saylite for more information. Consult factory for information on specialty "real wood" finishes.

Dimensions and specifications subject to change without notice.



JOB NAME:

CAT#:

TYPE:

APPLICATIONS

The Parallel

Make a statement in your space with a number of configurations of our PGN23 (polygon 2"x3") series hanging luminaire system, including The Parallel configuration shown here. Whether developing your own custom pattern of L23 fixtures or choosing from multiple standard patterns, the PGN23 series delivers with elegance and distinction.

The Parallel fixtures have been engineered with special brackets for linear parallel configurations of popular L23 fixtures. The Parallel provides bright, white and energy efficient illumination with uplight and downlight options. Instantly transform the look and feel of your space with these inventive and refreshing fixtures.

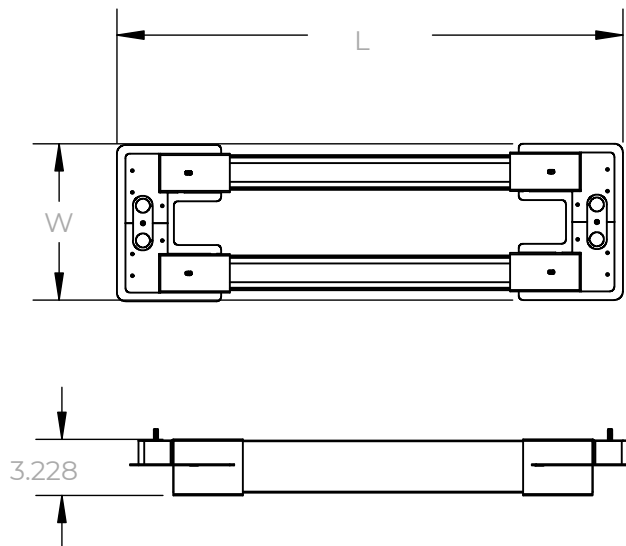


FEATURES & BENEFITS

- 4 standard fixture lengths – 24" , 48" , 72" , and 96"
- Customizable bracket colors available
- Pendant mount for most ceilings
- Many lumen package / wattage options via programmable drivers
- CRI >80 (90 CRI available)
- >50,000 hrs of L70 LED life
- Power factor >0.90

DIMENSIONS

Part	W	L
PGN23-P9X29	9"	29"
PGN23-P9X53	9"	53"
PGN23-P9X77	9"	77"
PGN23-P9X101	9"	101"



Dimensions and specifications subject to change without notice.





JOB NAME:

CAT#:

TYPE:

ORDERING

EXAMPLE: PGN23-P 9X29 LED 40 DMV BK FR 30 RD EM14 -P

PGN23 — P

LED

1. SERIES	2. MOUNTING	3. WIDTH X LENGTH ¹	4. GEAR	5. DISTRIBUTION	6. WATTAGE/LUMENS ²	7. DRIVER
PGN23	P Pendant	9X29 9"W x 29"L	LED	Blank Downlight (std.)	40 40 Watts 9200 Lumens	DMV 120-277V Multivolt 0-10V Dimmable
		9X53 9"W x 53"L				
		9X77 9"W x 77"L				
		9X101 9"W x 101"L				
				1U2D Uplight and Downlight	80 80 Watts 18400 Lumens	DMV11 0-10V Dimming Separate drivers for uplight and downlight
				120 120 Watts 27600 Lumens		
				160 160 Watts 36800 Lumens		
				64 64 Watts 2760U-4600D		
					128 128 Watts 5520U-9200D	
					192 192 Watts 8280U-13800D	
					256 256 Watts 11040U-18400D	

8. FINISH ³	9. LENS	10. CRI	11. COLOR TEMP	12. FLAIR ⁴	13. EM (O) ⁵	14. CONFIGURATION
BK Black	FR Frosted Acrylic Lens (85% transmission)	Blank 80	30 3000K	RD Red	EM14 14W Emergency Battery Backup ⁵	-P Parallel
SI Silver		9 90	35 3500K	BL Blue		
WH White			40 4000K	BK Matte Black		
			50 5000K			

Notes:

- ¹Parallel configurations are measured by an overall system width and length.
- ²Wattage and lumen values are total for the system. Minimum fixture wattage of 10W. Minimum 5W per fixture foot uplight and downlight. Maximum 7W per fixture foot uplight and 14W per fixture foot downlight. Power feed cable is 18AWG, power drop is required every 800W or 48 feet for 0-10V dimming, whichever comes first.
- ³Consult for custom finish options
- ⁴Consult for custom flair options
- ⁵Emergency battery backup is integrated in fixtures 4' and longer, but is not available in fixtures 4' and shorter if uplight and downlight are used.
- ⁶(O) is optional

Dimensions and specifications subject to change without notice.



JOB NAME:

CAT#:

TYPE:

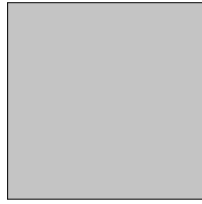
FLAIR BRACKET COLORS AND FINISHES



Gloss Black
(GB)



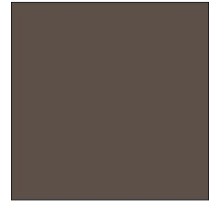
Matte Black
(BK)



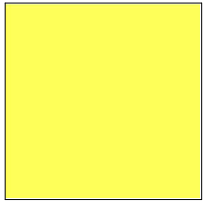
Matte Silver
(SL)



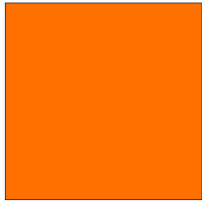
Statuary Bronze
(BZ)



Glimmer (Iron)
(IR)



Safety Yellow
(YL)



Safety Orange
(OR)



Red
(RD)



Fire Engine Red
(FR)



Blue
(BL)

NOTE: Factory offers any Tiger Drylac RAL finish, contact Saylite for more information. Consult factory for information on specialty "real wood" finishes.

Dimensions and specifications subject to change without notice.



JOB NAME:

CAT#:

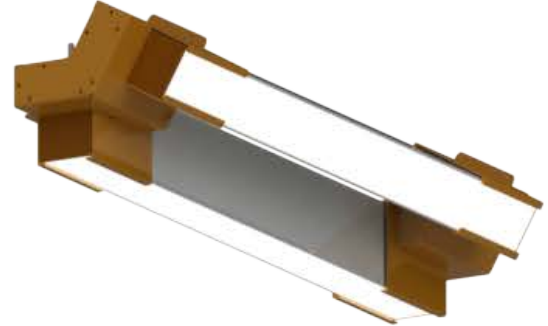
TYPE:

APPLICATIONS

The Wall Wash

Make a statement in your space with a number of configurations of our PGN23 (polygon 2"x3") series hanging luminaire system, including The Wall Wash shown here. Whether developing your own custom pattern of L23 fixtures or choosing from multiple standard patterns, the PGN23 series delivers with elegance and distinction.

To achieve this 2-angled configuration, The Wall Wash has been engineered with special brackets for popular L23 fixtures. It casts bright, white and energy efficient illumination. Instantly transform the look and feel of your space with these inventive and refreshing fixtures.

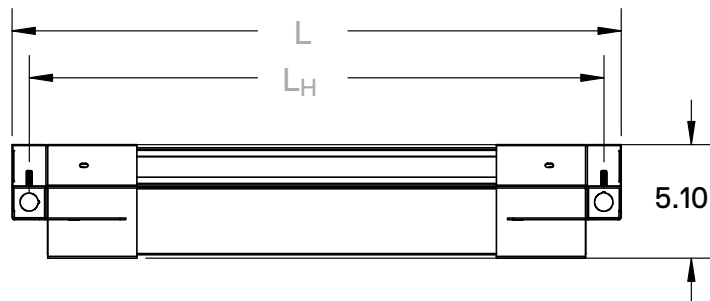
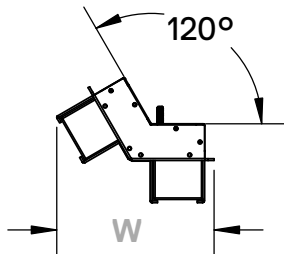


FEATURES & BENEFITS

- 4 standard fixture lengths – 24", 48", 72", and 96"
- Customizable bracket colors available
- Pendant mount for most ceilings
- Many lumen package / wattage options via programmable drivers
- CRI >80 (90 CRI available)
- >50,000 hrs of L70 LED life
- Power factor >0.90

DIMENSIONS

Part	W	L	L _H
PGN23-P32X32	6"	27"	26"
PGN23-P56X56	6"	51"	50"
PGN23-P80X80	6"	75"	74"
PGN23-P104X104	6"	99"	98"



Consult factory for different angle options.

Dimensions and specifications subject to change without notice.





JOB NAME:

CAT#:

TYPE:

ORDERING

EXAMPLE: PGN23-P 6X27 LED 40 DMV BK FR 30 RD EM14 -WW

PGN23 — P

LED

1. SERIES	2. MOUNTING	3. WIDTH X LENGTH ¹	4. GEAR	5. DISTRIBUTION	6. WATTAGE/LUMENS ²	7. DRIVER
PGN23	P Pendant	6X27 6"W x 27"L	LED	Blank Downlight (std.)	Downlight 32X32 in.	DMV 120-277V Multivolt 0-10V Dimmable
		6X51 6"W x 51"L				
		6X75 6"W x 75"L				
		6X99 6"W x 99"L				
			1U2D Uplight and Downlight	40 40 Watts 9200 Lumens 55X56 in.		
				80 80 Watts 18400 Lumens 80X80 in.		
				120 120 Watts 27600 Lumens 104X104 in.	DMV11 0-10V Dimming Separate drivers for uplight and downlight	
				160 160 Watts 36800 Lumens 1 Up and 2 Down Only 32X32 in.		
				52 64 Watts 1380U-4600D 56X56 in.		
				104 128 Watts 2760U-9200D 80X80 in.		
				156 192 Watts 4140U-13800D 104X10 in.		
				208 256 Watts 5520U-18400D		

8. FINISH ³	9. LENS	10. CRI	11. COLOR TEMP	12. FLAIR ⁴	13. EM (O) ⁵	14. CONFIGURATION
BK Black	FR Frosted Acrylic Lens (85% transmission)	Blank 80	30 3000K	RD Red	EM14 14W Emergency Battery Backup ⁵	-WW Wall Wash
SI Silver		9 90	35 3500K	BL Blue		
WH White			40 4000K	BK Matte Black		
			50 5000K			

Notes:

- ¹Wall wash configurations are measured by an overall system width and length.
- ²Wattage and lumen values are total for the system. Uplight available on vertical fixture only. Minimum fixture wattage of 10W. Minimum 5W per fixture foot uplight and downlight. Maximum 7W per fixture foot uplight and 14W per fixture foot downlight. Power feed cable is 18AWG, power drop is required every 800W or 48 feet for 0-10V dimming, whichever comes first.
- ³Consult for custom finish options
- ⁴Consult for custom flair options
- ⁵Emergency battery backup is integrated in fixtures 4' and longer, but is not available in fixtures 4' and shorter if uplight and downlight are used.
- ⁶(O) is optional

Dimensions and specifications subject to change without notice.



JOB NAME:

CAT#:

TYPE:

FLAIR BRACKET COLORS AND FINISHES



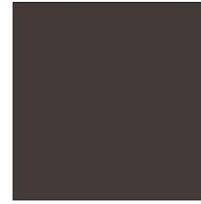
Gloss Black
(GB)



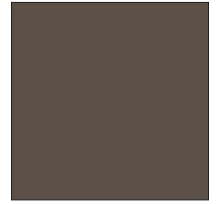
Matte Black
(BK)



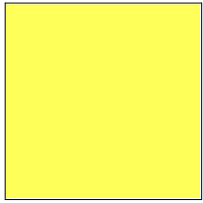
Matte Silver
(SL)



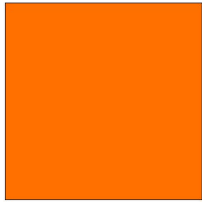
Statuary Bronze
(BZ)



Glimmer (Iron)
(IR)



Safety Yellow
(YL)



Safety Orange
(OR)



Red
(RD)



Fire Engine Red
(FR)



Blue
(BL)

NOTE: Factory offers any Tiger Drylac RAL finish, contact Saylite for more information. Consult factory for information on specialty "real wood" finishes.

Dimensions and specifications subject to change without notice.



JOB NAME:

CAT#:

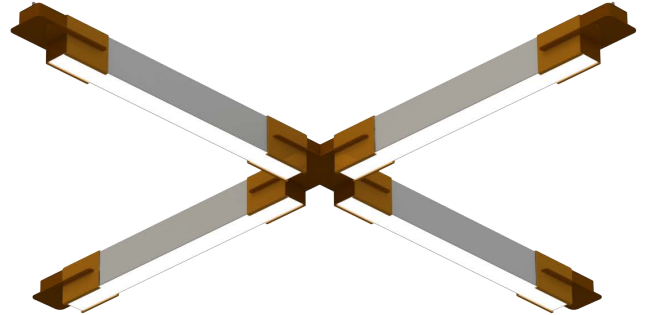
TYPE:

APPLICATIONS

The Cross

Make a statement in your space with a number of configurations of our PGN23 (polygon 2"x3") series hanging luminaire system, including The Cross shown here. Whether developing your own custom pattern of L23 fixtures or choosing from multiple standard patterns, the PGN23 series delivers with elegance and distinction.

To achieve this X-shaped configuration, The Cross has been engineered with special brackets for popular L23 fixtures. The Cross casts bright, white and energy efficient illumination.. Instantly transform the look and feel of your space with these inventive and refreshing fixtures.

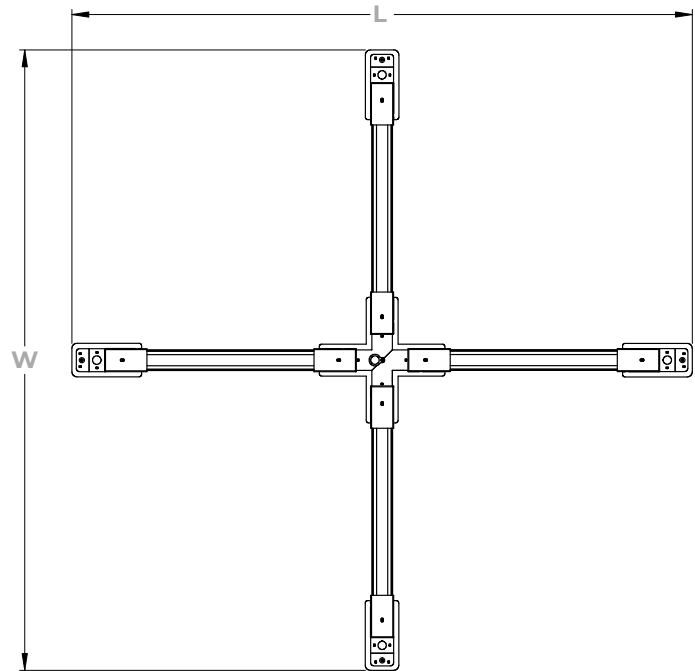


FEATURES & BENEFITS

- 4 standard fixture lengths – 24" , 48" , 72" , and 96"
- Customizable bracket colors available
- Pendant mount for most ceilings
- Many lumen package / wattage options via programmable drivers
- CRI >80 (90 CRI available)
- >50,000 hrs of L70 LED life
- Power factor >0.90

DIMENSIONS

Part	W	L
PGN23-P60X60	60"	60"
PGN23-P108X108	108"	108"
PGN23-P156X156	156"	156"
PGN23-P204X204	204"	204"



Dimensions and specifications subject to change without notice.





JOB NAME:

CAT#:

TYPE:

ORDERING

EXAMPLE: PGN23 P 60X60 LED 240 DMV BK FR 30 RD EM14 -CR

PGN23

P

LED

1. SERIES	2. MOUNTING	3. WIDTH X LENGTH ¹	4. GEAR	5. DISTRIBUTION	6. WATTAGE/LUMENS ²	7. DRIVER
PGN23	P Pendant	60X60 60"W x 60"L 108X108 108"W x 108"L 156X156 156"W x 156"L 204X204 204"W x 204"L	LED	Blank Downlight (std.) 1U2D Uplight and Downlight	Downlight 60X60 in. 80 80 Watts 9200 Lumens 108X108 in. 160 160 Watts 18400 Lumens 156X156 in. 240 240 Watts 27600 Lumens 204X204 in. 320 320 Watts 36800 Lumens 1 Up and 2 Down Only 60X60 in. 128 128 Watts 5520U-9200D 108X108 in. 256 256 Watts 11040U-18400D 156X156 in. 384 384 Watts 16560U-27600D 204X204 in. 512 512 Watts 22080U-36800D	DMV 120-277V Multivolt 0-10V Dimmable DMV11 0-10V Dimming Separate drivers for uplight and downlight

8. FINISH ³	9. LENS	10. CRI	11. COLOR TEMP	12. FLAIR ⁴	13. EM (O) ⁶	14. CONFIGURATION
BK Black SI Silver WH White	FR Frosted Acrylic Lens (85% transmission)	Blank 80 9 90	30 3000K 35 3500K 40 4000K 50 5000K	RD Red BL Blue BK Matte Black	EM14 14W Emergency Battery Backup ⁵	-CR Cross

Notes:

- ¹Cross configurations are measured by an overall system width and length.
- ²Wattage and lumen values are total for the system. Minimum fixture wattage of 10W. Minimum 5W per fixture foot uplight and downlight. Maximum 7W per fixture foot uplight and 14W per fixture foot downlight. Power feed cable is 18AWG, power drop is required every 800W or 48 feet for 0-10V dimming, whichever comes first.
- ³Consult for custom finish options
- ⁴Consult for custom flair options
- ⁵Emergency battery backup is integrated in fixtures 4' and longer, but is not available in fixtures 4' and shorter if uplight and downlight are used.
- ⁶(O) is optional

Dimensions and specifications subject to change without notice.



JOB NAME:

CAT#:

TYPE:

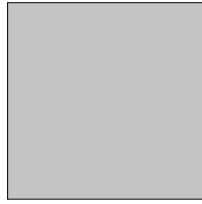
FLAIR BRACKET COLORS AND FINISHES



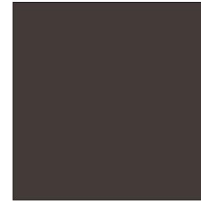
Gloss Black
(GB)



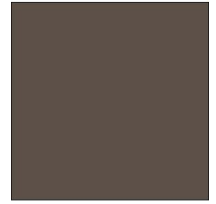
Matte Black
(BK)



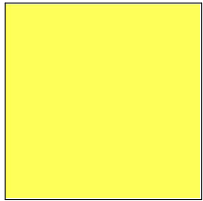
Matte Silver
(SL)



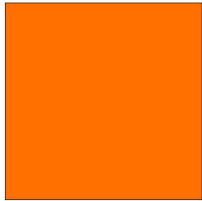
Statuary Bronze
(BZ)



Glimmer (Iron)
(IR)



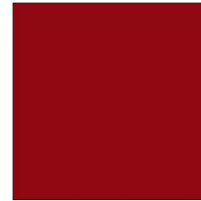
Safety Yellow
(YL)



Safety Orange
(OR)



Red
(RD)



Fire Engine Red
(FR)



Blue
(BL)

NOTE: Factory offers any Tiger Drylac RAL finish, contact Saylite for more information. Consult factory for information on specialty "real wood" finishes.

Dimensions and specifications subject to change without notice.



JOB NAME:

CAT#:

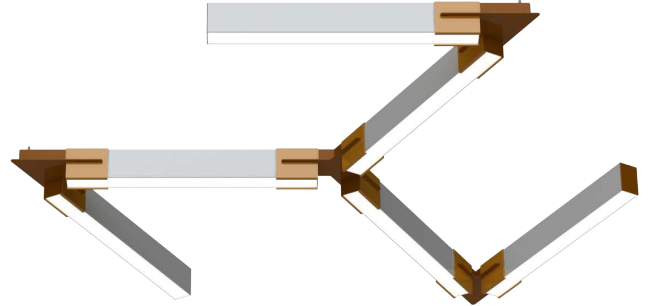
TYPE:

APPLICATIONS

Custom

Make a statement in your space with a number of configurations of our PGN23 (polygon 2"x3") series hanging luminaire system, including custom ones of your own making. Whether developing your own custom pattern of L23 fixtures or choosing from multiple standard patterns, the PGN23 series delivers with elegance and distinction.

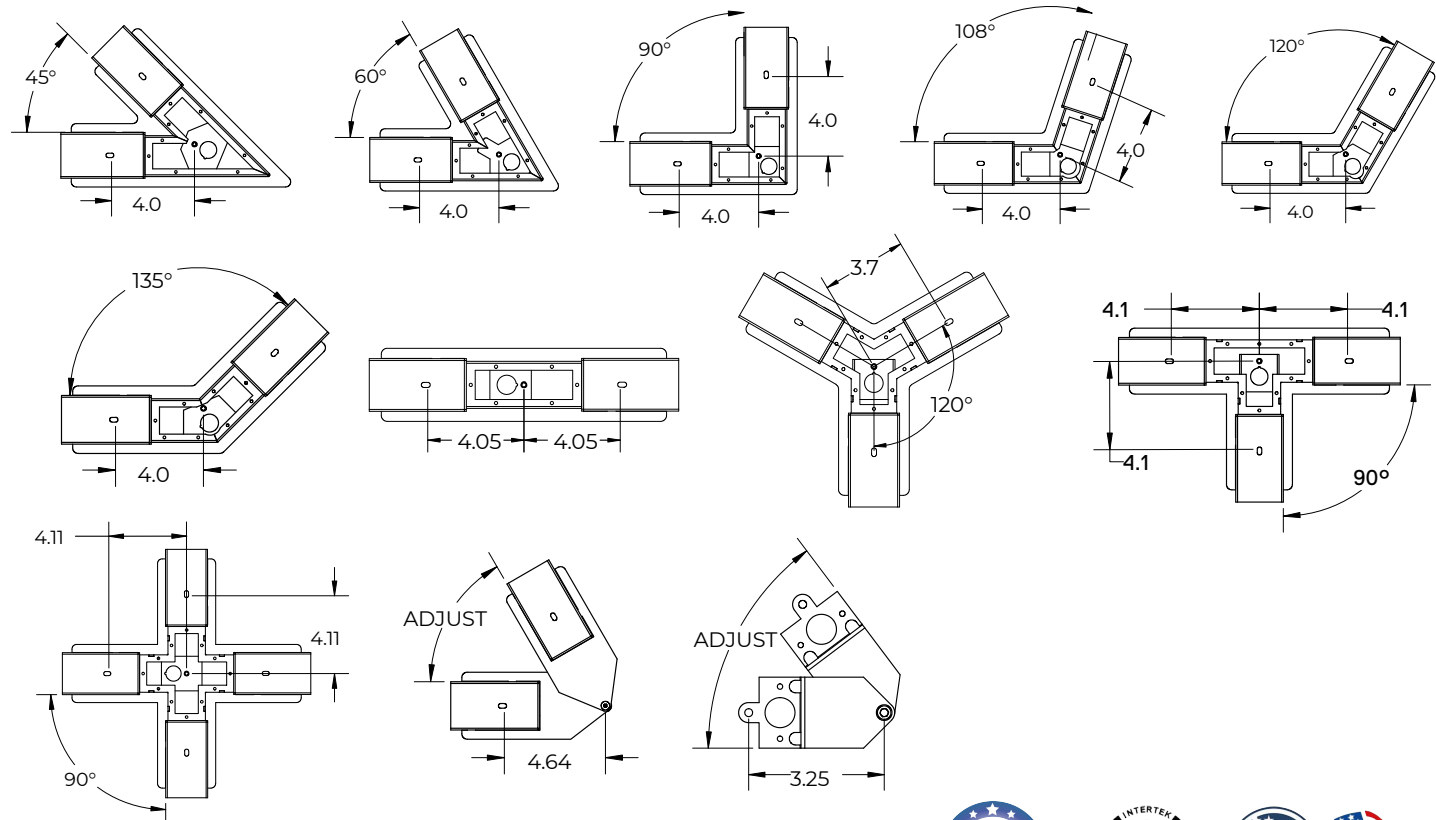
Custom Polygon Series options are achievable via brackets that can be set to nearly any angle, for almost infinite possibilities adjoining L23 fixtures in creative ways. These fixtures cast uplight and downlight for bright and efficient illumination. Get inventive to make your space your own.



FEATURES & BENEFITS

- 4 standard fixture sizes – 24", 48", 72", and 96"
- Customizable bracket colors available
- Pendant mount for most ceilings
- Many lumen package / wattage options via programmable drivers
- CRI >80 (90 CRI available)
- >50,000 hrs of L70 LED life
- Power factor >0.90

BRACKET DIMENSIONS



Dimensions and specifications subject to change without notice.



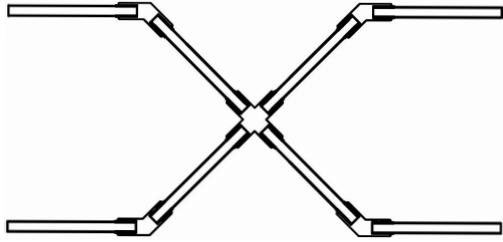


JOB NAME:

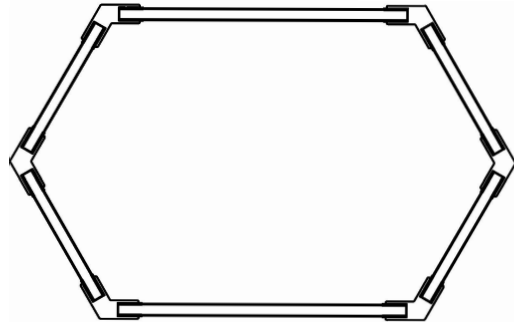
CAT#:

TYPE:

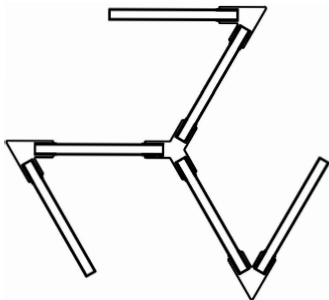
CUSTOM CONFIGURATION PATTERNS



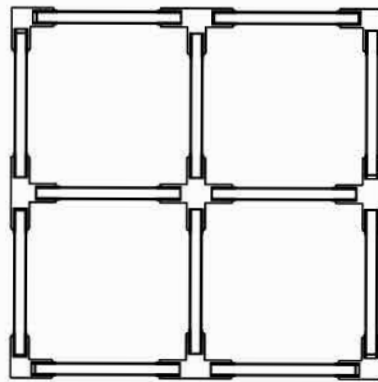
01 - Extend



02 - Expanded Hex



03 - Isle



04 - Pane

***NOTE:** These patterns represent only a handful of patterns that can be made using the PGN23 system. Contact a Mobern representative for more information about creating your unique pattern.

Dimensions and specifications subject to change without notice.



JOB NAME:

CAT#:

TYPE:

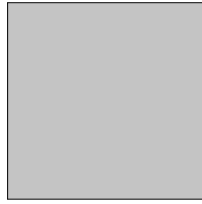
FLAIR BRACKET COLORS AND FINISHES



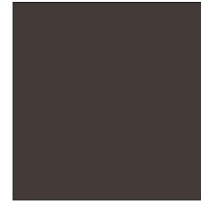
Gloss Black
(GB)



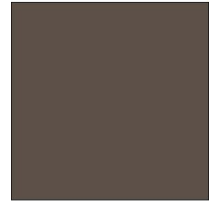
Matte Black
(BK)



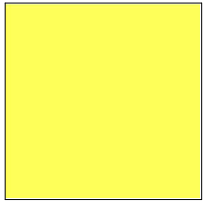
Matte Silver
(SL)



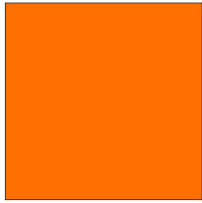
Statuary Bronze
(BZ)



Glimmer (Iron)
(IR)



Safety Yellow
(YL)



Safety Orange
(OR)



Red
(RD)



Fire Engine Red
(FR)



Blue
(BL)

NOTE: Factory offers any Tiger Drylac RAL finish, contact Saylite for more information. Consult factory for information on specialty "real wood" finishes.

Dimensions and specifications subject to change without notice.