



JOB NAME:

CAT#:

TYPE:

### APPLICATIONS

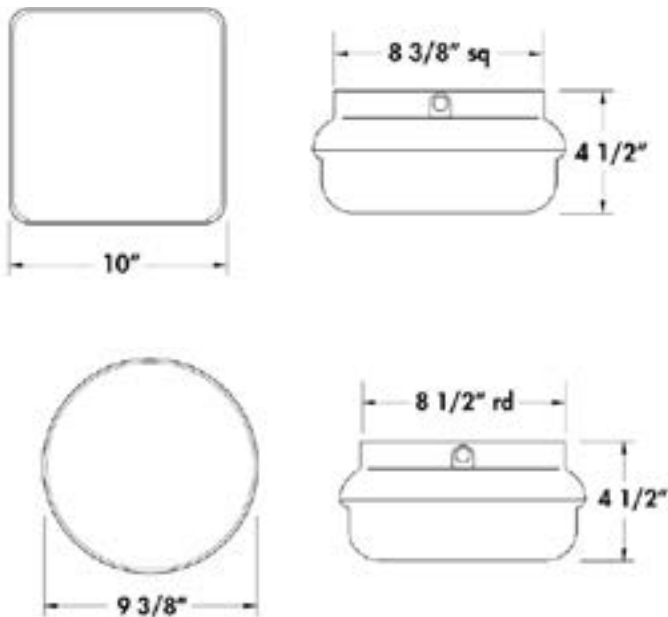
This versatile LED all weather, wet location fixture is available standard with black polycarbonate base with a white polycarbonate lens (optional with a white base and frosted prismatic diffuser). Also available with motion sensor.

### FEATURES & BENEFITS

- Available in black or white with white or frosted prismatic polycarbonate lenses
- Molded of durable non-corrosive UV resistant resins
- High power factor
- <sup>c</sup>UL<sub>us</sub> listed for wet locations
- 3 year warranty for MV and INC w/ lamp
- 5 year warranty for LED dimmable 120V  
Ambient temperature -40°C - +40°C
- Wall or ceiling mount



### DIMENSIONS



Dimensions and specifications subject to change without notice.





**JOB NAME:**

**CAT#:**

**TYPE:**

**ORDERING**

EXAMPLE: FK391 LE800 W W F M

**LE800**

1. STYLE	2. LIGHT SOURCE	3. COLOR TEMP	4. BODY	5. DIFFUSER	6. EMERGENCY (O) <sup>1</sup>
<b>FK391</b> Circular	<b>LE800</b> 13W Power Input, CRI 80 (TYP) >88 Lumens Per Watt	<b>W</b> 3000K	<b>W</b> White	<b>F</b> Frosted	<b>EB</b> Emergency Backup
<b>FK395</b> Square	<b>LE1200</b> 14W Power Input, CRI 80 (TYP) >120 Lumens Per Watt	<b>C</b> 4000K	<b>B</b> Black	<b>F</b> Prismatic	
	<b>LE1800</b> 22W Power Input, CRI 80 (TYP) >88 Lumens Per Watt			<b>W</b> White	
	<b>L1800</b> 22W Power Input, CRI 74 (TYP) >82 Lumens Per Watt, 120-277V Non Dimmable				

**7. SENSOR (O)<sup>1</sup>**

**M** Motion Sensor

**ORDERING (INCANDESCENT)**

EXAMPLE: FK391 I240 W F LWE

**I240**

1. STYLE	2. LIGHT SOURCE	3. BODY	4. DIFFUSER	5. LAMPING (O) <sup>1</sup>
<b>FK391</b> Circular	<b>I240</b> 2 X 40W Max	<b>W</b> White	<b>F</b> Frosted <b>F</b> Prismatic	<b>LWE</b> A19/E26, 3000K
<b>FK395</b> Square		<b>B</b> Black		<b>LCE</b> A19/E26, 4000K
			<b>W</b> White	

**Notes:**

<sup>1</sup>(O) is optional

Dimensions and specifications subject to change without notice.

