



JOB NAME:

CAT#:

TYPE:

APPLICATIONS

The CSLS-LED linear spread fixture is ideal for open offices or any place where low glare, comfortable lighting is required. It is especially good for applications where a lot of monitors are in use. Fixtures can be used individually or joined for a continuous run. The connections between the housings are made by means of a concealed locking mechanism that provides a hairline joint in continuous row applications. The housing can be customized by specifying perforations on the bottom sides parallel to the center slot, perforations on the top sides, or both. You design the look you want to achieve!



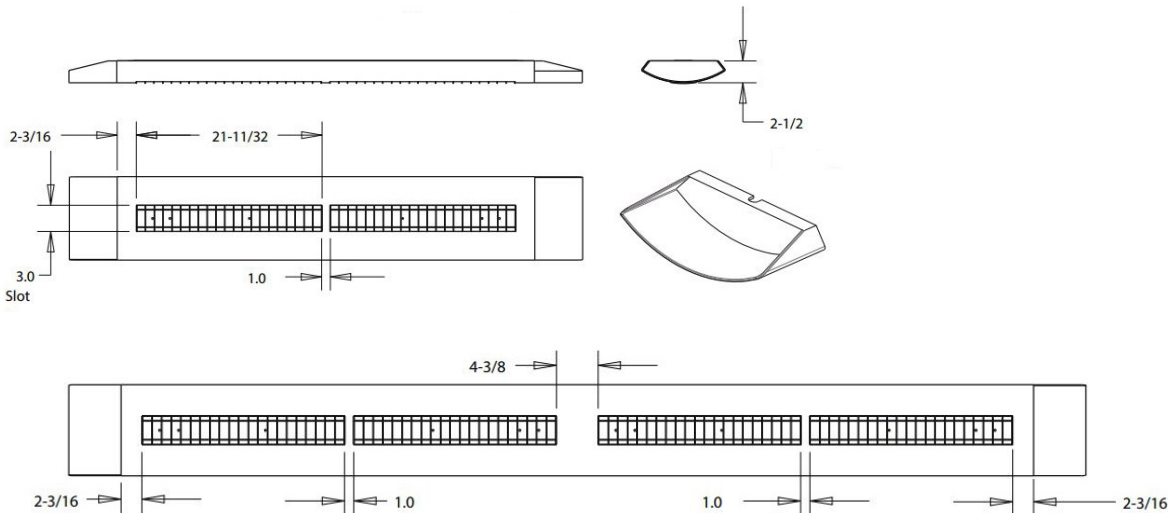
FEATURES & BENEFITS

- Indirect/direct light. Indirect is 70% and direct is 30%
- Direct component is controlled by 3" wide semi-specular aluminum baffles with standard or opaque overlay
- All reflectors necessary for performance are supplied standard
- Highest quality long life LED
- Double the life expectancy of fluorescent technology
- 5 year warranty

DIMENSIONS

4ft. - 9^{5/8}"W x 48"L x 2^{1/2}"H

8ft. - 9^{5/8}"W x 96"L x 2^{1/2}"H



Dimensions and specifications subject to change without notice.





JOB NAME:

CAT#:

TYPE:

ORDERING

EXAMPLE: CSLS MW S 48 LED 48 MV WH 30 EM H4W3 P11

| CSLS | | | LED | | | | | DRIVER | | | |
|--|-----------------------|---------------------|-------------------|------------|---|--------------------------------|--------------------------------------|----------------------------------|--|-----------------------------------|--|
| 1. SERIES | 2. CENTER BODY | 3. SIDE BODY | 4. LENGTH | 5. GEAR | 6. DISTRIBUTION | 7. WATTAGE/LUMENS | | 8. DRIVER | | | |
| CSLS LED Linear Spread Light | MW Matte White | S Solid | 48 48 inch | LED | (Blank) Downlight Only 2U1D 2/3 Uplight by wattage 1/3 Downlight by wattage | <u>4 ft.</u> | | MV 120-277VAC | SDMV Step Dimming 120-277VAC 100%-40% | | |
| | LV Louver | P Perforated | 96 96 inch | | | 48 48 Watts 4000 Lumens | 57 57 Watts 4500 Lumens | 72 72 Watts 5700 Lumens | | 85 85 Watts 6550 Lumens | |
| | | | | | | | <u>8 ft.</u> | | | | |
| | | | | | | | 97 97 Watts 7900 Lumens | 114 114 Watts 8950 Lumens | | 144 144 Watts 11500 Lumens | |
| | | | | | | | <u>4 ft. Up and Downlight</u> | | | | |
| | | | | | | | 36 36 Watts 2400U-1200D | 54 54 Watts 3600U-1800D | | | |
| | | | | | | | <u>8 ft. Up and Downlight</u> | | | | |
| | | | | | | | 72 72 Watts 4800U-2400D | 108 108 Watts 7200U-3600D | | | |
| | | | | | | | | | | | |
| | | | | | | | | | | | |

| 9. FINISH | 10. COLOR TEMP | 11. EM(O) ¹ | 12. HANGING KIT(O) ¹ | 13. PLUG IN OPTIONS(O) ¹ | 14. CONFIGURATION(O) ¹ |
|---------------------------|-----------------|--|---|--|-----------------------------------|
| WH White (std.) | 30 3000K | EM Emergency Battery Backup 500 Lumens | H4W3 HC301 Cable kit with 4' cable & power feed. Cable incl.w/white canopy (3 wire) *non-dimming | PI1 3 wire harness, including white, black and green | Blank Individual |
| SL Metallic Silver | 35 3500K | EM14 Emergency Battery Backup 1400 Lumens | H12W3 HC302 Cable kit with 12' cable & power feed. Cable incl. w/white canopy (3 wire) *non-dimming | PI2 4 wire harness, including white, black, green and blue for emergency battery backup | -B Beginner Run |
| RD Red | 40 4000K | | H4W5 HC301 Cable kit with 4' cable & power feed 0-10V Dimming. Cable incl. w/white canopy (5 wire) | PI3D 5 wire harness, including white, black, green, violet and gray | -E Ender Run |
| IN Iron | 50 5000K | | H12W5 HC302 Cable kit with 12' cable & power feed 0-10V Dimming. Cable incl. w/white canopy (5 wire) | | -J Joiner |
| BK Black | | | | | |
| BZ Bronze | | | | | |

NOTES:

¹O is optional



Dimensions and specifications subject to change without notice.