



JOB NAME:

CAT#:

TYPE:

APPLICATIONS

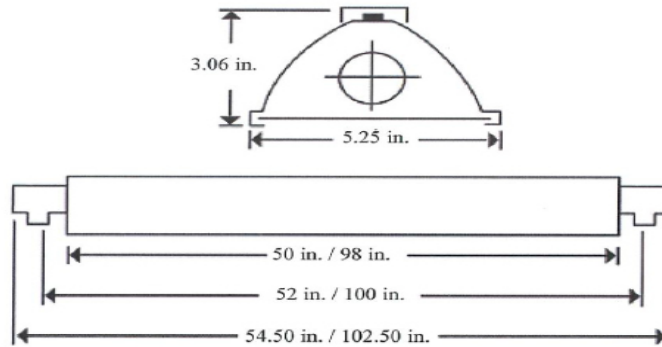
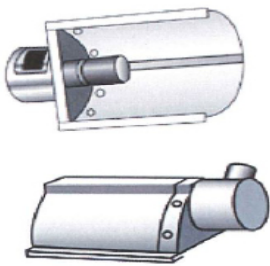
Specification grade fixture, sealed aluminum extrusion with lens for outdoor applications. The AOD series is a durable fixture used in both parking and commercial / retail outdoor areas for sign and walkway lighting.

FEATURES & BENEFITS

- 5.25W" x 3.06H" inches
- Min CRI 82
- Available in 48 and 96 inch nominal lengths.
- Aluminum extrusion with white interior and cast aluminum end plates.
- Smooth, clear acrylic diffuser/lens
- Fixtures may be coupled for continuous runs without additional accessories
- Typically mounted on conduit



DIMENSIONS



ORDERING

EXAMPLE: AOD 48 LED 32 DMV 30

AOD		LED			
1. SERIES	2. SIZE	3. GEAR	4. WATTAGE/LUMENS	5. DRIVER	6. COLOR TEMP
AOD	48 48" 96 96"	LED	48 inch 32 32 Watts 3200 Lumens 48 48 Watts 4800 Lumens 57 57 Watts 5700 Lumens 96 inch 65 65 Watts 6500 Lumens 96 96 Watts 9600 Lumens 114 114 Watts 11400 Lumens	DMV 120-277VAC 0-10V Dimmable	30 3000K 40 4000K 50 5000K

Dimensions and specifications subject to change without notice.





JOB NAME:

CAT#:

TYPE:

INSTALLATION

TYPICAL INSTALLATIONS

BUILDING MOUNTING

SADDLE STRAP ANCHORED TO COPING (BY OTHERS)

3/4" PIPE-CONDUIT MOUNTING ARM (BY OTHERS)

ROOF

BUILDINGS

A natural for store-front and service station lighting. With this unit the store-front or service station is lighted uniformly from roof to grade.

BILLBOARD MOUNTING

CONDUIT STRAP (BY OTHERS)

CONDUIT MOUNTING ARM (BY OTHERS)

SUPPORT & LOCKING BRACKET (BY OTHERS)

REMOTE BALLAST BOX

ELECTRICAL TO SUPPLY

MOUNTING AS VIEWED FROM REAR OF BILL BOARD

BILLBOARDS

Balanced high light output gives the advertising message greater impact. Copy and illustrations stand out and color distortion is virtually eliminated. Complete vertical surface is covered with a minimum of graduation and "hot spots" are eliminated.

LUMINAIRE SPACING AND MOUNTING

1. Dim. C should not exceed dimensions of A.
2. Dim. B should be twice the dimension of A.
3. If Dim. B exceeds 15 ft. then luminaires should be installed at top and bottom of area to be illuminated.
4. Angle of Dim. D should be 45° if dimensions are as outlined in paragraph No. 2. If Dim. A is four times less than Dim. B then angle should be 22.5°.

INDIVIDUAL

CONTINUOUS RUN

Dimensions and specifications subject to change without notice.

