



JOB NAME:

CAT#:

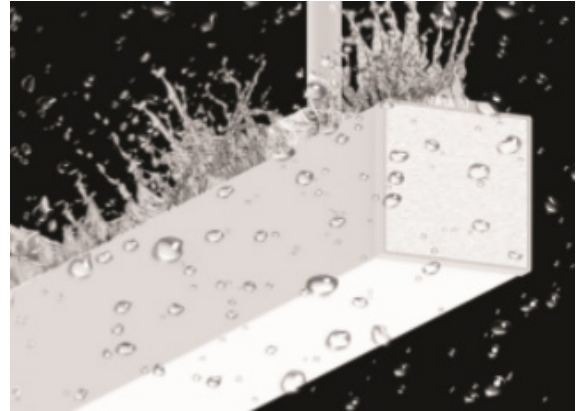
TYPE:

APPLICATIONS

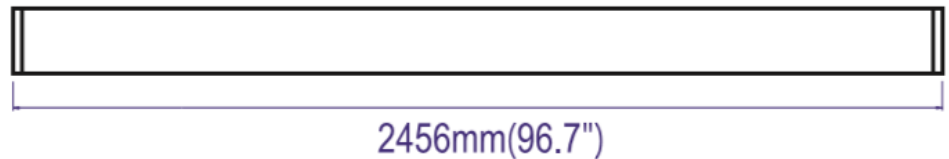
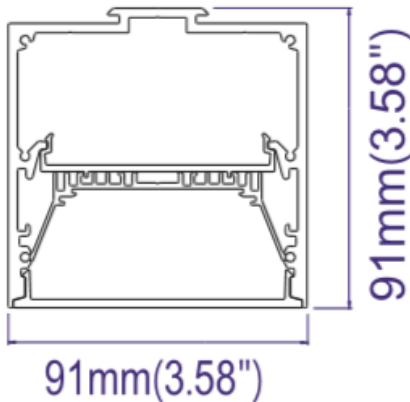
Now bring your exterior applications to life with a special designed wet location linear pendant. This aluminum extrusion is 3.5" wide for a bold yet minimal look with a sealed lens to keep out moisture and bugs.

FEATURES & BENEFITS

- Aluminum 6063, good heat radiation with long lifespan
- Waterproof IP66
- Anti-Collision LLevel IK10
- Support 0-10V, PWM and resistor dimming solution
- High lighting efficiency
- Long lifespan, >50,000 hours
- Light sources adopts LM-80 certified LED
- Adopt UL Class P certified power supply



DIMENSIONS



Dimensions and specifications subject to change without notice.



JOB NAME:

CAT#:

TYPE:

ORDERING

EXAMPLE: AIOCSW-48LED45DMVSA30

AIOCSW

LED

1. SERIES	2. SIZE	3. GEAR	4. WATTAGE/LUMENS	5. DRIVER	6. FINISH	8. COLOR TEMP
AIOCSW	48 48"	LED	<u>48"</u>	DMV 0-10V Dimming 120-277VAC Multivolt	WH White	30 3000k
	96 96"		45 45 Watts 5000 Lumens		SA Silver	40 4000K
	<u>96"</u>		90 90 Watts 10300 Lumens		BK Black	50 5000K

ACCESSORIES

- AIOCSURF¹** Surface Mount Screw and Toggle Set of 3 (Includes 24 Inch Power Cord)
- A-HCPF606WH5W²** Pendant Mounting Power Feed Canopy Kit 5 Wire For Up To 6' Drop
- A-HCPF612WH5W²** Pendant Mounting Power Feed Canopy Kit 5 Wire For Up To 12' Drop
- A-HCNPF606WH** Pendant Mounting Non-Power Canopy Kit, 6' Cable With Canopy
- A-HCNPF612WH** Pendant Mounting Non-Power Canopy Kit 12' Cable With Canopy

¹Included with channels only need to purchase for replacements
²Use one power feed canopy kit for every power drop. Non-power feed version is ordered separately for mounting where no power feed is required

Lumens are subject to a tolerance of ±10% and not relevant to RGB
 Input wattage can vary depending on options
 Dimensions and specifications subject to change without notice.

Dimensions and specifications subject to change without notice.