



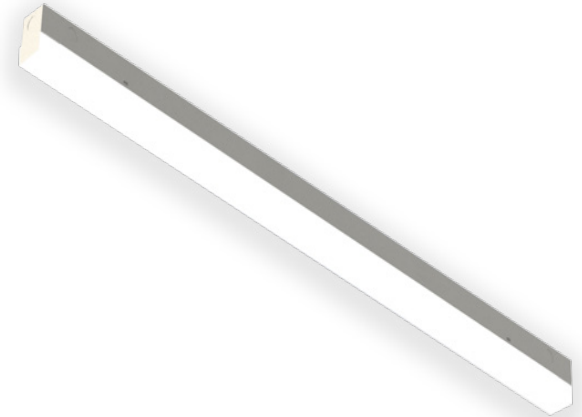
JOB NAME:

CAT#:

TYPE:

### APPLICATIONS

Economical LED enclosed strip ideal for providing energy efficient lighting with low maintenance and long life. Highly engineered for quick installation with multiple knockouts, flip down ballast cover for easy wiring and specially designed lens tabs for lens installation. Lens is formulated to maximize light output and minimize direct glare LED image is visible but output is enhanced. Available in nominal 2', 4' and 8' versions for individual or continuous runs. White is standard finish but other power coating finish are available.



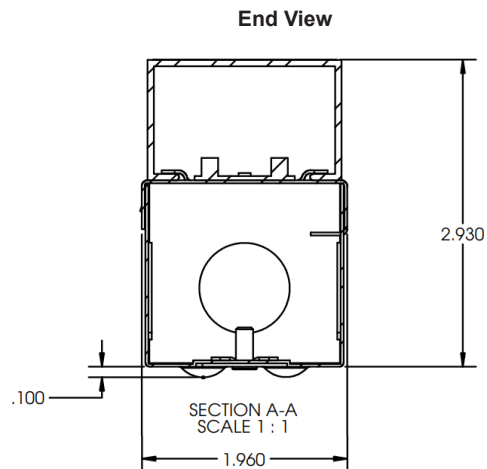
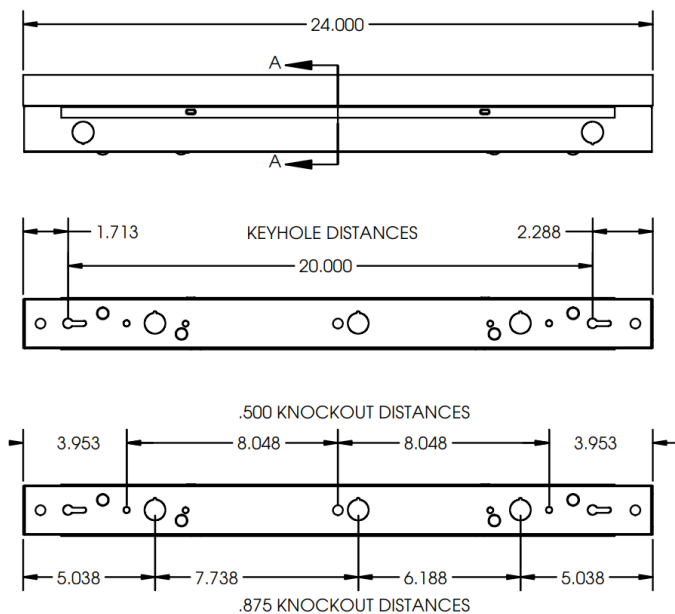
### FEATURES & BENEFITS

- Fully assembled housing is formed and welded 22 gauge steel chemically treated to resist corrosion and enhance paint adhesion
- Surface or pendant mount-horizontal or vertical
- Available in white or other finishes
- Available with smooth frosted lens to maximize light output
- Multiple knockouts for easy installation
- Knockouts on back accept standard electrical fittings (by others) Consult factory for other options.

### DIMENSIONS

24"L x 1.96"W x 2.93"H  
46"L x 1.96"W x 2.93"H  
92"L x 1.96"W x 2.93"H

2 FT. DIMENSION



Dimensions and specifications subject to change without notice.



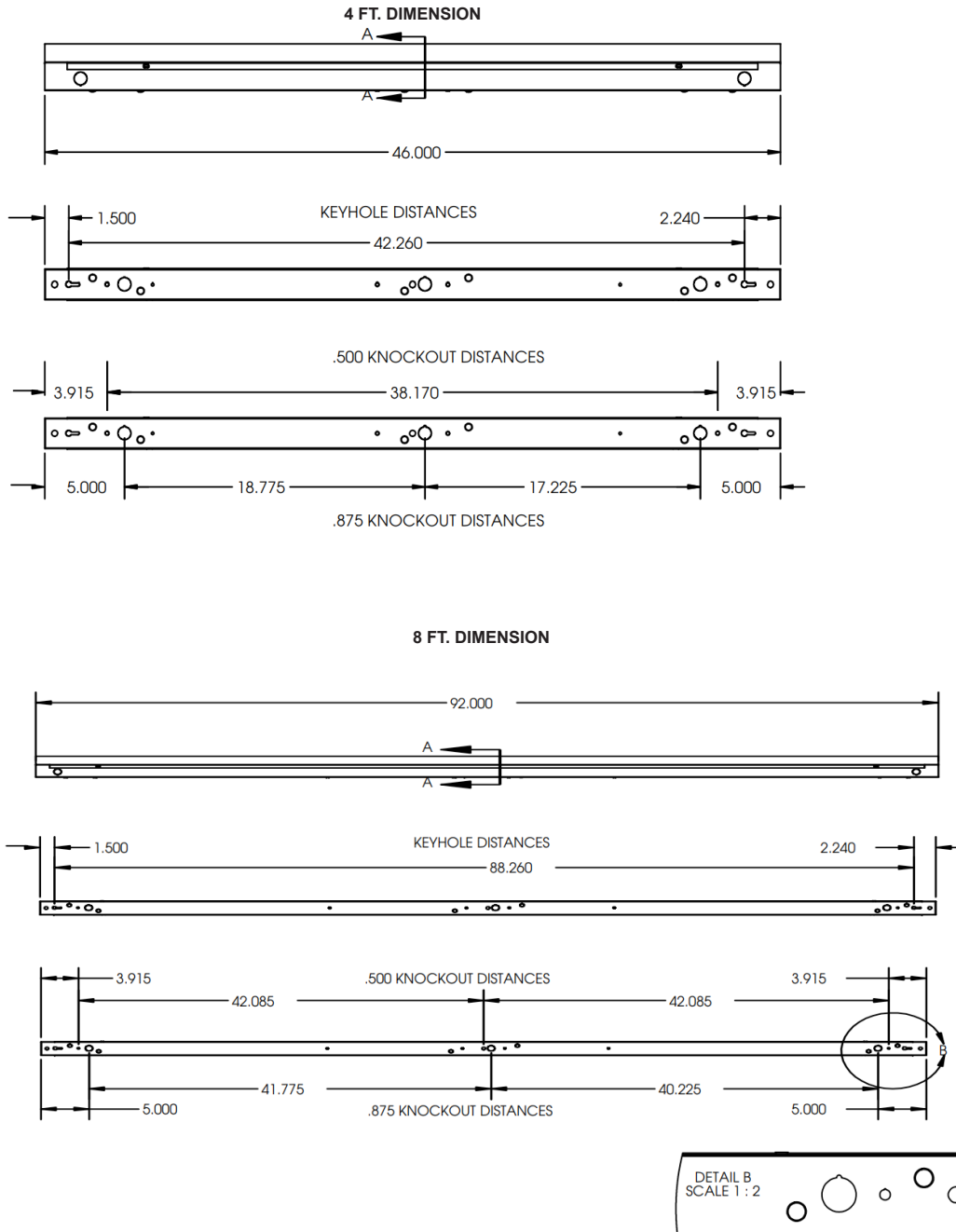


JOB NAME:

CAT#:

TYPE:

**DIMENSIONS**



Dimensions and specifications subject to change without notice.





**JOB NAME:**

**CAT#:**

**TYPE:**

**ORDERING**

EXAMPLE: 42E 24 LED 12 DMV WH FR 30 H4W

42E		LED										
1. SERIES	2. SIZE	3. GEAR	4. WATTAGE/LUMENS	5. DRIVER	6. FINISH	7. LENS	8. COLOR TEMP					
42E	24 24"	LED	<b>2 ft.</b>	DMV 120-277V Multivolt 0-10V Dimmable	WH White BK Black BN Brushed Nickel BZ Bronze	FR Frosted	30	3000K				
	48 48"		12				12 Watts 1200 Lumens		35	3500K		
	96 96"		24				24 Watts 2600 Lumens		40	4000K		
			<b>4 ft.</b>				28	28 Watts 2700 Lumens		50	5000K	
							35	35 Watts 3400 Lumens				
							48	48 Watts 5100 Lumens				
			<b>8 ft.</b>				57	57 Watts 5400 Lumens				
							62	62 Watts 6200 Lumens				
							72	72 Watts 7000 Lumens				
							96	96 Watts 10200 Lumens				

**9. HANGING KIT (O)'**

- H4W** HC301 cable kit with 4' cable & 3 wire power feed/cable incl. & white canopy
- H12W** HC302 cable kit with 12' cable & 3 wire power feed/cable incl. & white canopy
- H4W5** HC301 cable kit with 4' cable & 5 wire power feed/cable incl. & white canopy
- H12W5** HC302 cable kit with 12' cable & 5 wire power feed/cable incl. & white canopy
- 2SCS24WH** Two stem kits with 24" stem, canopy, and mounting hardware for a 4' fixture

**Cable Kit Includes:**

- 1- power feed kit w/ 4' or 12', 3 or 5 wire power cable, canopy, and mounting kit
- 1- non-power feed kit w/ 4' or 12' non-powerfeed cable, canopy, and mounting kit

\*Replace "W" with "B" for black canopy. Consult for more color options.

\*\*See Cable Kit Spec Sheet for more cable kit information

**Notes:**

<sup>1</sup>(O) is optional

Dimensions and specifications subject to change without notice.

