



JOB NAME:

CAT#:

TYPE:

APPLICATIONS

This premium grade LED industrial fixture is great for use in indoor applications such as factories, warehouses, workshops, garages and utility areas where concentrated light output is required.

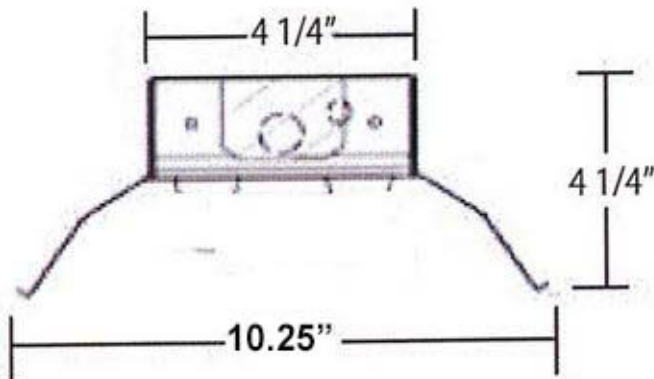
The housing is die-formed from cold rolled steel. The finish is high reflectance baked white enamel. A versatile end plate doubles as coupler for continuous row mounting, and the reflector is one single piece. Knockouts are provided for flexible conduit attachment. _cETL_{US} listed for damp location.



FEATURES & BENEFITS

- Single unit or continuous row mounting capability
- Versatile end plates doubles as coupler for precise continuous row mounting
- Available in 4 ft & 8 ft lengths (consult for other options)
- Surface, stem or chain mountable
- _cETL_{US} listed for damp location
- Min CRI 82

DIMENSIONS



Lumens are subject to a tolerance of ±10% and not relevant to RGB
Input wattage can vary depending on options
Dimensions and specifications subject to change without notice.





JOB NAME:

CAT#:

TYPE:

ORDERING

EXAMPLE: 1 48 LED 30 DMV 35

1		LED						
1. SERIES	2. SIZE	3. GEAR	4. WATTAGE/LUMENS		5. DRIVER		6. COLOR TEMP	
1	48 48" long 96 96" long	LED	<u>4 ft.</u>		DMV	120-277V Multivolt 0-10V Dimmable	30	3000K
			24	24 Watts 3475 Lumens	SDMV	Step dimming Multivolt	35	3500K
			30	30 Watts 4310 Lumens			40	4000K
			35	35 Watts 4920 Lumens	DHV	347-480VAC 0-10V Dimming	50	5000K
			48	48 Watts 6475 Lumens	D347V	347VAC 0-10V Dimming		
			57	57 Watts 7755 Lumens	TDMV	Triac Dimming 120-277VAC		
			<u>8 ft.</u>		D120	Triac Dimming 120VAC		
			24	24 Watts 3475 Lumens	D277	Triac Dimming 277VAC		
			48	48 Watts 6475 Lumens				
			57	57 Watts 7755 Lumens				
			70	70 Watts 9840 Lumens				
			97	97 Watts 12950 Lumens				
			118	118 Watts 15510 Lumens				

7. EMERGENCY (O) ¹		8. SENSOR (O) ¹		9. CORD (O) ¹		10. UPLIGHT	
EM	Emergency Battery Pack 10W ~ 1700 Lumens	OS	Occupancy Sensor	CS	Cord 18/3 6'	UP	Uplight
EM5	Emergency Battery Pack 5W ~ 850 Lumens			*See chart below for whip & cord ordering options			
EM4F	Emergency Battery Pack ~500 Lumens						

*Cord & Whip Ordering Chart (Add to End of Fixture Part Number)						
Part No.	# of Wires	Length	End Fitting	Finish	Voltage	Amps (TL Only)
WP - Whip	(Blank) 3 Wire	(Blank) 6 feet	(Blank) No Plug	BK - Black	(Blank) 120-277V	15 - 15 Amps
CS - Cordset	4 - 4 Wire	8 - 8 feet	P* - Standard	WH - White	120 - 120V	20 - 20 Amps
	5 - 5 Wire	10 - 10 feet	Plug		277 - 277V	
	6 - 6 Wire	12 - 12 feet	TL* - Twist Lock		347 - 347V	
		15 - 15 feet			480 - 480V	

ACCESSORIES

- A144-2 (2)V-hooks & (2) 2ft. chains
- A71 1 & 2 lamp wireguards 4ft.²
- A72 3 & 4 lamp wireguards 4ft.²

Notes:

¹(O) is optional
²Order 2 for 8ft.

Lumens are subject to a tolerance of ±10% and not relevant to RGB
Input wattage can vary depending on options
Dimensions and specifications subject to change without notice.

